



Chipsmall Limited consists of a professional team with an average of over 10 year of expertise in the distribution of electronic components. Based in Hongkong, we have already established firm and mutual-benefit business relationships with customers from,Europe,America and south Asia,supplying obsolete and hard-to-find components to meet their specific needs.

With the principle of “Quality Parts,Customers Priority,Honest Operation,and Considerate Service”,our business mainly focus on the distribution of electronic components. Line cards we deal with include Microchip,ALPS,ROHM,Xilinx,Pulse,ON,Everlight and Freescale. Main products comprise IC,Modules,Potentiometer,IC Socket,Relay,Connector.Our parts cover such applications as commercial,industrial, and automotives areas.

We are looking forward to setting up business relationship with you and hope to provide you with the best service and solution. Let us make a better world for our industry!



Contact us

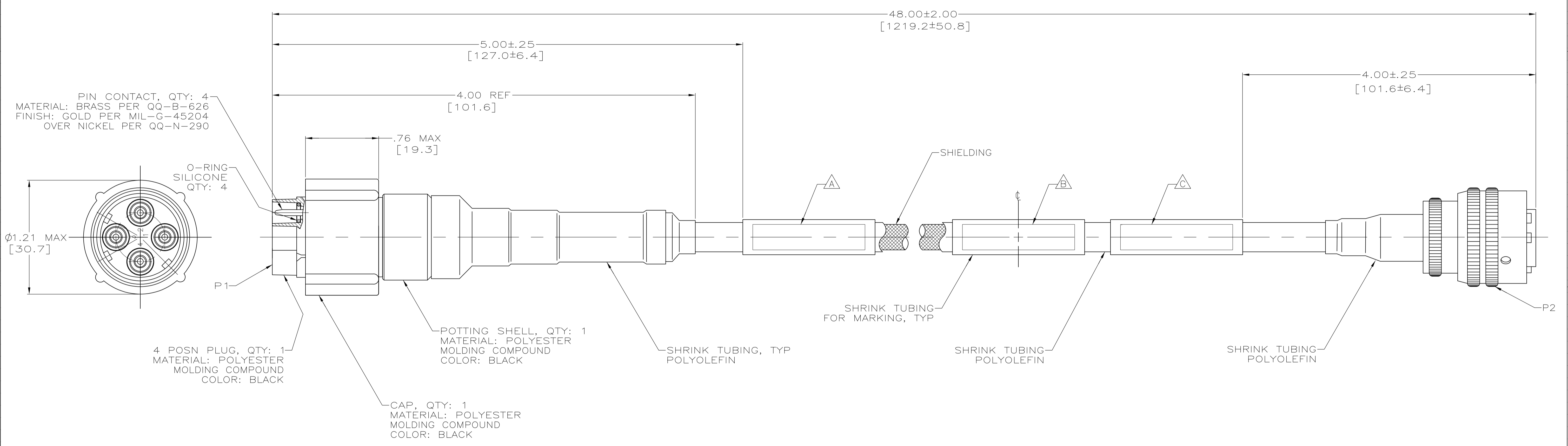
Tel: +86-755-8981 8866 Fax: +86-755-8427 6832

Email & Skype: info@chipsmall.com Web: www.chipsmall.com

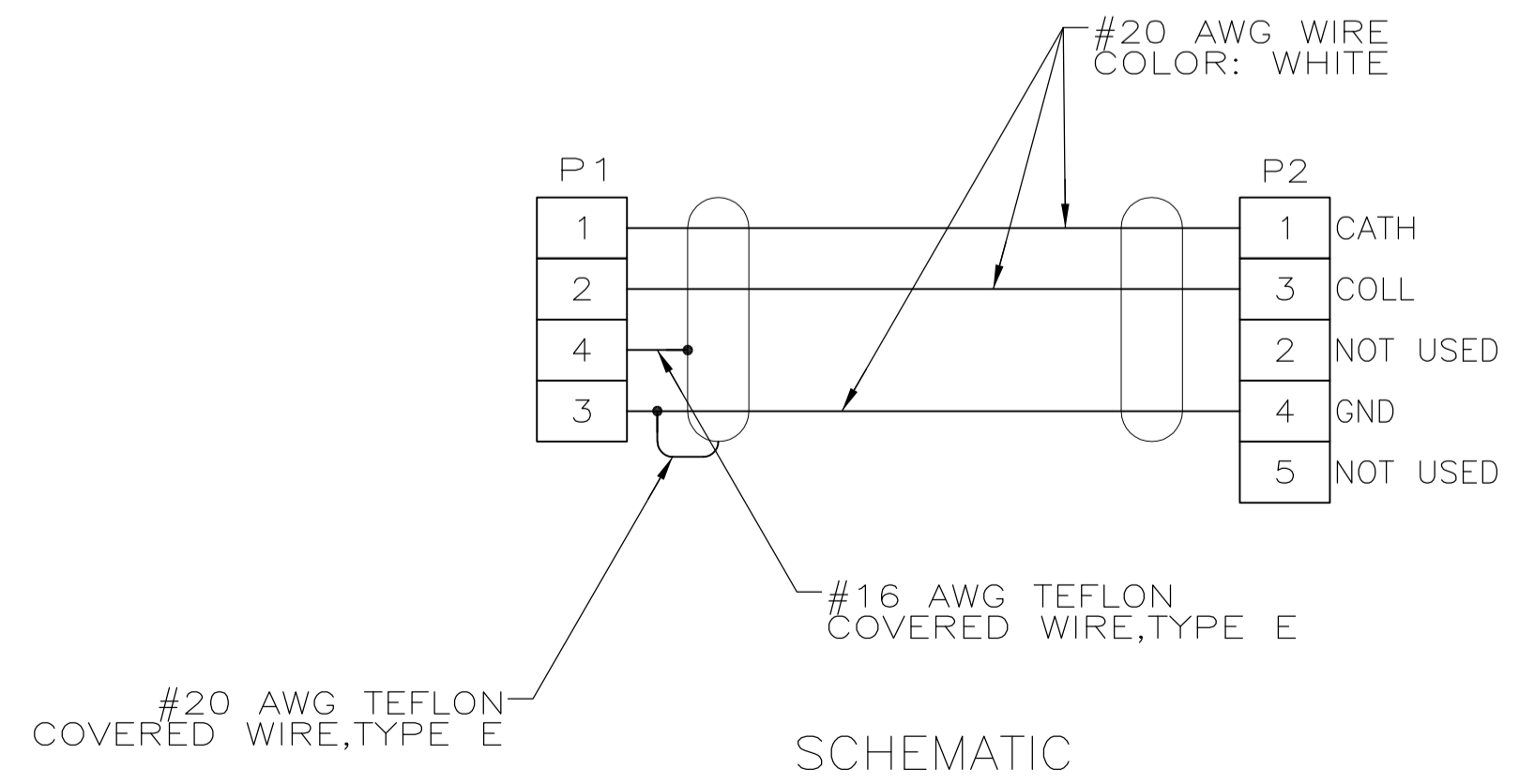
Address: A1208, Overseas Decoration Building, #122 Zhenhua RD., Futian, Shenzhen, China



REVISONS		DATE	OWN	APVD
LOC	DIST	DESCRIPTION		
D		REV PER CEO-07-019089	14SEP07	PY DE



- SPECIAL MARKING PER MIL-STD-130.
- OPERATING VOLTAGE: 5 KVDC.



SCHEMATIC

P2 MATES WITH J2 ON UUT	HV CABLE ASSEMBLY 18323ASSY989C008H02 SER NO MFR AMP 00779	P1 MATES WITH DR TWT LOAD (J7) ON TEST INTERFACE PANEL	447324-1
\triangle	\triangle	\triangle	PART NO.
SPECIAL MARKING	SPECIAL MARKING	SPECIAL MARKING	

THIS DRAWING IS A CONTROLLED DOCUMENT.		DWN T. SHUEY 7-11-90	Tyco Electronics Corporation Tyco Electronics Corporation Harrisburg, PA 17105-3608	
DIMENSIONS: INCHES	TOLERANCES UNLESS OTHERWISE SPECIFIED:	CHK C. SHELLY 7-11-90	APVD C. SHELLY 7-11-90	NAME CABLE ASSEMBLY, PLUG 4 POSN, DOUBLE END, LGH
0 PLC ± -	1 PLC ± -	2 PLC ± -	3 PLC ± -	4 PLC ± -
ANGLES ± -				
MATERIAL	FINISH	WEIGHT	SIZE A1 00779	CAGE CODE 447324
			RESTRICTED TO	
CUSTOMER DRAWING			SCALE 2:1	SHEET 1 OF 1