



Chipsmall Limited consists of a professional team with an average of over 10 year of expertise in the distribution of electronic components. Based in Hongkong, we have already established firm and mutual-benefit business relationships with customers from,Europe,America and south Asia,supplying obsolete and hard-to-find components to meet their specific needs.

With the principle of “Quality Parts,Customers Priority,Honest Operation,and Considerate Service”,our business mainly focus on the distribution of electronic components. Line cards we deal with include Microchip,ALPS,ROHM,Xilinx,Pulse,ON,Everlight and Freescale. Main products comprise IC,Modules,Potentiometer,IC Socket,Relay,Connector.Our parts cover such applications as commercial,industrial, and automotives areas.

We are looking forward to setting up business relationship with you and hope to provide you with the best service and solution. Let us make a better world for our industry!



Contact us

Tel: +86-755-8981 8866 Fax: +86-755-8427 6832

Email & Skype: info@chipsmall.com Web: www.chipsmall.com

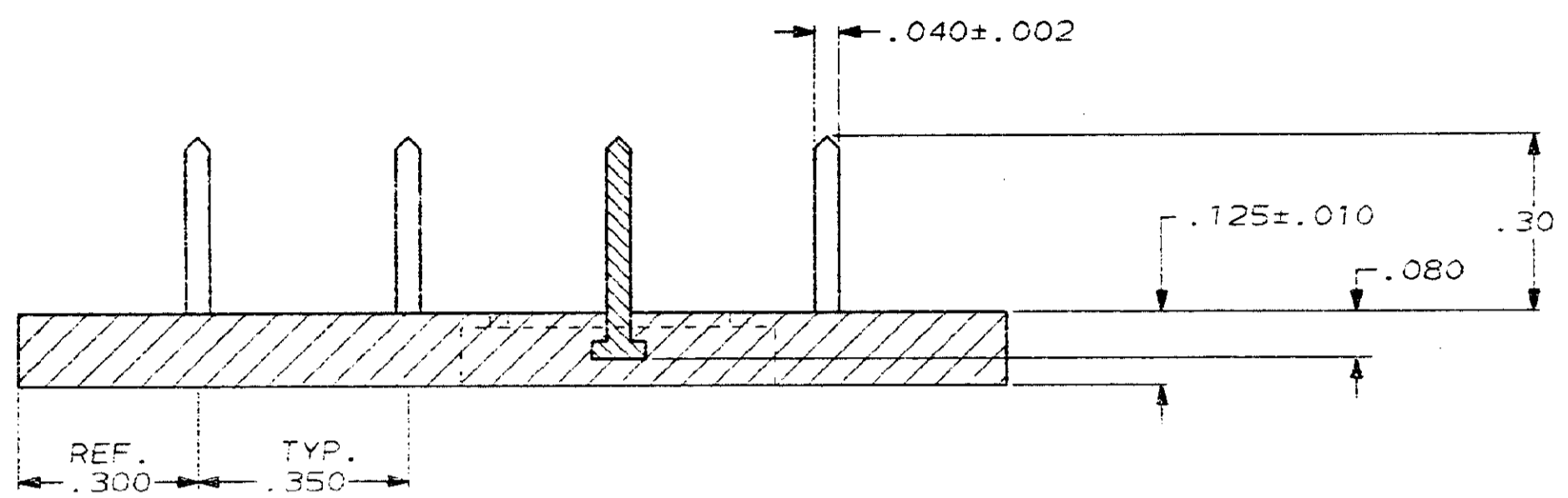
Address: A1208, Overseas Decoration Building, #122 Zhenhua RD., Futian, Shenzhen, China



DRAWING MADE IN THIRD ANGLE PROJECTION

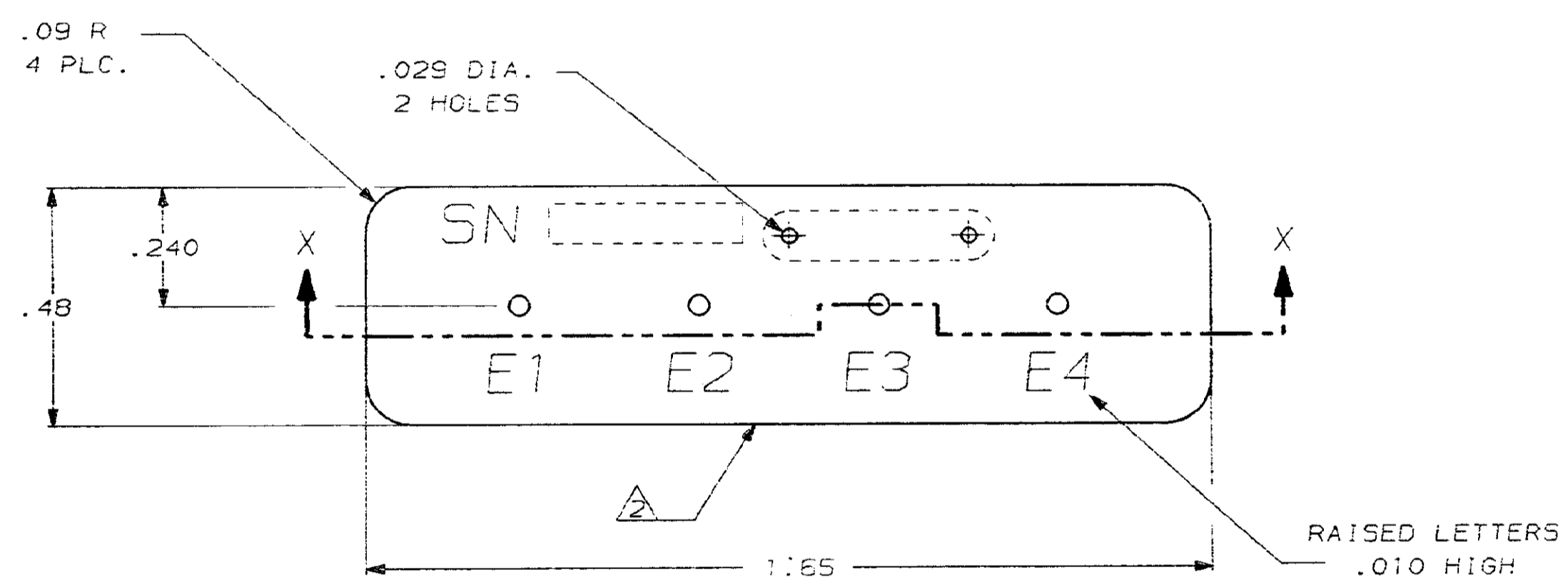
THIS DRAWING IS UNPUBLISHED. RELEASED FOR PUBLICATION .19
 © COPYRIGHT 19 BY AMP INCORPORATED. ALL INTERNATIONAL RIGHTS RESERVED.

LOC		DIST		REVISIONS			
P	F	ZONE	LTR	DESCRIPTION	DATE	APPD	
DF	A1			C	5-29-91	DES	REVISED PER ECN DF-4405
				D	02-18-92	ETG	REV PER ECN DF-5896



SECTION X-X

- ⚠ MATERIAL: GLASS FILLED THERMOPLASTIC VO RATED. COLOR: BLACK, PER MIL-M-24519.
- ⚠ CUSTOMER P/N, "AMP" AND DATE CODE LOCATED IN THIS APPROXIMATE AREA.



11750895	447381-1
CUSTOMER PART NO.	PART NO
AMP AMP Incorporated Harrisburg, PA 17105-3508	
NAME FUZE SYSTEM CONNECTOR TERMINAL BOARD ASSY.	
SIZE C	CAGE CODE 00779
DRAWING NO 447381	SHEET 1 OF 1
SCALE 4:1	

DO NOT SCALE PRINT. UNLESS SPECIFIED DIMENSIONS IN INCHES TOLERANCES ON: 2 PLC DEC ± .01 3 PLC DEC ± .005 ANGLES ± 1°	DR 8-4-90 D. DUDUKOVICH
	CHK 6-3-91 J. SCHOLZ
MATERIAL ⚠	APPD 6-3-91 J. SCHOLZ
	APPD 6-3-91 C. NIKOLOFF
FINISH -	PRODUCT SPEC -
	APPLICATION SPEC -
	WEIGHT -