



Chipsmall Limited consists of a professional team with an average of over 10 year of expertise in the distribution of electronic components. Based in Hongkong, we have already established firm and mutual-benefit business relationships with customers from,Europe,America and south Asia,supplying obsolete and hard-to-find components to meet their specific needs.

With the principle of “Quality Parts,Customers Priority,Honest Operation,and Considerate Service”,our business mainly focus on the distribution of electronic components. Line cards we deal with include Microchip,ALPS,ROHM,Xilinx,Pulse,ON,Everlight and Freescale. Main products comprise IC,Modules,Potentiometer,IC Socket,Relay,Connector.Our parts cover such applications as commercial,industrial, and automotives areas.

We are looking forward to setting up business relationship with you and hope to provide you with the best service and solution. Let us make a better world for our industry!



## Contact us

Tel: +86-755-8981 8866 Fax: +86-755-8427 6832

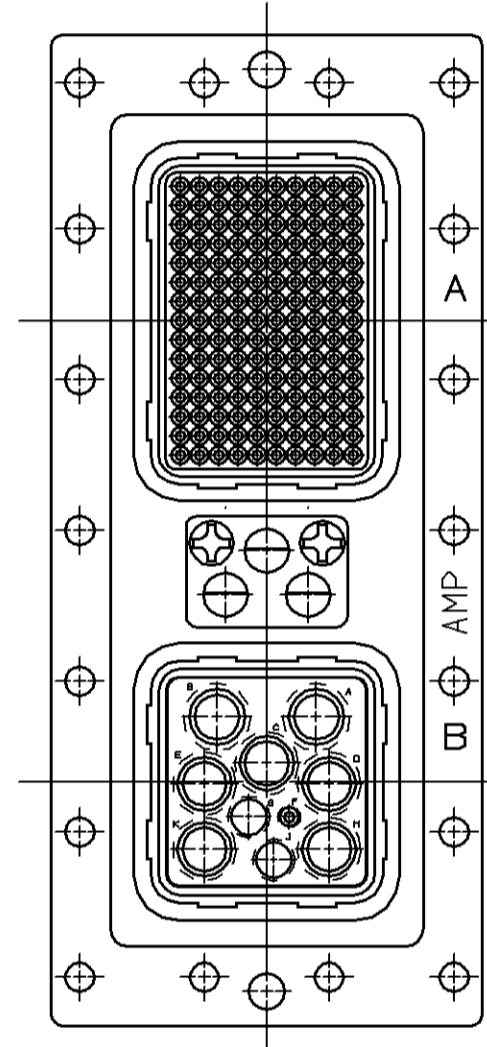
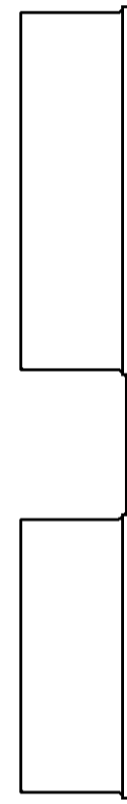
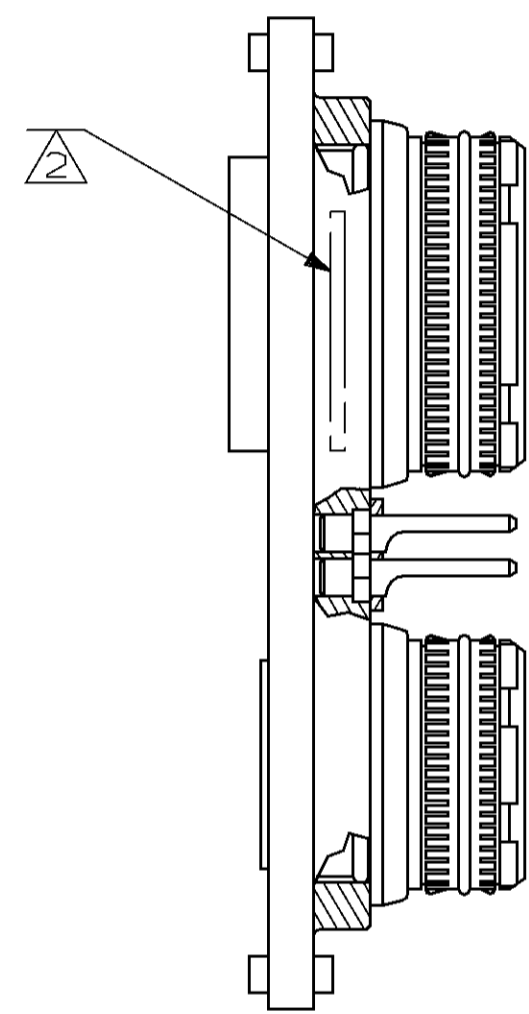
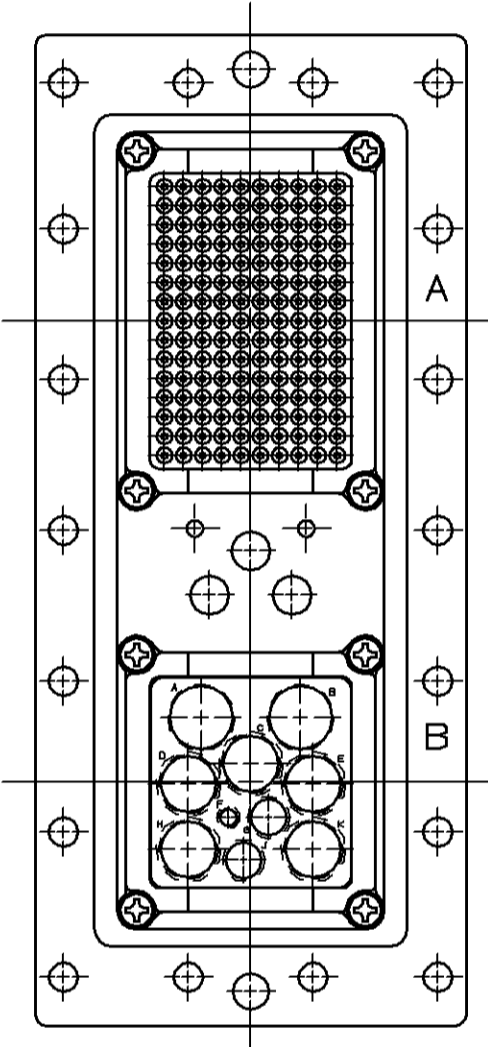
Email & Skype: info@chipsmall.com Web: www.chipsmall.com

Address: A1208, Overseas Decoration Building, #122 Zhenhua RD., Futian, Shenzhen, China



THIS DRAWING IS UNPUBLISHED. RELEASED FOR PUBLICATION, 19 .  
 © COPYRIGHT 19 BY AMP INCORPORATED. ALL INTERNATIONAL RIGHTS RESERVED.

PROD CODE	LOC	DIST	P	F	ZONE	LTR	DESCRIPTION	DATE	APPD
5993	DF	AO					RELEASED CT	1-96	AS



- KEYS AND HARDWARE ARE SHIPPED UNASSEMBLED IN A POLY BAG.
- AMP, AMP PART NO. AND DATE CODE INK STAMPED IN AREA SHOWN.
- CONTACTS ARE NOT INCLUDED IN THIS ASSEMBLY. MUST BE ORDERED SEPARATELY.

DO NOT SCALE PRINT. UNLESS SPECIFIED DIMENSIONS IN INCHES [mm]		DR 1-29-96 C.C. THOMAS		AMP INCORPORATED Harrisburg, Pa. 17105	
TOLERANCES ON :		CHK 2-5-96 A. SHARPE			
2 PLC DEC ± _____		APPD 2-5-96 A. SHARPE		NAME	
3 PLC DEC ± _____		RLSE 2-5-96 C.C. THOMAS		ASSEMBLY, PLUG, M600, SIZE 2A	
ANGLES ± _____		PRODUCT SPEC			
MATERIAL _____		APPLICATION SPEC		SIZE	CAGE CODE
FINISH _____		WEIGHT -		C	00779
				SCALE	DRAWING NO
				1:1	447432
					SHEET
					1 OF 1

447432-1

PART NO