



Chipsmall Limited consists of a professional team with an average of over 10 year of expertise in the distribution of electronic components. Based in Hongkong, we have already established firm and mutual-benefit business relationships with customers from,Europe,America and south Asia,supplying obsolete and hard-to-find components to meet their specific needs.

With the principle of "Quality Parts,Customers Priority,Honest Operation,and Considerate Service",our business mainly focus on the distribution of electronic components. Line cards we deal with include Microchip,ALPS,ROHM,Xilinx,Pulse,ON,Everlight and Freescale. Main products comprise IC,Modules,Potentiometer,IC Socket,Relay,Connector.Our parts cover such applications as commercial,industrial, and automotives areas.

We are looking forward to setting up business relationship with you and hope to provide you with the best service and solution. Let us make a better world for our industry!



## Contact us

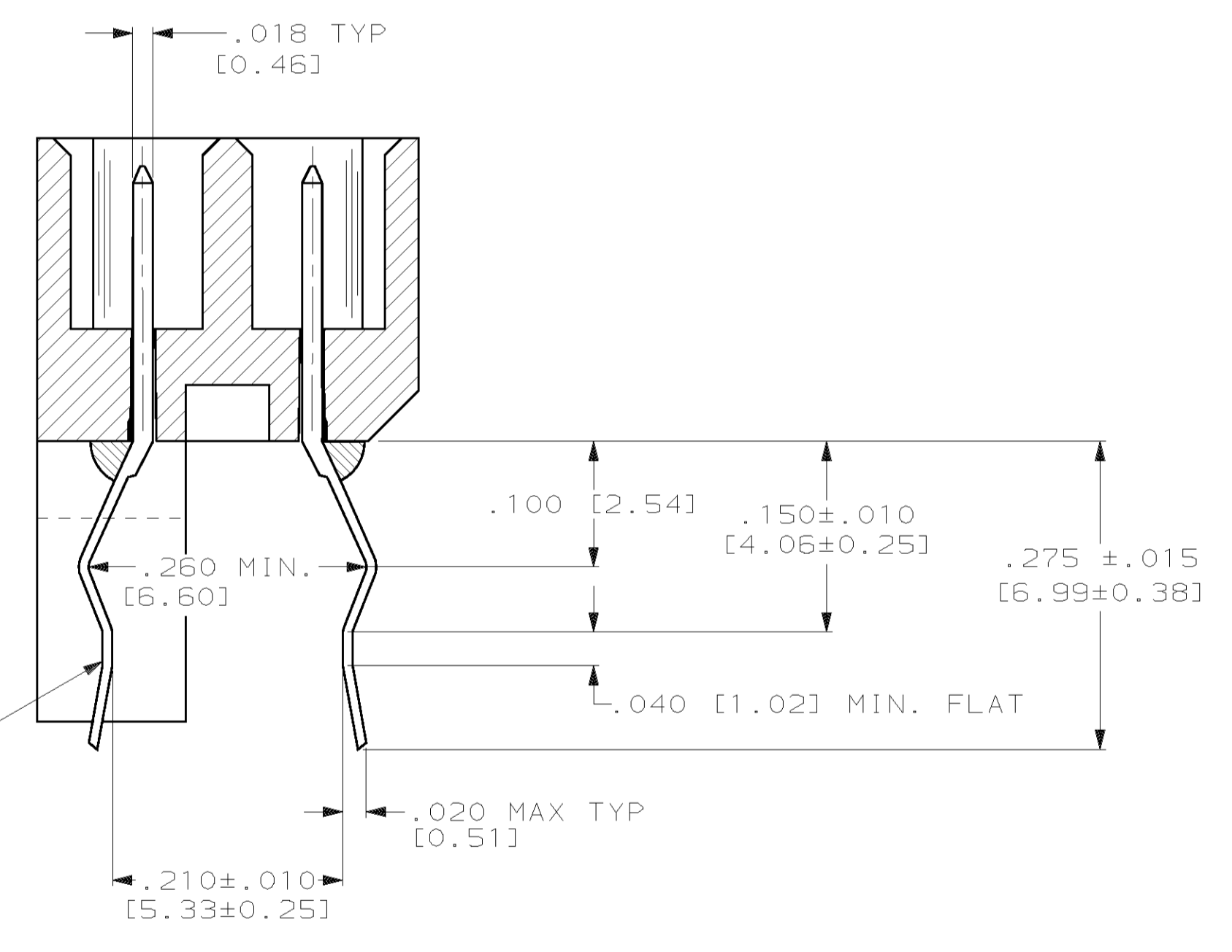
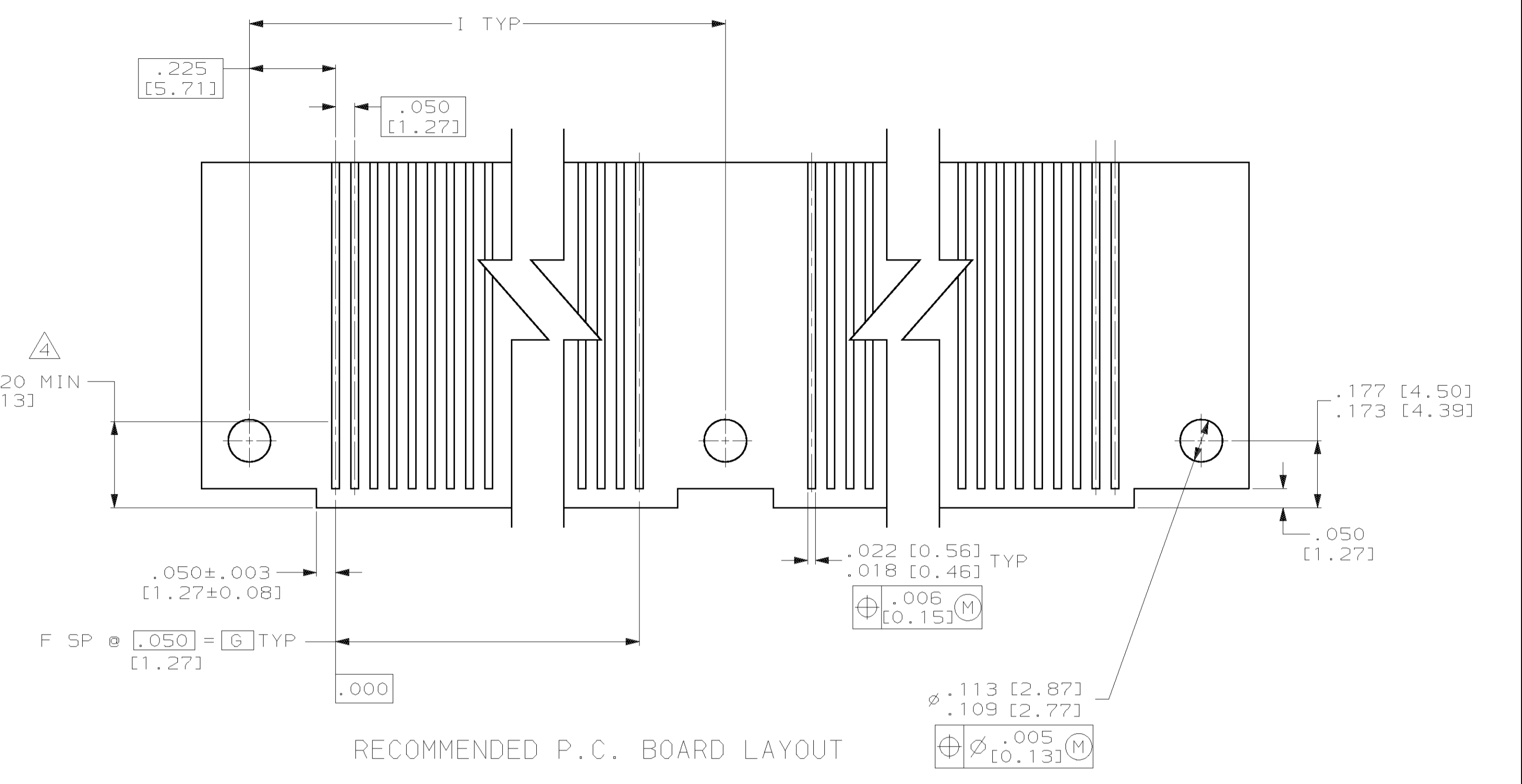
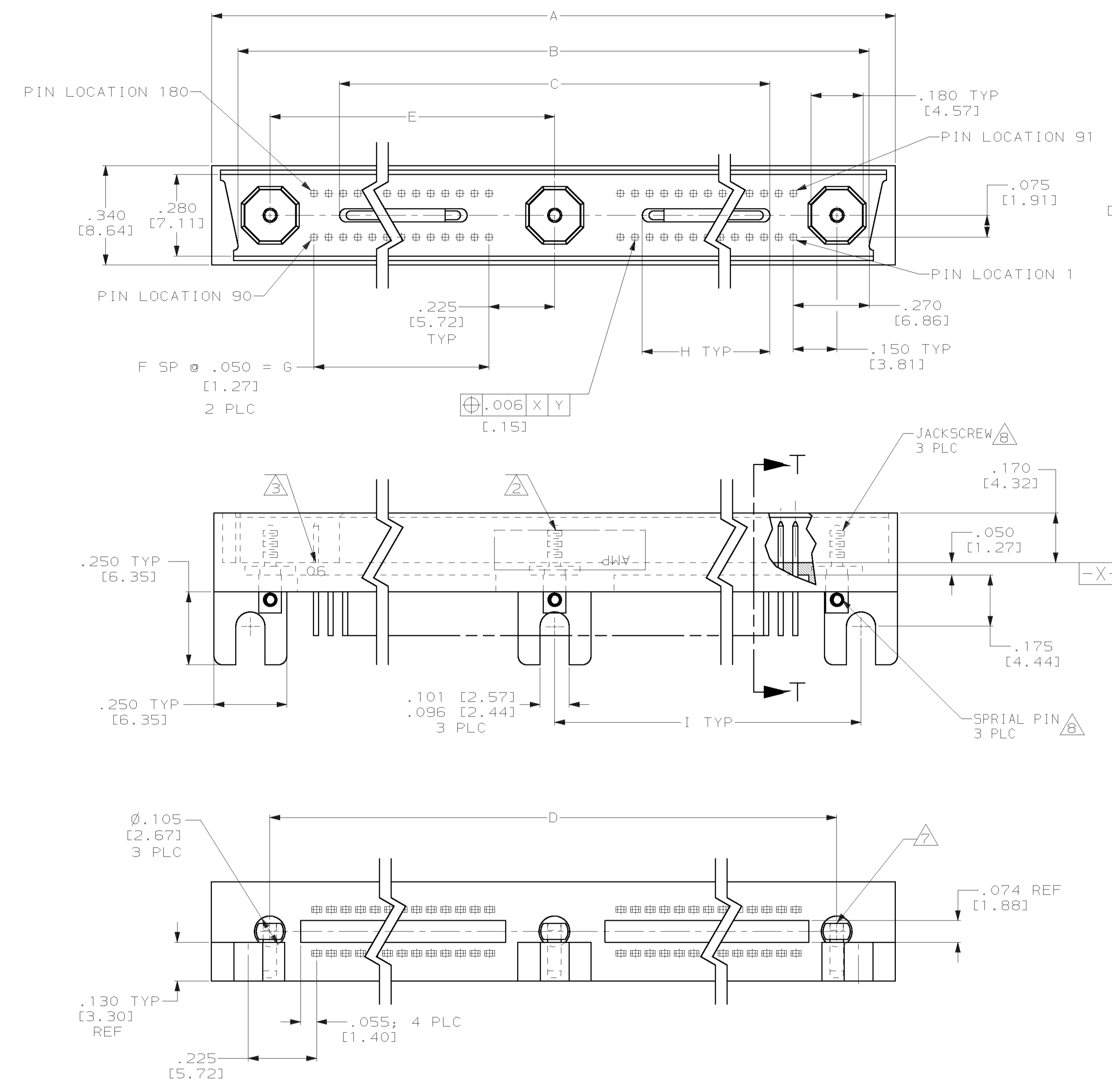
Tel: +86-755-8981 8866 Fax: +86-755-8427 6832

Email & Skype: info@chipsmall.com Web: www.chipsmall.com

Address: A1208, Overseas Decoration Building, #122 Zhenhua RD., Futian, Shenzhen, China



REVOLUTIONS		DATE	OWN	APPRO
DF	F0			
H	REV PER	OG3D-0525-03	3-04	CT DN



SECTION Y-Y  
 (SCALE 8:1)  
 ROT. CW90°

- CONNECTOR MEETS ALL APPLICABLE REQUIREMENTS OF MIL-C-55302.
- AMP, AMP PART NO. & DATE CODE MARKED IN THIS APPROXIMATE AREA.
- NUMBERS INDICATING END POSITIONS MARKED THIS SIDE ONLY.
- MINIMUM PAD LENGTH ON CIRCUIT BOARD.
- CONTACT FINISH: .000050 [0.0013] GOLD IN CONTACT AREA, TIN-LEAD ON CONTACT TAILS, ALL OVER NICKEL UNDERPLATE.
- HOUSING MATERIAL: LIQUID CRYSTAL POLYMER PER MIL-M-24519, GLCP-30F; COLOR: GRAY
- PIN TO BE FLUSH TO .010 RECESS. THIS SURFACE. -2 ONLY
- JACKSCREW AND SPIRAL PIN USED ON -2 ONLY.

1 & 80	2.400 [60.96]	1.790 [45.47]	1.950 [49.53]	39	2.325 [84.46]	4.650 [118.11]	4.190 [106.43]	4.890 [124.21]	5.050 [128.27]	160	447439-2
1 & 80	2.400 [60.96]	1.790 [45.47]	1.950 [49.53]	39	2.325 [84.46]	4.650 [118.11]	4.190 [106.43]	4.890 [124.21]	5.050 [128.27]	160	447439-1
CAVITY IDENT.	I	H	[G]	F	E	D	C	B	A	POSN.	PART NUMBER

AMP INCORPORATED  
 HARRISBURG, PA 17105-3608

**AMP**

C.C. THOMAS 2-1-96  
 D. GUTTER 2-2-96  
 D. GUTTER 2-2-96

PIN HEADER ASSEMBLY,  
 EXTENDED MINI-BOX,  
 160 POSN, CARD EXTENDER

SIZE: A1  
 CAGE CODE: 00779  
 DRAWING NO: 447439

CUSTOMER DRAWING  
 SCALE: 4:1  
 SHEET: 1 OF 1  
 REV: H