



Chipsmall Limited consists of a professional team with an average of over 10 year of expertise in the distribution of electronic components. Based in Hongkong, we have already established firm and mutual-benefit business relationships with customers from,Europe,America and south Asia,supplying obsolete and hard-to-find components to meet their specific needs.

With the principle of “Quality Parts,Customers Priority,Honest Operation,and Considerate Service”,our business mainly focus on the distribution of electronic components. Line cards we deal with include Microchip,ALPS,ROHM,Xilinx,Pulse,ON,Everlight and Freescale. Main products comprise IC,Modules,Potentiometer,IC Socket,Relay,Connector.Our parts cover such applications as commercial,industrial, and automotives areas.

We are looking forward to setting up business relationship with you and hope to provide you with the best service and solution. Let us make a better world for our industry!



## Contact us

Tel: +86-755-8981 8866 Fax: +86-755-8427 6832

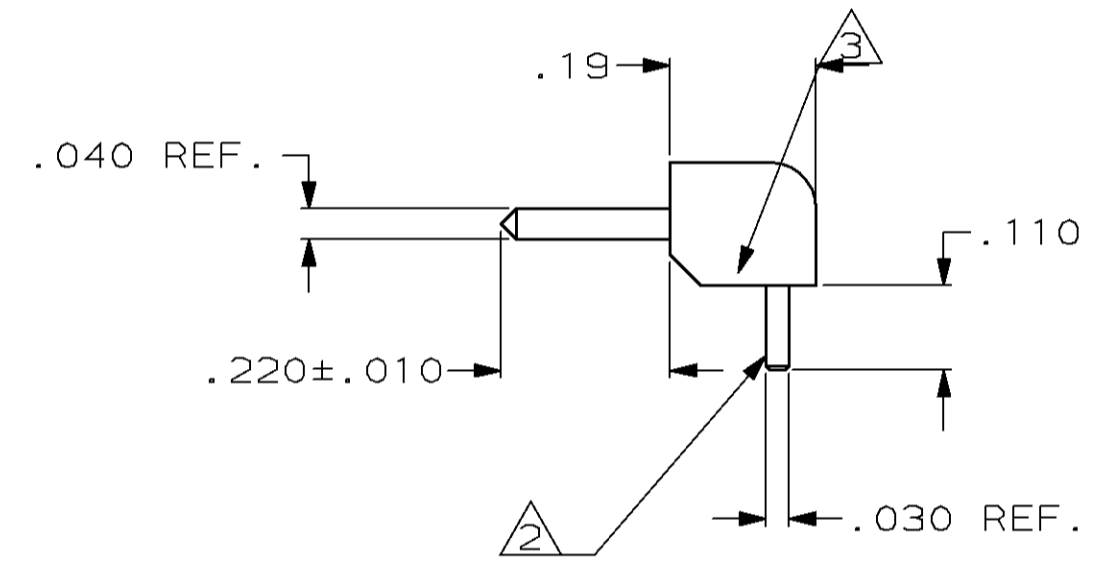
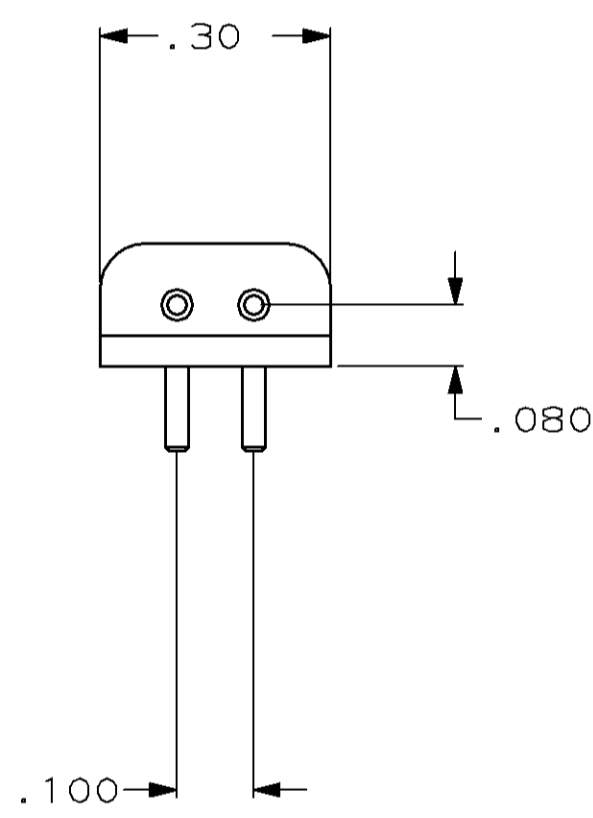
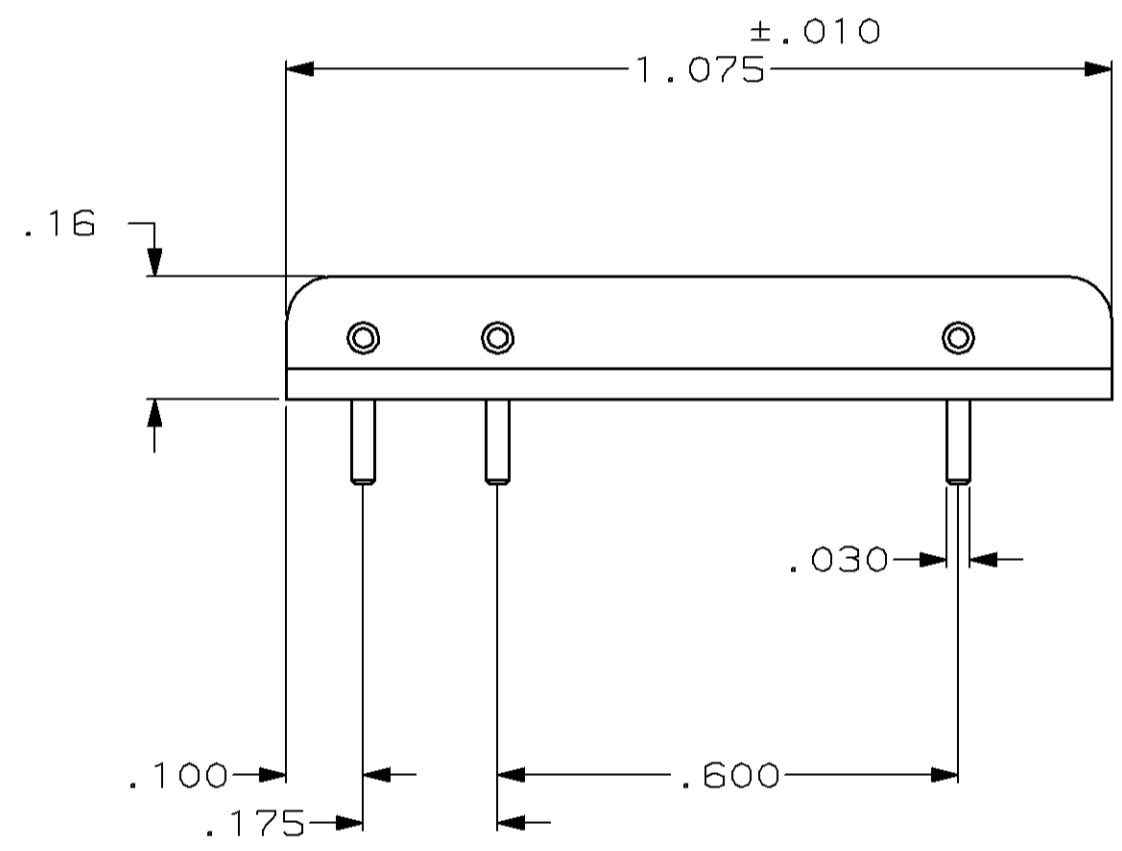
Email & Skype: info@chipsmall.com Web: www.chipsmall.com

Address: A1208, Overseas Decoration Building, #122 Zhenhua RD., Futian, Shenzhen, China



Loc	DIST	P	F	REVISIONS				
				ZONE	LTR	DESCRIPTION	DATE	APPD
DF	A1			C		REVISED PER ECN DF-4405	6-3-91	DES
				D		REV PER ECN DF-5896	02-18-92	DES
				E		REV PER 0600-6182-97 TT	22MAY98	RK

- ⚠ MATERIAL: GLASS FILLED THERMOPLASTIC VO RATED PER MIL-M-24519. COLOR: BLACK
- ⚠ THIS END SOLDER DIPPED IN ACCORDANCE WITH MIL STD 202, METHOD 208.
- ⚠ CUST P/N LOCATED IN THIS APPROXIMATE AREA. FOR -2 ONLY.



2	11750265		447463-4
2			447463-3
3	---	⚠	447463-2
3	11750893	447463-2 ⚠	447463-1

POS.	CUSTOMER PART NO	MATERIAL	PART NO
DO NOT SCALE PRINT. UNLESS SPECIFIED DIMENSIONS IN INCHES TOLERANCES ON: 2 PLC DEC ± .01 3 PLC DEC ± .005 ANGLES ± 1°		<b>AMP</b> AMP Incorporated Harrisburg, PA 17105-3608	
MATERIAL -		NAME FUZE SYSTEM CONNECTOR HEADER, RIGHT ANGLE	
FINISH -		SIZE C 00779	DRAWING NO 447463
APPLICATION SPEC -		SCALE 4:1	SHEET 1 OF 1
WEIGHT -			