



Chipsmall Limited consists of a professional team with an average of over 10 year of expertise in the distribution of electronic components. Based in Hongkong, we have already established firm and mutual-benefit business relationships with customers from,Europe,America and south Asia,supplying obsolete and hard-to-find components to meet their specific needs.

With the principle of “Quality Parts,Customers Priority,Honest Operation,and Considerate Service”,our business mainly focus on the distribution of electronic components. Line cards we deal with include Microchip,ALPS,ROHM,Xilinx,Pulse,ON,Everlight and Freescale. Main products comprise IC,Modules,Potentiometer,IC Socket,Relay,Connector.Our parts cover such applications as commercial,industrial, and automotives areas.

We are looking forward to setting up business relationship with you and hope to provide you with the best service and solution. Let us make a better world for our industry!



Contact us

Tel: +86-755-8981 8866 Fax: +86-755-8427 6832

Email & Skype: info@chipsmall.com Web: www.chipsmall.com

Address: A1208, Overseas Decoration Building, #122 Zhenhua RD., Futian, Shenzhen, China



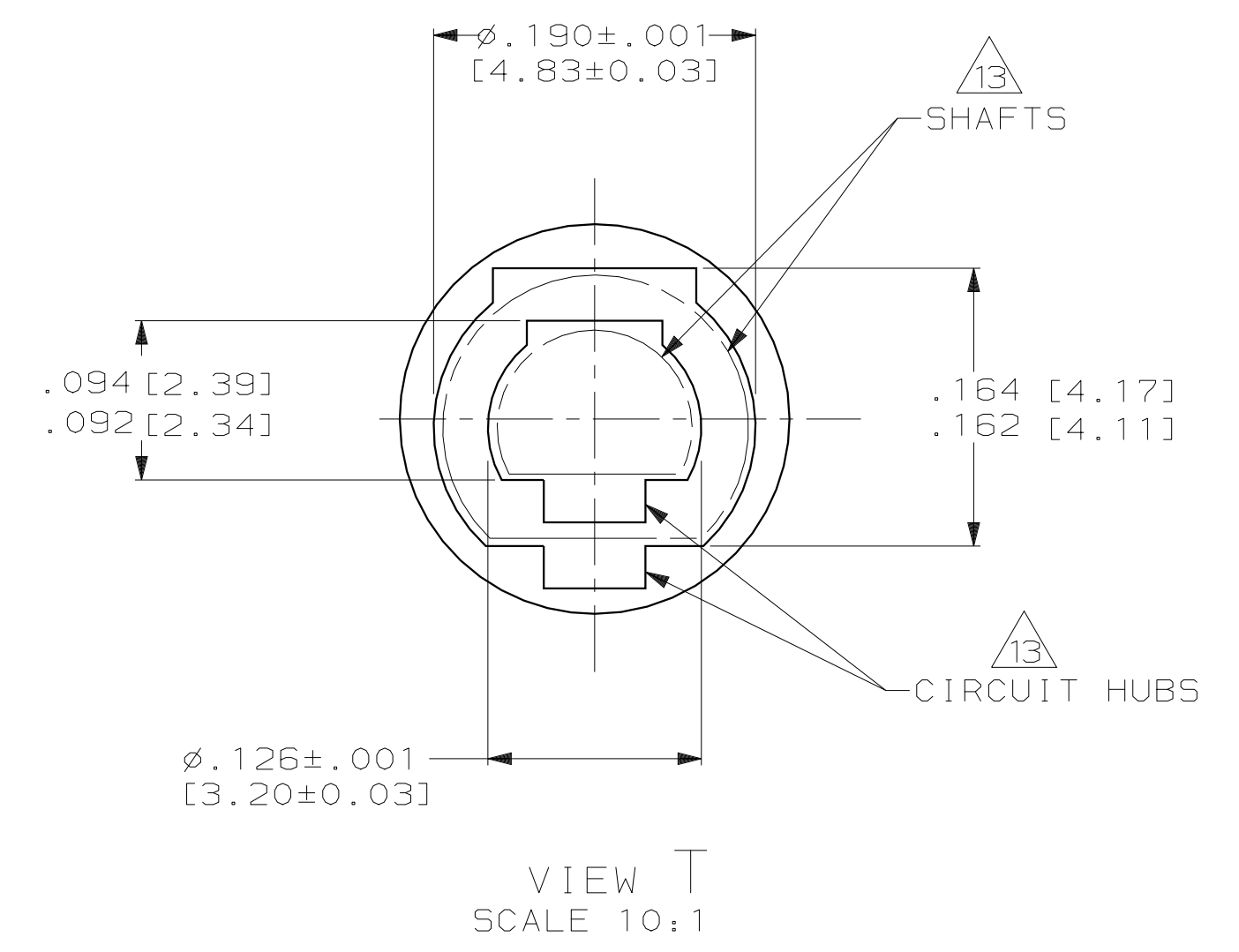
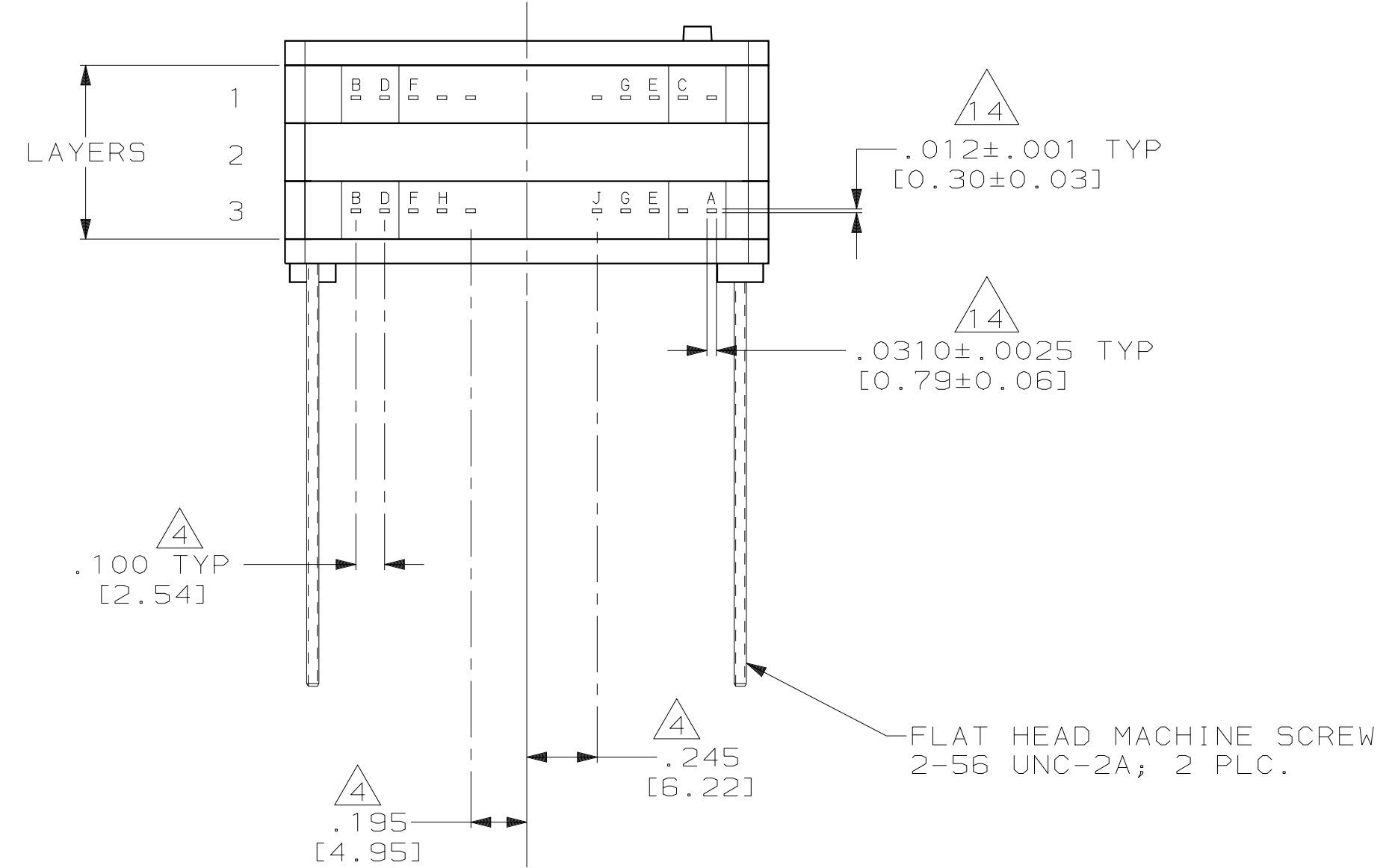
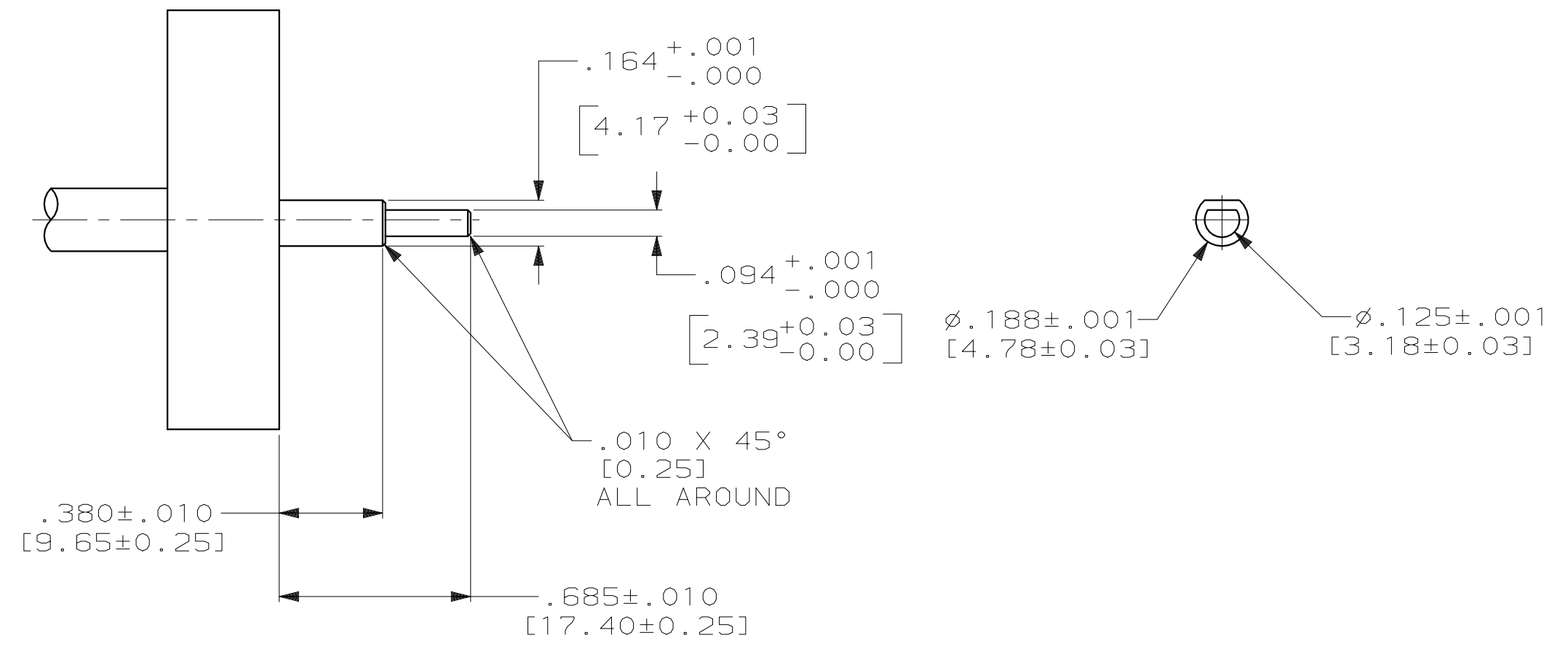
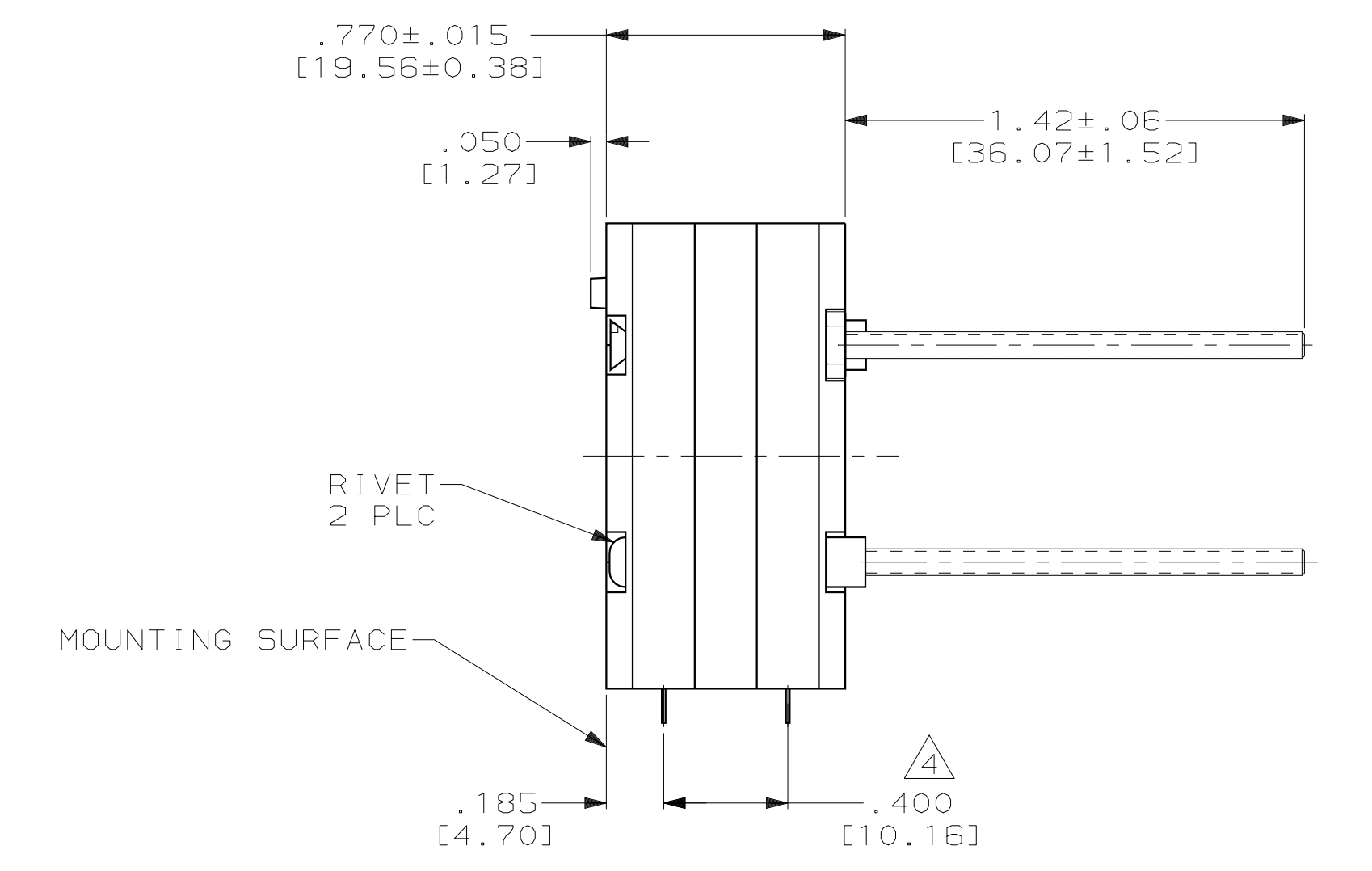
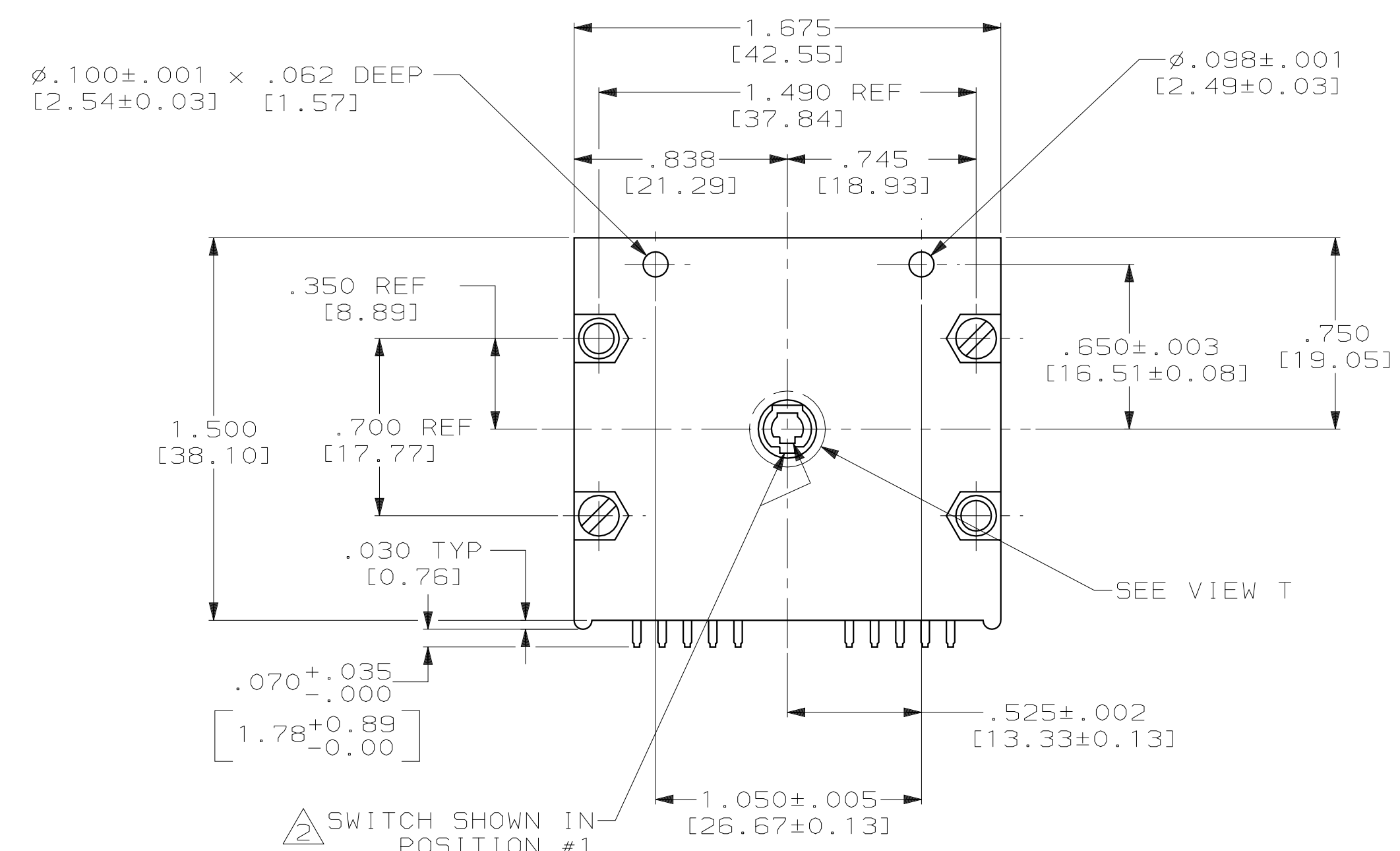
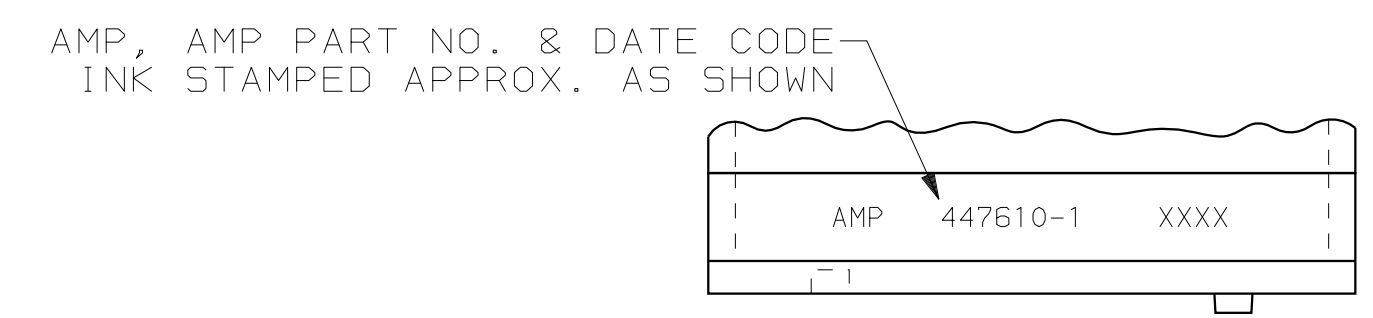
LOC	DIST	P	F	ZONE	LTR	REVISIONS	DESCRIPTION	DATE	APPD
DF	LO					E	REV PER ECO 05-10335 CT	6-06	SG

18 POSN. 20° THROW, LAYER 1
 ● = CLOSED TO RESPECTIVE COMMON

POSN.	B	C	D	E	F	G
1	●	●	●	●	●	●
2	●	●	●	●	●	●
3	●	●	●	●	●	●
4	●	●	●	●	●	●
5	●	●	●	●	●	●
6	●	●	●	●	●	●
7	●	●	●	●	●	●
8	●	●	●	●	●	●
9	●	●	●	●	●	●
10	●	●	●	●	●	●
11	●	●	●	●	●	●
12	●	●	●	●	●	●
13	●	●	●	●	●	●
14	●	●	●	●	●	●
15	●	●	●	●	●	●
16	●	●	●	●	●	●
17	●	●	●	●	●	●
18	●	●	●	●	●	●

20 POSN. 18° THROW, LAYER 3
 ● = CLOSED TO RESPECTIVE COMMON

POSN.	A	B	D	E	F	G	H	J
1	●	●	●	●	●	●	●	●
2	●	●	●	●	●	●	●	●
3	●	●	●	●	●	●	●	●
4	●	●	●	●	●	●	●	●
5	●	●	●	●	●	●	●	●
6	●	●	●	●	●	●	●	●
7	●	●	●	●	●	●	●	●
8	●	●	●	●	●	●	●	●
9	●	●	●	●	●	●	●	●
10	●	●	●	●	●	●	●	●
11	●	●	●	●	●	●	●	●
12	●	●	●	●	●	●	●	●
13	●	●	●	●	●	●	●	●
14	●	●	●	●	●	●	●	●
15	●	●	●	●	●	●	●	●
16	●	●	●	●	●	●	●	●
17	●	●	●	●	●	●	●	●
18	●	●	●	●	●	●	●	●
19	●	●	●	●	●	●	●	●
20	●	●	●	●	●	●	●	●



VIEW T
 SCALE 10:1
 CUSTOMER ASSEMBLY INFORMATION
 (SHAFTS SHOWN OUT OF SCALE FOR CLARITY)

- SWITCH NOT TO BE DISASSEMBLED.
- SWITCH POSITIONS INCREASE WHEN ROTATED IN A CLOCKWISE DIRECTION.
- DO NOT MAKE ELECTRICAL CONNECTION TO ANY UNUSED PINS.
- THESE DIMENSIONS HAVE NON-CUMULATIVE TOLERANCES.
- THE TORQUE REQUIRED TO ROTATE EITHER #1 OR #2 PRINTED CIRCUIT BOARD IS NOT TO EXCEED 1.5 INCH-OUNCE.
- FOR ADDITIONAL SPECIFICATIONS SEE AMP PRODUCT SPEC. 108-7061.
- IN LAYER 3 PIN "B" IS CLOSED TO "A" COMMON IN POSITION, OPENING BETWEEN DETENT POSITIONS.
- IN LAYER #1 PINS B,C,D,E & F ARE CLOSED TO "G" COMMON.
- IN LAYER #3 PINS D,E,F,G & H ARE CLOSED TO "J" COMMON.
- ~~CODE TRANSITION TO TAKE PLACE MIDWAY BETWEEN DETENT POSITIONS ±1.5°.~~
- ALL ELECTRICALLY ACTIVE PINS ARE IDENTIFIED BY LETTERS. THOSE NOT ELECTRICALLY ACTIVE ARE SHOWN, BUT NOT LETTERED.
- SWITCH IS 100% ELECTRICAL TESTED AND INSPECTED.
- FLATS ON CIRCUIT HUBS AND CUSTOMER GEAR BOX SHAFTS MUST BE ORIENTED AS SHOWN.
- CONTACT DIMENSION DOES NOT INCLUDE CUT-OFF BURR.

447610-1
 PART NO.

DO NOT SCALE PRINT. UNLESS SPECIFIED DIMENSIONS IN INCHES [mm]		AMP Incorporated Harrisburg, PA 17105-3608	
TOLERANCES - ON :		NAME	
2 PLC DEC ±	-	ROTARY SWITCH ASSY,	
3 PLC DEC ±	.010 (0.25)	3510 SERIES, MULTI-BUSHING, 20 POSN.	
ANGLES	±	PRIMARY, 18 POSN SECONDARY, 3 LAYER	
MATERIAL	-	SIZE	D 00779
FINISH	-	CAGE CODE	447610
WEIGHT	-	DRAWING NO	447610
		SCALE	2:1
		SHEET	1 OF 1