



Chipsmall Limited consists of a professional team with an average of over 10 year of expertise in the distribution of electronic components. Based in Hongkong, we have already established firm and mutual-benefit business relationships with customers from,Europe,America and south Asia,supplying obsolete and hard-to-find components to meet their specific needs.

With the principle of “Quality Parts,Customers Priority,Honest Operation,and Considerate Service”,our business mainly focus on the distribution of electronic components. Line cards we deal with include Microchip,ALPS,ROHM,Xilinx,Pulse,ON,Everlight and Freescale. Main products comprise IC,Modules,Potentiometer,IC Socket,Relay,Connector.Our parts cover such applications as commercial,industrial, and automotives areas.

We are looking forward to setting up business relationship with you and hope to provide you with the best service and solution. Let us make a better world for our industry!



## Contact us

Tel: +86-755-8981 8866 Fax: +86-755-8427 6832

Email & Skype: info@chipsmall.com Web: www.chipsmall.com

Address: A1208, Overseas Decoration Building, #122 Zhenhua RD., Futian, Shenzhen, China



REVISIONS					DATE	APPD
LOC	DIST	P	F	ZONE	DESCRIPTION	
DF	LO			B	REV PER ECO 05-10335	SG

17 POSN 21°10' THROW, LAYER 1  
 ● = CLOSED TO COMMON

POSN.	B	C	D	E
1	●	●		●
2			●	●
3	●			●
4		●	●	●
5				●
6			●	●
7				●
8	●	●	●	●
9	●	●		●
10	●	●	●	●
11	●	●		●
12	●		●	●
13	●			●
14		●	●	●
15				●
16			●	●
17				●

20 POSN. 18° THROW, LAYER 4  
 ● = CLOSED TO COMMON

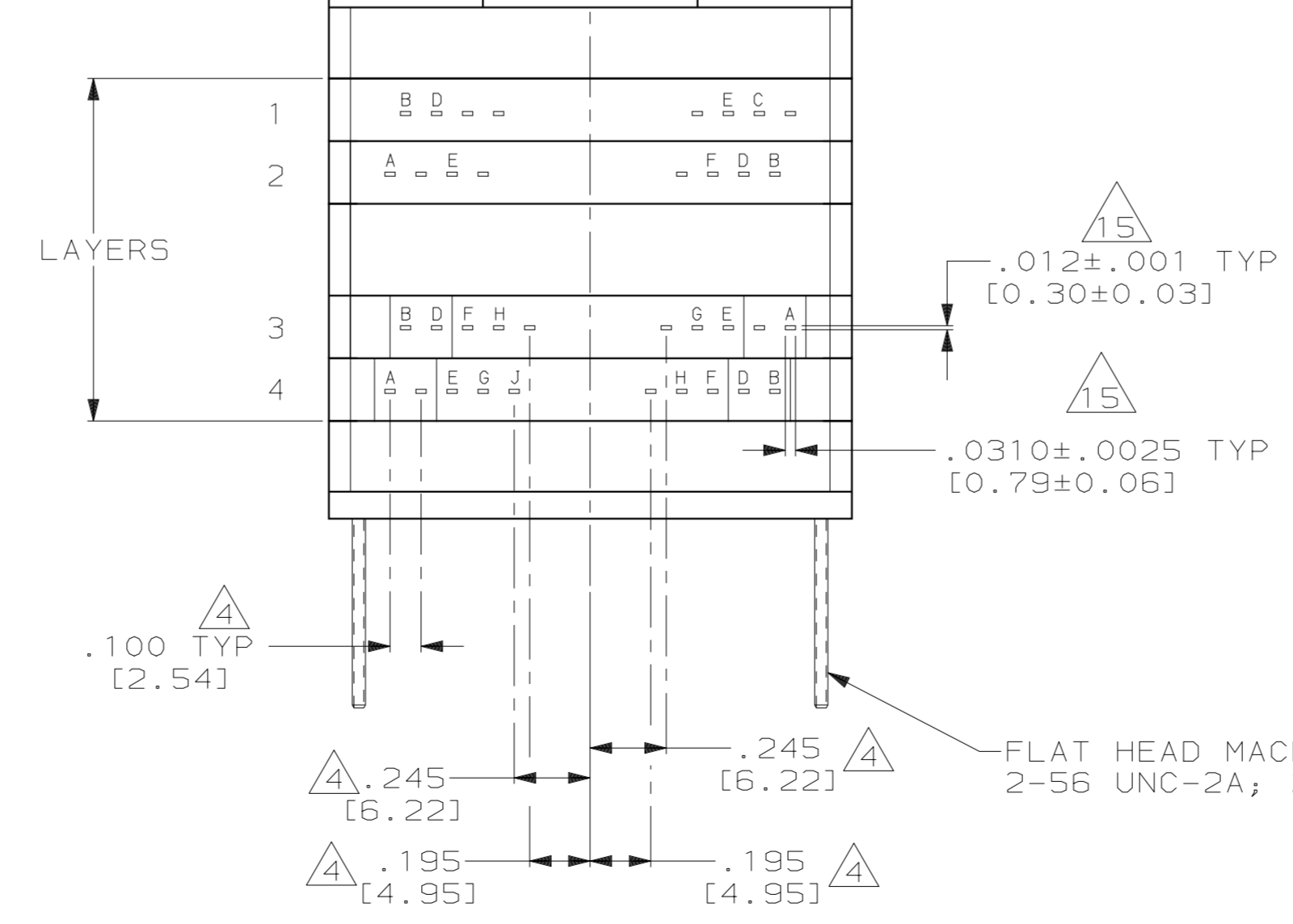
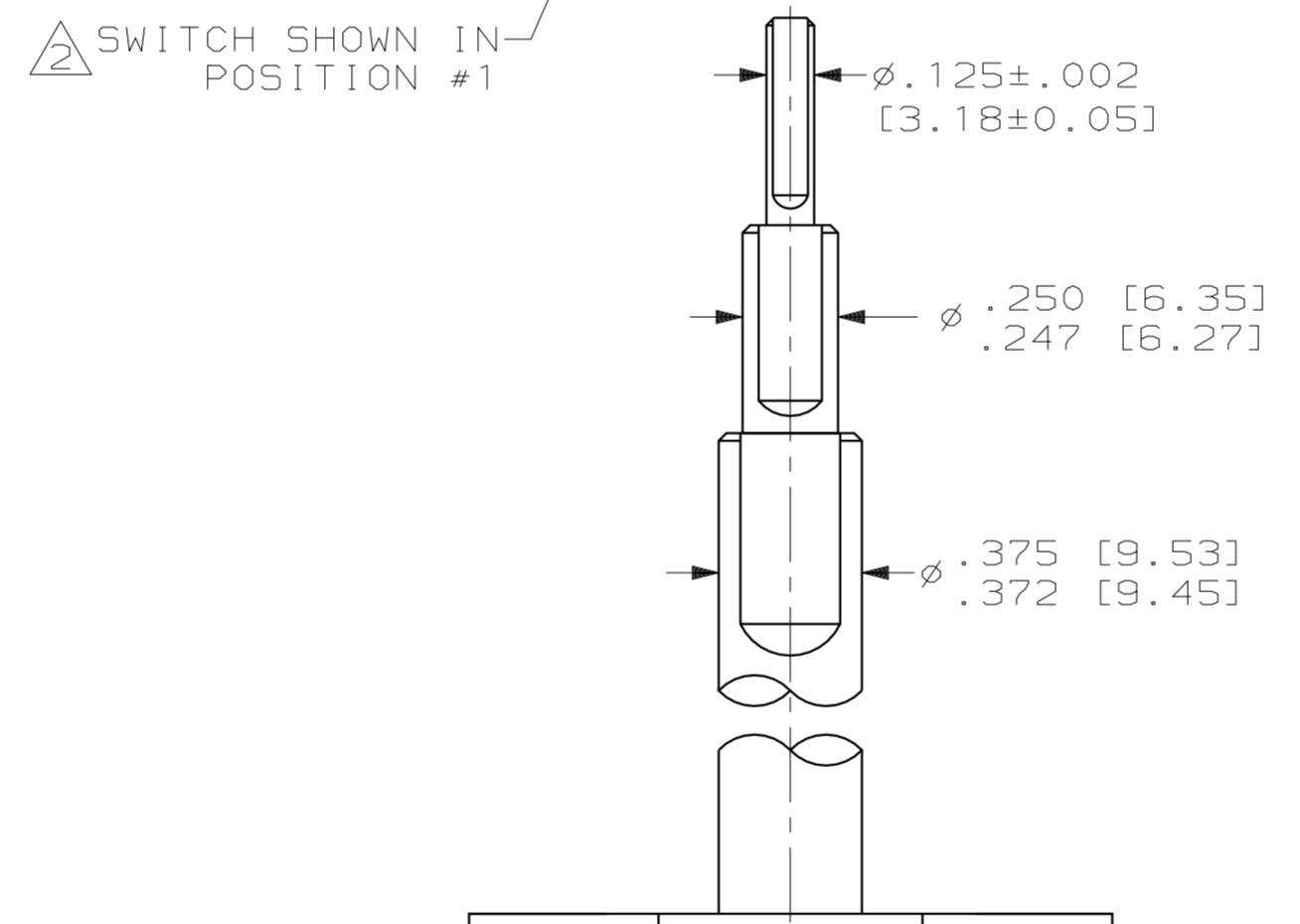
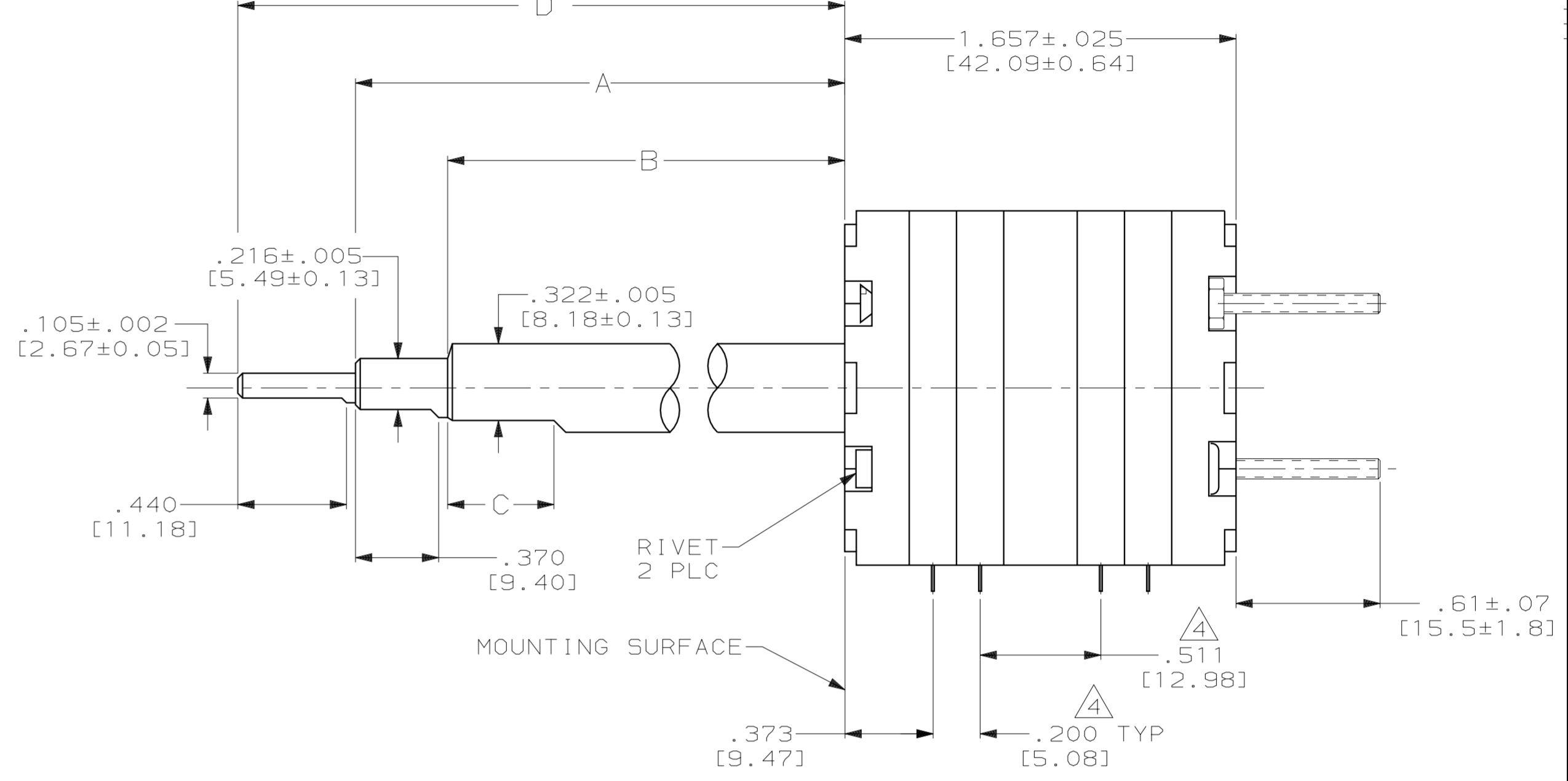
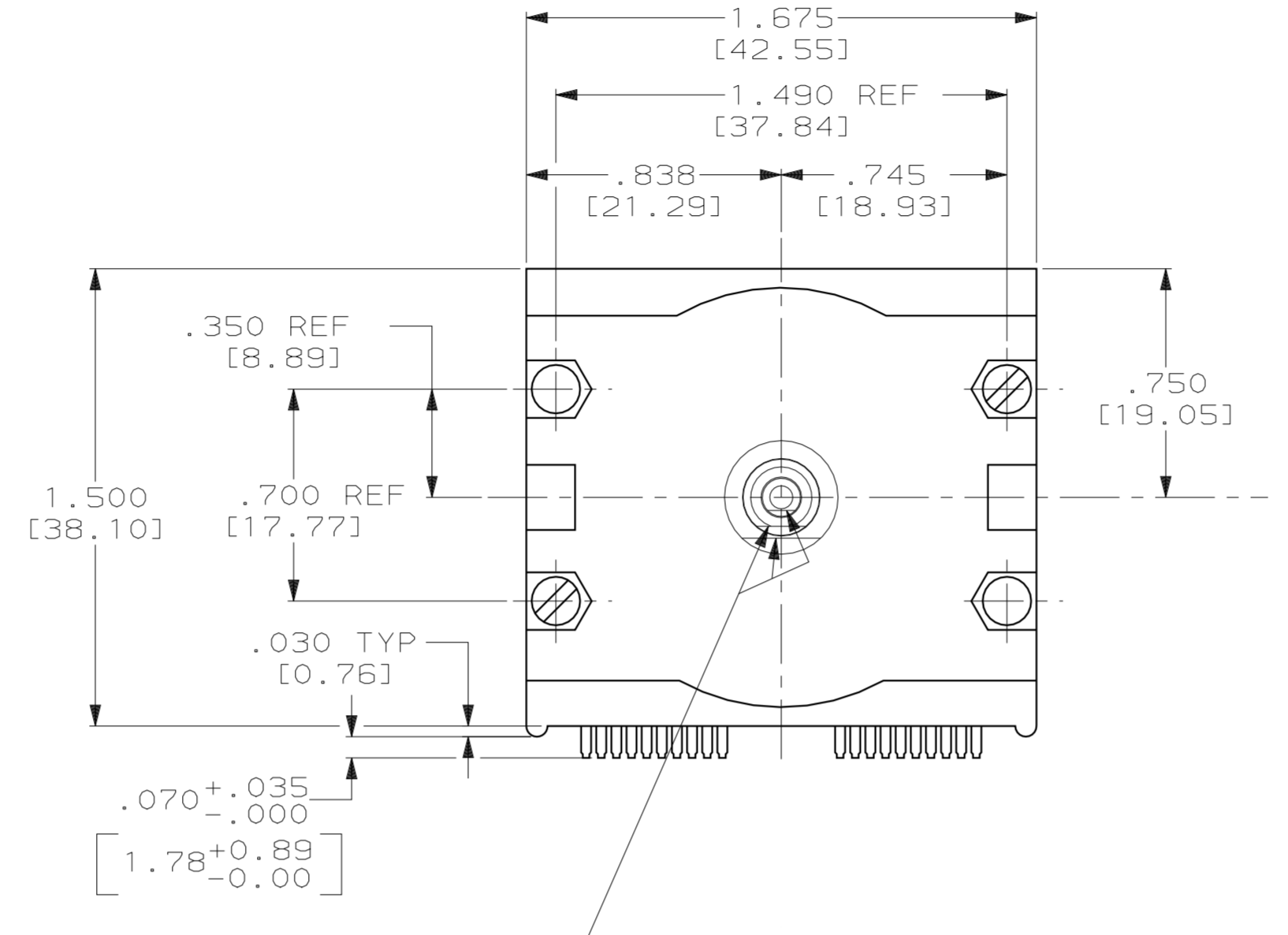
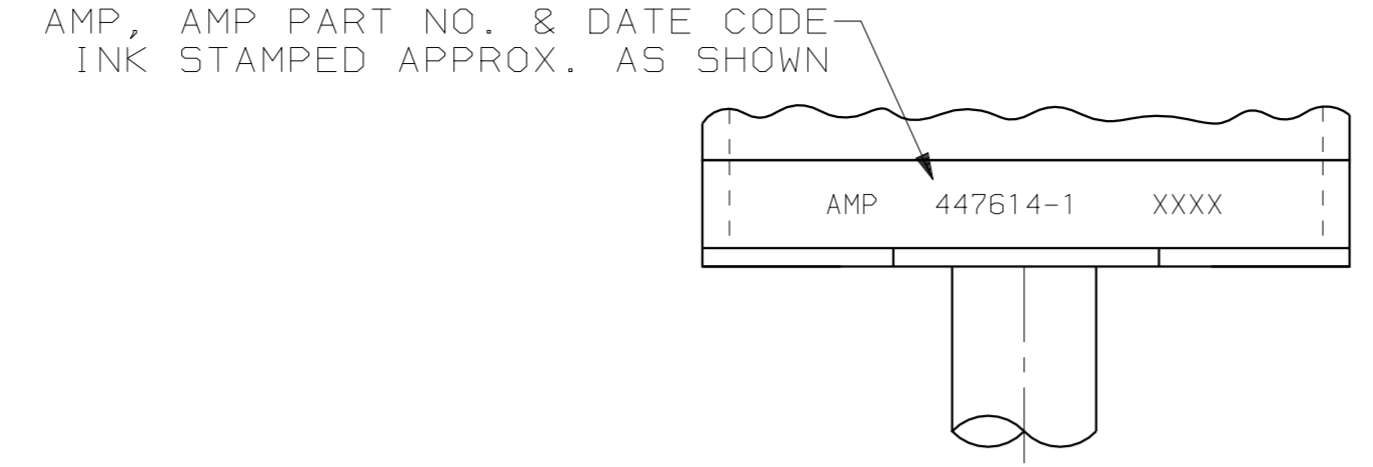
POSN.	A	B	D	E	F	G	H	J
1	●	●		●	●	●	●	●
2	●	●		●	●	●		●
3	●	●		●	●	●		●
4	●	●		●	●	●		●
5	●	●		●	●		●	●
6	●	●		●	●		●	●
7	●	●		●	●		●	●
8	●	●		●	●		●	●
9	●	●		●	●		●	●
10	●	●		●	●		●	●
11	●	●		●	●		●	●
12	●	●		●	●		●	●
13	●	●		●	●		●	●
14	●	●		●	●		●	●
15	●	●		●	●		●	●
16	●	●		●	●		●	●
17	●	●		●	●		●	●
18	●	●		●	●		●	●
19	●	●		●	●		●	●
20	●	●		●	●		●	●

17 POSN 21°10' THROW, LAYER 2  
 ● = CLOSED TO COMMON

POSN.	A	B	D	E	F
1	●	●		●	●
2	●	●		●	●
3	●	●		●	●
4	●	●		●	●
5	●	●		●	●
6	●	●		●	●
7	●	●		●	●
8	●	●		●	●
9	●	●		●	●
10	●	●		●	●
11	●	●		●	●
12	●	●		●	●
13	●	●		●	●
14	●	●		●	●
15	●	●		●	●
16	●	●		●	●
17	●	●		●	●

20 POSN. 18° THROW, LAYER 3  
 ● = CLOSED TO COMMON

POSN.	A	B	D	E	F	G	H
1	●	●		●	●	●	●
2	●	●		●	●		●
3	●	●		●	●		●
4	●	●		●	●		●
5	●	●		●	●		●
6	●	●		●	●		●
7	●	●		●	●		●
8	●	●		●	●		●
9	●	●		●	●		●
10	●	●		●	●		●
11	●	●		●	●		●
12	●	●		●	●		●
13	●	●		●	●		●
14	●	●		●	●		●
15	●	●		●	●		●
16	●	●		●	●		●
17	●	●		●	●		●
18	●	●		●	●		●
19	●	●		●	●		●
20	●	●		●	●		●



- SWITCH NOT TO BE DISASSEMBLED.
- SWITCH POSITIONS INCREASE WHEN ROTATED IN A CLOCKWISE DIRECTION.
- DO NOT MAKE ELECTRICAL CONNECTION TO ANY UNUSED PINS.
- THESE DIMENSIONS HAVE NON-CUMULATIVE TOLERANCES.
- THE TORQUE REQUIRED TO ROTATE THE PRIMARY SHAFT OR SECONDARY SHAFT OR TERTIARY SHAFT SHALL NOT EXCEED THE 10 IN OZ.±5 IN. OZ. RANGE.
- FOR ADDITIONAL SPECIFICATIONS SEE AMP PRODUCT SPEC. 108-7061.
- CODE TRANSITION TO TAKE PLACE MIDWAY BETWEEN DETENT POSITIONS ±1.5°.
- LAYERS 2,3 & 4 PIN "B" IS COMMONED TO "A" 4°±1.5° BEFORE AND AFTER CENTER OF DETENT POSITION.
- LAYER 1 "B", "C" & "D" ARE COMMONED TO "E".
- LAYER 2 "D" & "E" ARE COMMONED TO "F".
- LAYER 3 "D", "E", "F" & "G" ARE COMMONED TO "H".
- LAYER 4 "D", "E", "F", "G" & "H" ARE COMMONED TO "J".
- ALL ELECTRICALLY ACTIVE PINS ARE IDENTIFIED BY LETTERS. THOSE NOT ELECTRICALLY ACTIVE ARE SHOWN, BUT NOT LETTERED.
- SWITCH IS 100% ELECTRICAL TESTED AND INSPECTED.
- CONTACT DIMENSION DOES NOT INCLUDE CUT-OFF BURR.

3.45±.04 [87.6±1.0]	.500 [12.70]	2.49±.02 [63.2±0.5]	2.99±.04 [75.9±1.0]	447614-2
3.25±.04 [82.6±1.0]	.600 [15.24]	2.42±.02 [61.5±0.5]	2.78±.04 [70.6±1.0]	447614-1
D DIM	C DIM	B DIM	A DIM	PART NO.

DO NOT SCALE PRINT. UNLESS SPECIFIED DIMENSIONS IN INCHES [mm] TOLERANCES ON: 2 PLC DEC ± .010 (0.25) ANGLES ± -	DR 1-16-91 CHUCK THOMAS CHK 1-21-91 S. GLATFELTER APPD 1-21-91 S. GLATFELTER APPD 1-31-91 C. THOMAS	<b>AMP</b> AMP Incorporated Harrisburg, PA 17105-3608 NAME: ROTARY SWITCH ASSY, 3510 SERIES, MULTI-SHAFT, 20 POSN PRIMARY & SECONDARY, 17 POSN TERTIARY, 4 LAYER		
MATERIAL -	PRODUCT SPEC -	SIZE <b>D</b>	CAGE CODE 00779	DRAWING NO 447614
FINISH -	APPLICATION SPEC -	SCALE 2:1	SHEET 1 OF 1	
WEIGHT -				