



Chipsmall Limited consists of a professional team with an average of over 10 year of expertise in the distribution of electronic components. Based in Hongkong, we have already established firm and mutual-benefit business relationships with customers from,Europe,America and south Asia,supplying obsolete and hard-to-find components to meet their specific needs.

With the principle of “Quality Parts,Customers Priority,Honest Operation,and Considerate Service”,our business mainly focus on the distribution of electronic components. Line cards we deal with include Microchip,ALPS,ROHM,Xilinx,Pulse,ON,Everlight and Freescale. Main products comprise IC,Modules,Potentiometer,IC Socket,Relay,Connector.Our parts cover such applications as commercial,industrial, and automotives areas.

We are looking forward to setting up business relationship with you and hope to provide you with the best service and solution. Let us make a better world for our industry!



Contact us

Tel: +86-755-8981 8866 Fax: +86-755-8427 6832

Email & Skype: info@chipsmall.com Web: www.chipsmall.com

Address: A1208, Overseas Decoration Building, #122 Zhenhua RD., Futian, Shenzhen, China

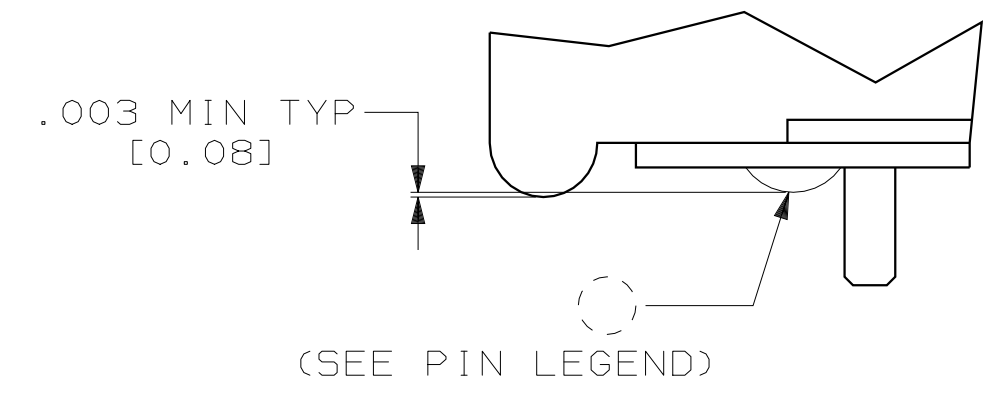
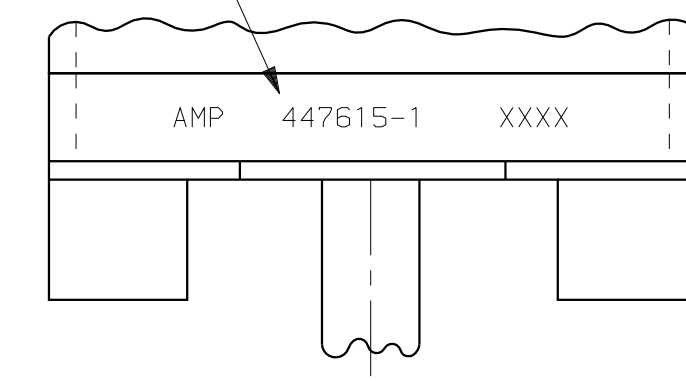


LOC		DIST		P		ZONE		LTR		REVISIONS			
DF	LO									DESCRIPTION	DATE	APPD	
										C REV PER ECO 05-10335	CT	6-06	SG

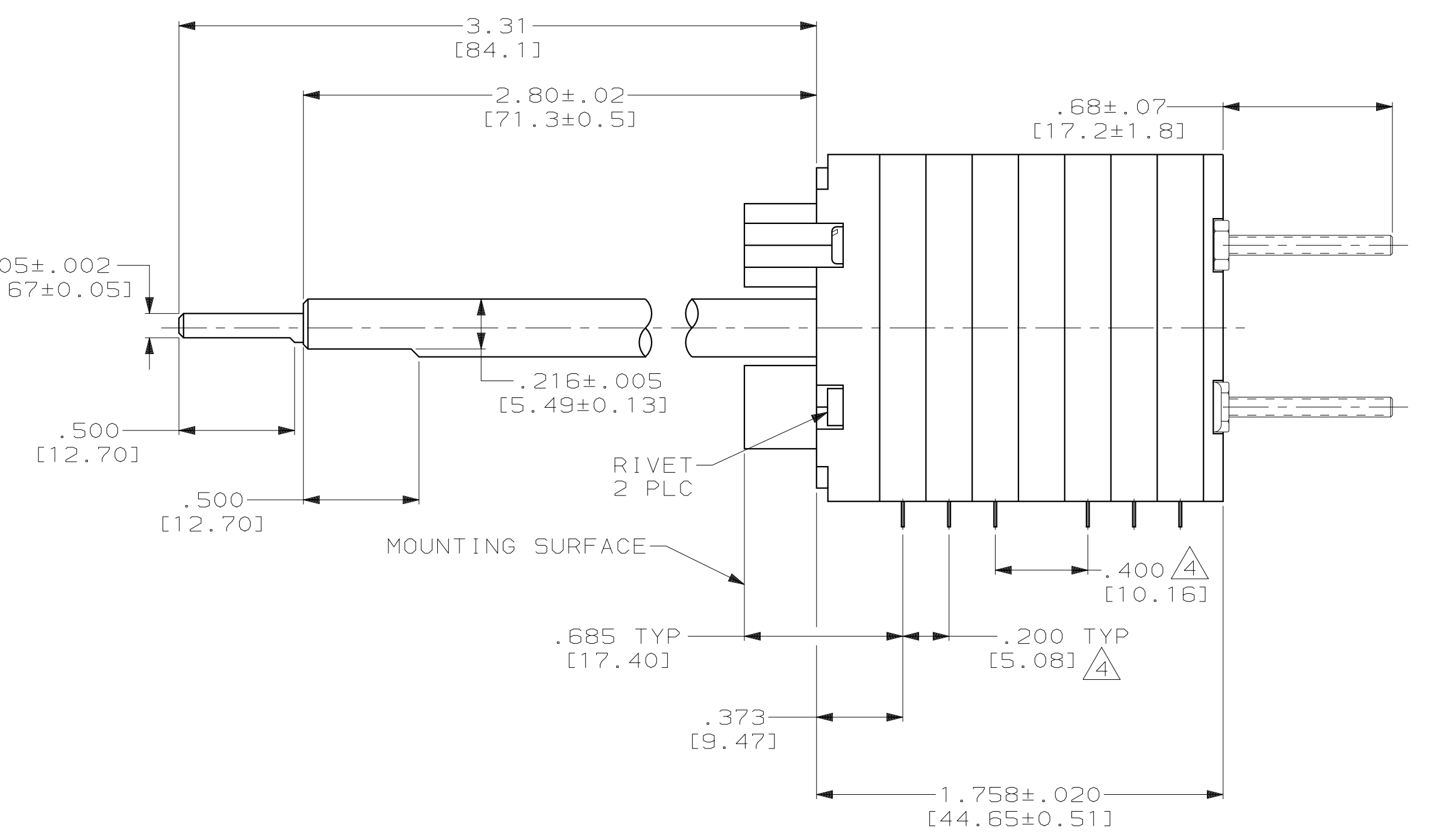
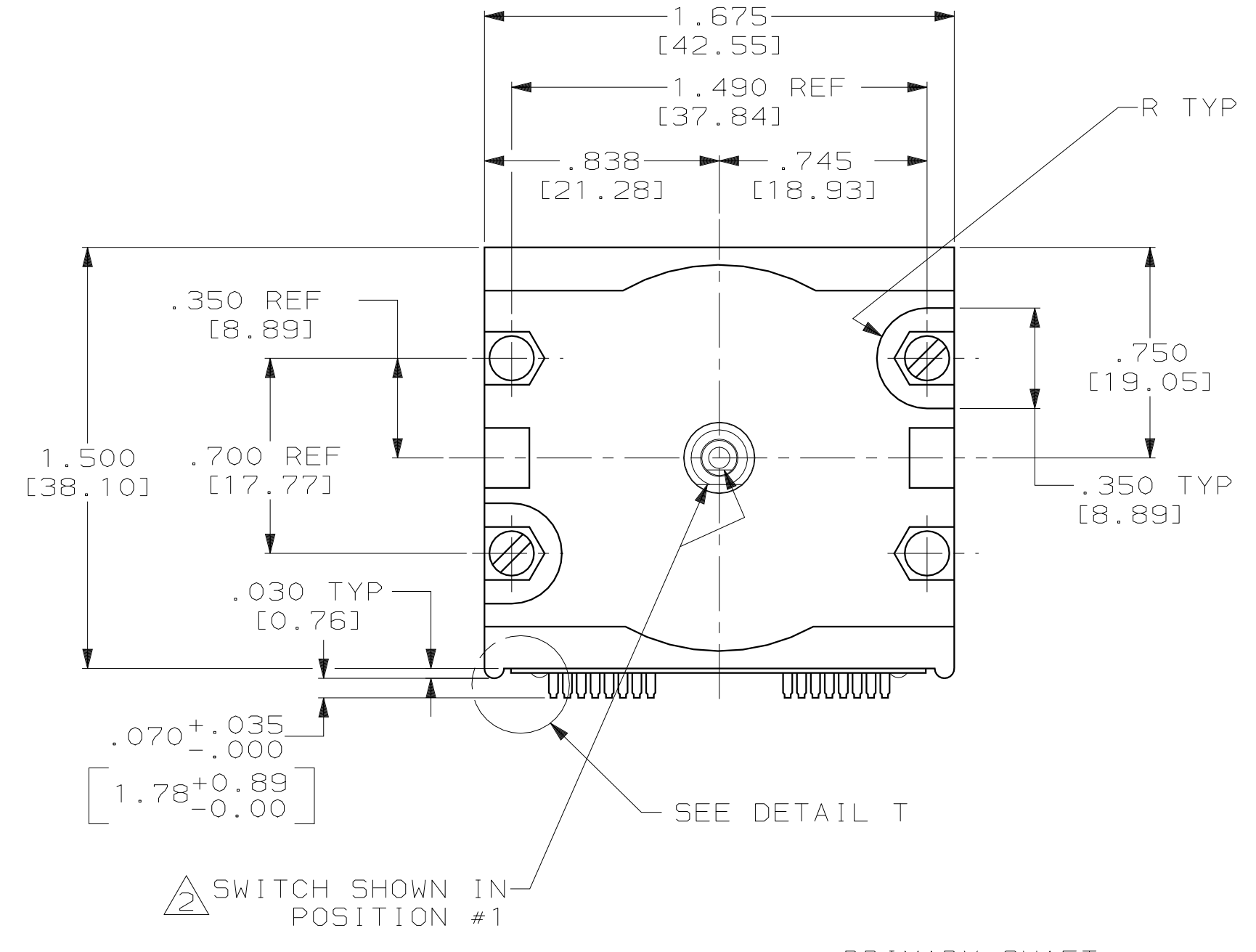
SECONDARY LAYERS #1, 2 & 3							
POSN.	B	C	Ds	E	F	G	Dp
1	●	●	●	●	●	●	●
2	●	●	●	●	●	●	●
3	●	●	●	●	●	●	●
4	●	●	●	●	●	●	●
5	●	●	●	●	●	●	●
6	●	●	●	●	●	●	●
7	●	●	●	●	●	●	●
8	●	●	●	●	●	●	●
9	●	●	●	●	●	●	●
10	●	●	●	●	●	●	●
11	●	●	●	●	●	●	●
12	●	●	●	●	●	●	●
13	●	●	●	●	●	●	●
14	●	●	●	●	●	●	●
15	●	●	●	●	●	●	●
16	●	●	●	●	●	●	●
17	●	●	●	●	●	●	●
18	●	●	●	●	●	●	●
19	●	●	●	●	●	●	●
20	●	●	●	●	●	●	●
21	●	●	●	●	●	●	●
22	●	●	●	●	●	●	●
23	●	●	●	●	●	●	●
24	●	●	●	●	●	●	●
25	●	●	●	●	●	●	●
26	●	●	●	●	●	●	●
27	●	●	●	●	●	●	●
28	●	●	●	●	●	●	●
29	●	●	●	●	●	●	●
30	●	●	●	●	●	●	●
31	●	●	●	●	●	●	●
32	●	●	●	●	●	●	●
33	●	●	●	●	●	●	●
34	●	●	●	●	●	●	●
35	●	●	●	●	●	●	●
36	●	●	●	●	●	●	●

PRIMARY LAYERS #5, 6 & 7				
POSN.	E	F	G	J
1	●	●	●	●
2	●	●	●	●
3	●	●	●	●
4	●	●	●	●
5	●	●	●	●
6	●	●	●	●
7	●	●	●	●
8	●	●	●	●
9	●	●	●	●
10	●	●	●	●
11	●	●	●	●
12	●	●	●	●
13	●	●	●	●
14	●	●	●	●
15	●	●	●	●
16	●	●	●	●
17	●	●	●	●
18	●	●	●	●
19	●	●	●	●
20	●	●	●	●

AMP, AMP PART NO. & DATE CODE
 INK STAMPED APPROX. AS SHOWN

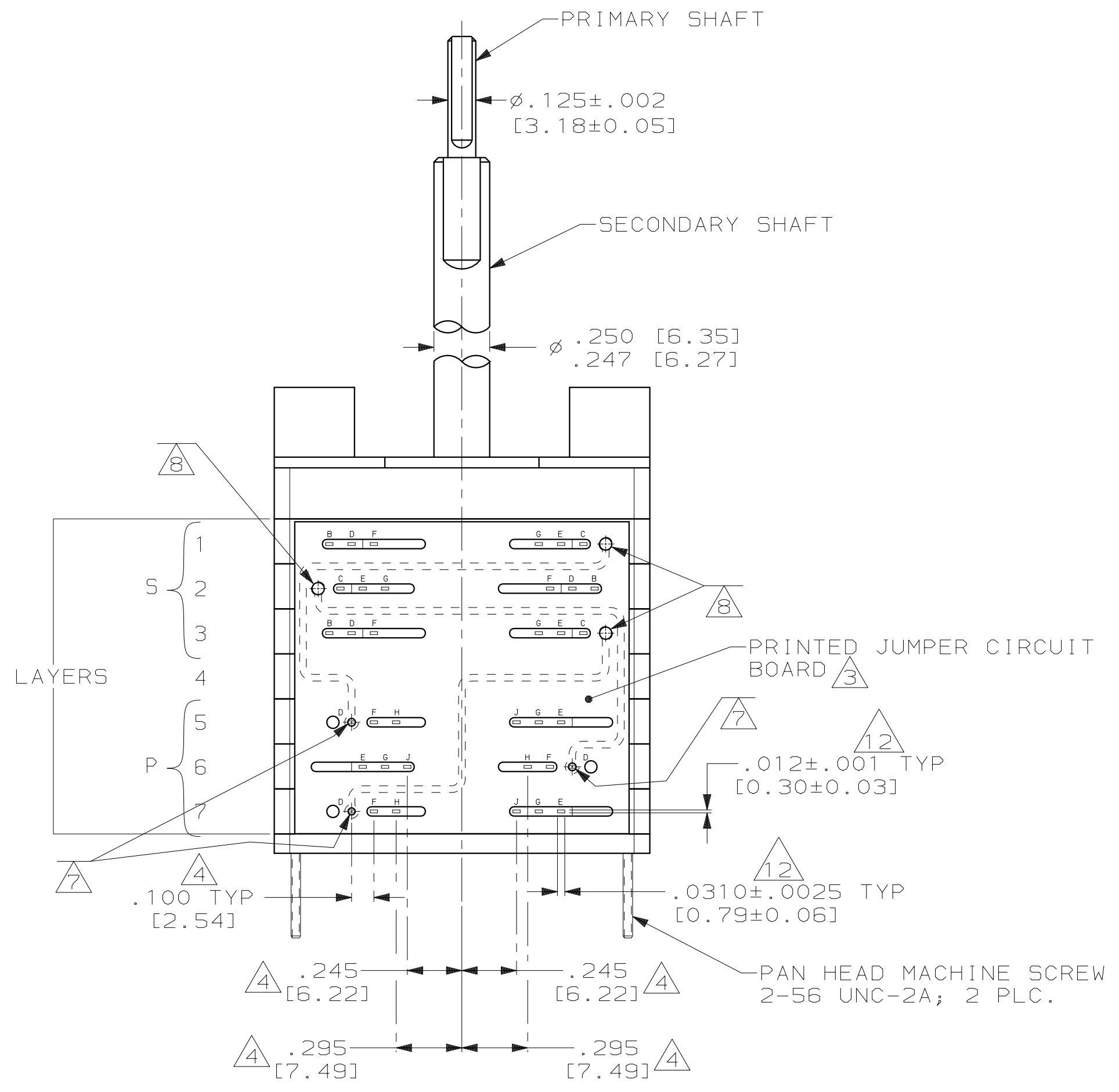


DETAIL T
 SCALE 8:1



- PIN LEGEND**
- X = PIN FULL LENGTH.
 - = PIN PARTIALLY CUTOFF AND SOLDERED TO JUMPER CIRCUIT.
 - ⊕ = PIN FULL LENGTH AND SOLDERED TO JUMPER CIRCUIT.

1. SWITCH NOT TO BE DISASSEMBLED.
2. SWITCH POSITIONS INCREASE WHEN ROTATED IN A CLOCKWISE DIRECTION.
3. PRINTED JUMPER CIRCUIT BOARD IS PERMANENTLY ATTACHED TO SWITCH HOUSING. ALL CONDUCTORS ARE INSULATED WITH EPOXY.
4. THESE DIMENSIONS HAVE NON-CUMULATIVE TOLERANCES.
5. THE TORQUE REQUIRED TO ROTATE THE PRIMARY SHAFT = 16±7 IN. OZ., SECONDARY SHAFT = 21±7 IN. OZ..
6. FOR ADDITIONAL SPECIFICATIONS SEE AMP PRODUCT SPEC. 108-7061.
7. SOLDER TO HAVE A MELTING POINT NOT LESS THAN 500° F, 3 PLACES.
8. SOLDER TO HAVE MELTING POINT NOT LESS THAN 360° F, 3 PLACES.
9. CODE TRANSITION TO TAKE PLACE MIDWAY BETWEEN DETENT POSITIONS ±1.5°.
10. ● = SIMULTANEOUS CLOSURE OF SECONDARY LAYERS 1, 2 & 3 TO COMMON G AND SIMULTANEOUS CLOSURE OF PRIMARY LAYERS 5, 6 & 7 TO COMMON J.
11. SWITCH IS 100% ELECTRICAL TESTED AND INSPECTED.
12. CONTACT DIMENSION DOES NOT INCLUDE CUT-OFF BURR.



447615-1
 PART NO.

DO NOT SCALE PRINT. UNLESS SPECIFIED DIMENSIONS IN INCHES [mm]		DR 1-7-91 CHUCK THOMAS		AMP Incorporated Harrisburg, PA 17105-3608	
TOLERANCES - ON :		CHK 1-21-93 S. GLATFELTER			
3 PLC DEC ± .010 (0.25)		APPD 1-21-91 S. GLATFELTER		NAME	
ANGLES ± -		APPD 1-31-91 C. THOMAS		ROTARY SWITCH ASSY, 3510 SERIES, MULTI-SHAFT, 20 POSN. PRIMARY, 36 POSN. SECONDARY	
MATERIAL		PRODUCT SPEC		SIZE	
FINISH		APPLICATION SPEC		D 00779	
WEIGHT		SCALE 2:1		DRAWING NO 447615	
				SHEET 1 OF 1	