

Chipsmall Limited consists of a professional team with an average of over 10 year of expertise in the distribution of electronic components. Based in Hongkong, we have already established firm and mutual-benefit business relationships with customers from,Europe,America and south Asia,supplying obsolete and hard-to-find components to meet their specific needs.

With the principle of “Quality Parts,Customers Priority,Honest Operation,and Considerate Service”,our business mainly focus on the distribution of electronic components. Line cards we deal with include Microchip,ALPS,ROHM,Xilinx,Pulse,ON,Everlight and Freescale. Main products comprise IC,Modules,Potentiometer,IC Socket,Relay,Connector.Our parts cover such applications as commercial,industrial, and automotives areas.

We are looking forward to setting up business relationship with you and hope to provide you with the best service and solution. Let us make a better world for our industry!



Contact us

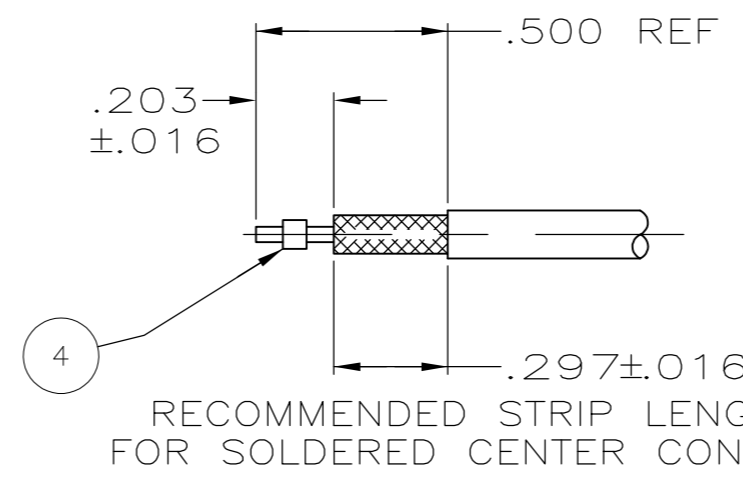
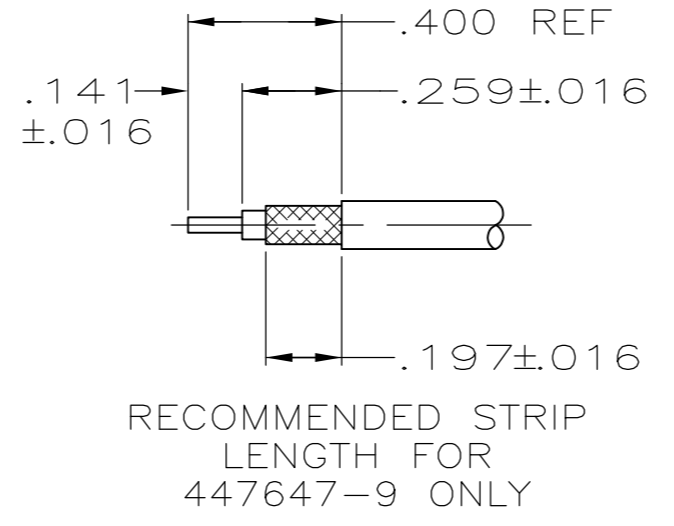
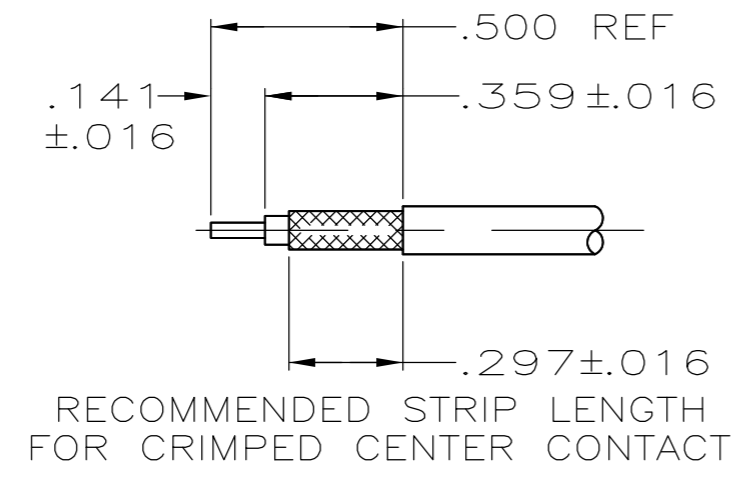
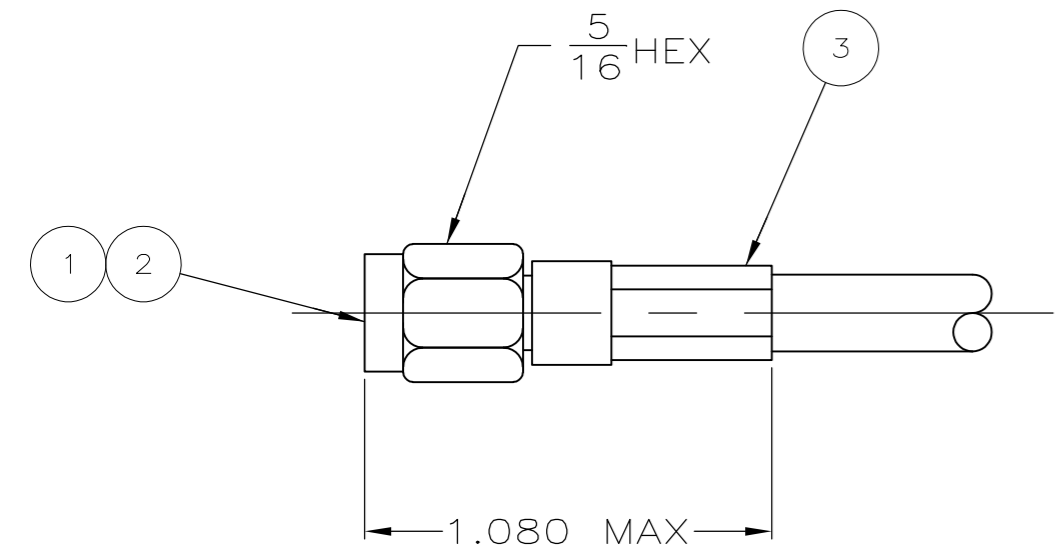
Tel: +86-755-8981 8866 Fax: +86-755-8427 6832

Email & Skype: info@chipsmall.com Web: www.chipsmall.com

Address: A1208, Overseas Decoration Building, #122 Zhenhua RD., Futian, Shenzhen, China

THIS DRAWING IS UNPUBLISHED. RELEASED FOR PUBLICATION
 © COPYRIGHT 2005 BY TYCO ELECTRONICS CORPORATION. ALL RIGHTS RESERVED.

LOC	DIST	REVISIONS					
		P	LTR	DESCRIPTION	DATE	DWN	APVD
AJ	16						
		W1		REVISED PER ECO-06-018708	29AUG2006	MC	JL
		W2		REVISED PER ECO-09-020932	04SEP09	KK	AEQ



1. CENTER CONTACT: CRIMPING TOOL M22520/2-01; POSITIONER M22520/2-20; SELECTOR SETTING PER TABLE
2. FERRULE: CRIMPING TOOL M22520/5-01; DIE NUMBER OR HEX SIZE PER TABLE
3. PRODUCT IS DESIGNED TO MEET PRODUCT SPECIFICATION 108-1574.
4. BRIGHT NICKEL PLATE.
5. APPLIES TO 447647-5 ONLY.
6. COUPLING NUT MUST WITHSTAND 60 LB RETENTION FORCE. ALSO 15 IN-LB TORQUE WHEN MATED.
7. GOLD PLATE.
8. USE SELECTOR SETTING #7 FOR RG-142, 142A, 142B AND SELECTOR SETTING #6 FOR RG-400
9. INSTRUCTION SHEET: 408-4032
10. OBSOLETE PARTS: OBSOLETE CIS STREAMLINING PER D.RENAUD/D.SINISI

10 OBSOLETE	RG-174, 188 A, 316	DIE M22520/5-35 B OR .128X.400 HEX	#4	4	BRASS	9-446556-1	447869-2	447844-4	9-447647-1	
	RG-142, 142 A, 142 B, RG-400	DIE M22520/5-11 A OR .213X.400 HEX	8	4	BRASS	9-446556-0	443246-2	447844-1	9-447647-0	
OBSOLETE	RG-174, 188 A, 316	DIE M22520/5-35 B OR .128X.400 HEX	#4	7	BRASS	4-446556-1	447869-2	447844-6	1-447647-4	
OBSOLETE	BELDEN YR20621, CRIMPED/SOLDERED CONTACT	DIE M22520/5-11 A OR .213X.400 HEX	#5	7	BRASS	447863-1	4-446556-0	443246-2	447844-5	
OBSOLETE	RG-142, 142 A, 142 B, RG-400	DIE M22520/5-11 A OR .213X.400 HEX	8	4	BRASS	3-446566-6	443246-2	447844-1	1-447647-2	
	BELDEN YR20621, CRIMPED/SOLDERED CONTACT	DIE M22520/5-11 A OR .213X.400 HEX	#5	4	BRASS	447863-1	4-446556-4	443246-2	447844-7	
OBSOLETE	RG-55, 55 A, 55 B, 223	DIE M22520/5-11 A OR .213X.400 HEX	#7	4	BRASS	9-446556-3	447848-2	447844-1	1-447647-0	
OBSOLETE	RG-174, 188 A, 316	DIE M22520/5-35 B OR .128X.400 HEX	#4	4	BRASS	3-446556-3	447869-2	447844-4	447647-9	
OBSOLETE	RG-174 DB, RG-188 DB, RG-316 DB	DIE M22520/5-35 B OR .128X.400 HEX	#4	PASSIVATED	STAINLESS STEEL	2-446556-4	447869-2	447844-3	447647-8	
OBSOLETE	RG-142, 142 A, 142 B, RG-400, CRIMPED/SOLDERED CONTACT	DIE M22520/5-11 A OR .213X.400 HEX	8	PASSIVATED	STAINLESS STEEL	3-446556-6	443246-2	447844-8	447647-7	
OBSOLETE	RG-316, CRIMPED/SOLDERED CONTACT	DIE M22520/5-35 B OR .128X.400 HEX	#4	PASSIVATED	STAINLESS STEEL	9-446556-1	447869-2	447844-3	447647-6	
SUPERSEDED	BELDEN YR20621, CRIMPED/SOLDERED CONTACT	DIE M22520/5-11 A OR .213X.400 HEX	#5	PASSIVATED	STAINLESS STEEL	447863-1	4-446556-4	443246-2	447844-2	
OBSOLETE	RG-188 Double Braid, 316 Double Braid	DIE M22520/5-35 B OR .128X.400 HEX	#4	4	BRASS	4-446556-3	447869-2	447844-4	447647-4	
	RG-174, 188 A, 316	DIE M22520/5-35 B OR .128X.400 HEX	#4	4	BRASS	9-446556-1	447869-2	447844-4	447647-3	
	RG-142, 142 A, 142 B, RG-400	DIE M22520/5-11 A OR .213X.400 HEX	8	4	BRASS	9-446556-0	443246-2	447844-1	447647-2	
OBSOLETE	RG-58, 58 A/U, 58 B/U, 58 C/U	DIE M22520/5-11 A OR .213X.400 HEX	#5	4	BRASS	9-446556-2	443246-2	447844-1	447647-1	
	CABLE SIZE	2? DIE # OR HEX SIZE	1? SELECTOR SETTING	FINISH	MATERIAL	4 SPACER QTY=1	3 FERRULE QTY=1	2 CONTACT QTY=1	1 PLUG ASSY QTY=1	PART NUMBER

THIS DRAWING IS A CONTROLLED DOCUMENT.

DWN BRENT D. YOHN 11OCT93
 CHK LANG LE 27OCT93
 APVD R. FISHER 27OCT93

tyco Tyco Electronics Corporation
Electronics Harrisburg, PA 17105-3608

NAME: CONNECTOR, PLUG, SMA, HEX CRIMP, COMMERCIAL

PRODUCT SPEC: 108-1574

APPLICATION SPEC: -

WEIGHT: -

SCALE: A2 00779 C=447647

CUSTOMER DRAWING

SCALE: 1:1 SHEET: 1 OF 1 REV: W2