



Chipsmall Limited consists of a professional team with an average of over 10 year of expertise in the distribution of electronic components. Based in Hongkong, we have already established firm and mutual-benefit business relationships with customers from,Europe,America and south Asia,supplying obsolete and hard-to-find components to meet their specific needs.

With the principle of “Quality Parts,Customers Priority,Honest Operation,and Considerate Service”,our business mainly focus on the distribution of electronic components. Line cards we deal with include Microchip,ALPS,ROHM,Xilinx,Pulse,ON,Everlight and Freescale. Main products comprise IC,Modules,Potentiometer,IC Socket,Relay,Connector.Our parts cover such applications as commercial,industrial, and automotives areas.

We are looking forward to setting up business relationship with you and hope to provide you with the best service and solution. Let us make a better world for our industry!



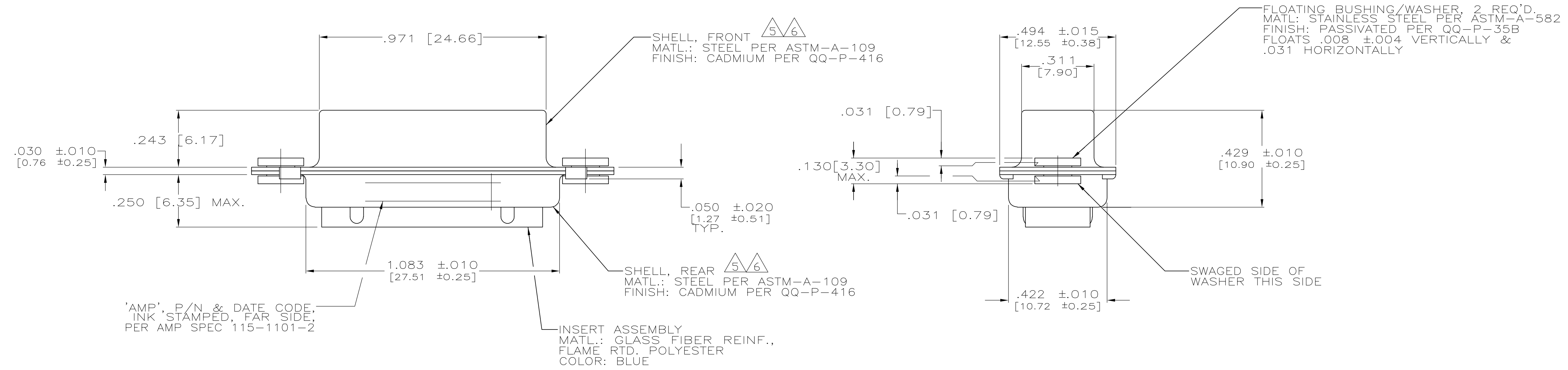
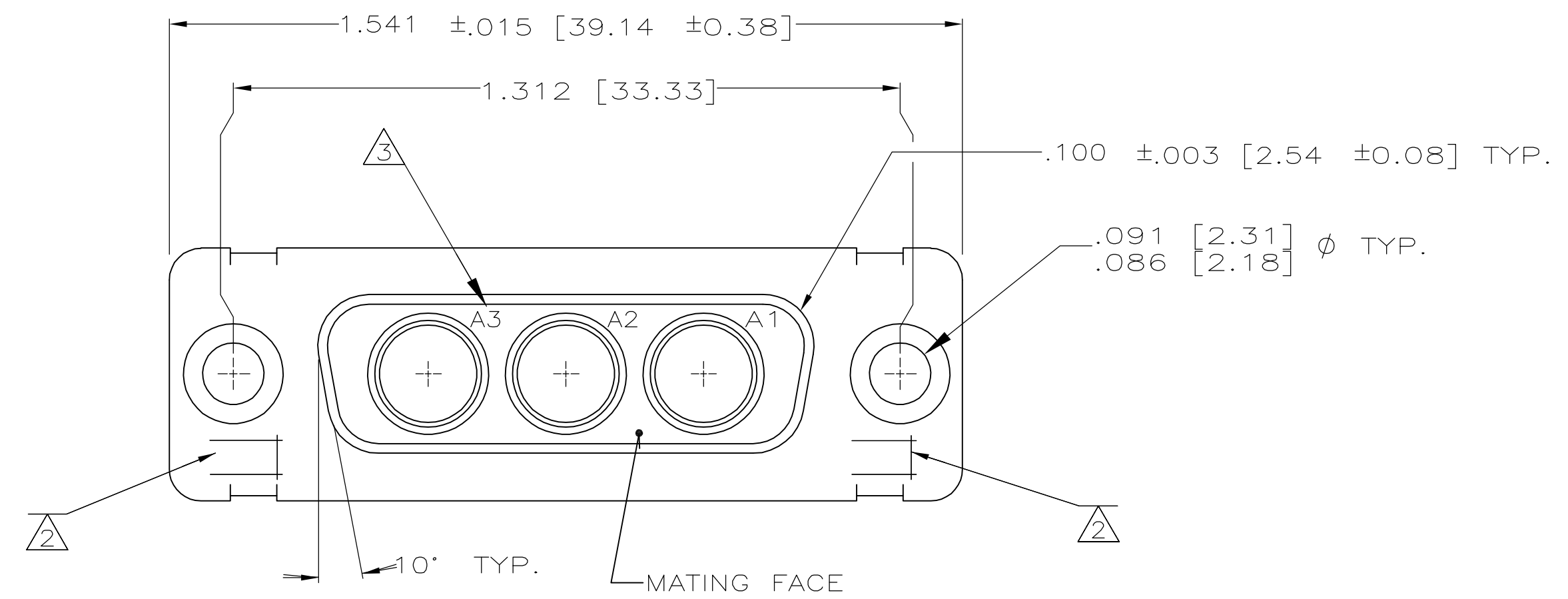
## Contact us

Tel: +86-755-8981 8866 Fax: +86-755-8427 6832

Email & Skype: info@chipsmall.com Web: www.chipsmall.com

Address: A1208, Overseas Decoration Building, #122 Zhenhua RD., Futian, Shenzhen, China





1. THIS RCPT. IS DESIGNED TO CONFORM TO THE LATEST ISSUE OF MIL-C-24308.
2. UL/CSA DESIGNATION STAMPED IN THIS AREA, OPTIONAL.
3. RAISED NUMBERS FOR IDENTIFICATION OF CIRCUIT HOLES.
4. CONTACTS NOT SUPPLIED WITH ASSEMBLY. CONTACTS TO BE PURCHASED SEPARATELY.
5. FINISH: CADMIUM PER QQ-P-416.
6. FINISH: ZINC PLATE PER ASTM-B-633 .000200-.000400 THK WITH SUPPLEMENTARY CHROMATE (Cr3+).

|          |            |
|----------|------------|
| 6        | 5-447718-1 |
| AS SHOWN | 447718-1   |
| NOTES    | PART NO    |

|  |               |                  |         |  |
|--|---------------|------------------|---------|--|
| THIS DRAWING IS A CONTROLLED DOCUMENT. |               | DWN              | 2-11-91 | <br>Tyco Electronics Corporation<br>Harrisburg, PA 17105-3608                      |
| DIMENSIONS: INCHES                     |               | CHK              |         |  |
| TOLERANCES UNLESS OTHERWISE SPECIFIED: |               | APVD             |         | NAME   |
| 0 PLC                                  | ± -           | PRODUCT SPEC     |         | RECEPTACLE ASSEMBLY, AMPLIMITE, 3C3, SIZE 2, SERIES 109, COAX, WITH FLOAT BUSHINGS |
| 1 PLC                                  | ± -           | APPLICATION SPEC |         | SIZE   |
| 2 PLC                                  | ± -           |                  |         | CAGE CODE  |
| 3 PLC                                  | ± .005 [0.13] |                  |         | DRAWING NO   |
| 4 PLC                                  | ± -           |                  |         | RESTRICTED TO  |
| ANGLES                                 | ± -           |                  |         | A1   |
| MATERIAL                               |               | WEIGHT           |         | 00779  |
| FINISH                                 |               | CUSTOMER DRAWING |         | 447718   |
|  |               | SCALE            | 1:1     | SHEET  |
|  |               |                  |         | 1 OF 1   |
|  |               |                  |         | REV  |
|  |               |                  |         | A  |