



Chipsmall Limited consists of a professional team with an average of over 10 year of expertise in the distribution of electronic components. Based in Hongkong, we have already established firm and mutual-benefit business relationships with customers from,Europe,America and south Asia,supplying obsolete and hard-to-find components to meet their specific needs.

With the principle of "Quality Parts,Customers Priority,Honest Operation,and Considerate Service",our business mainly focus on the distribution of electronic components. Line cards we deal with include Microchip,ALPS,ROHM,Xilinx,Pulse,ON,Everlight and Freescale. Main products comprise IC,Modules,Potentiometer,IC Socket,Relay,Connector.Our parts cover such applications as commercial,industrial, and automotives areas.

We are looking forward to setting up business relationship with you and hope to provide you with the best service and solution. Let us make a better world for our industry!



Contact us

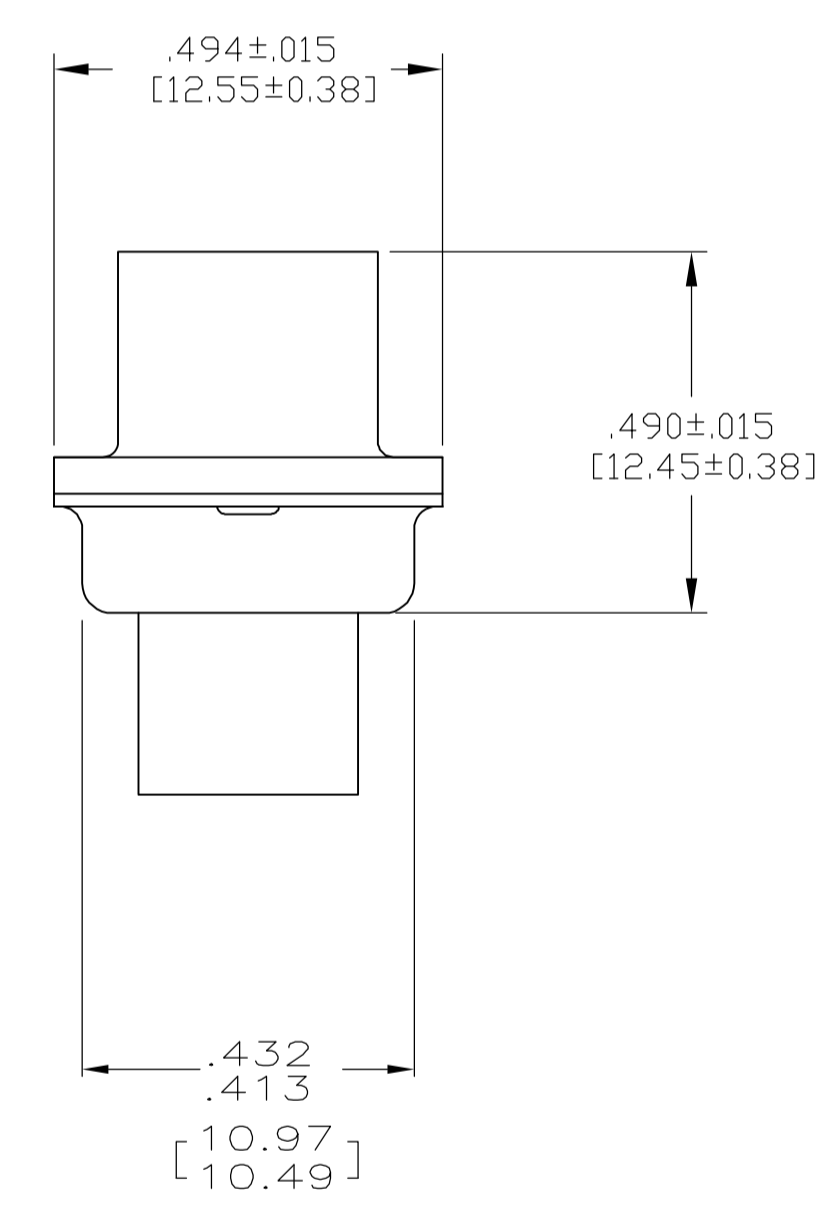
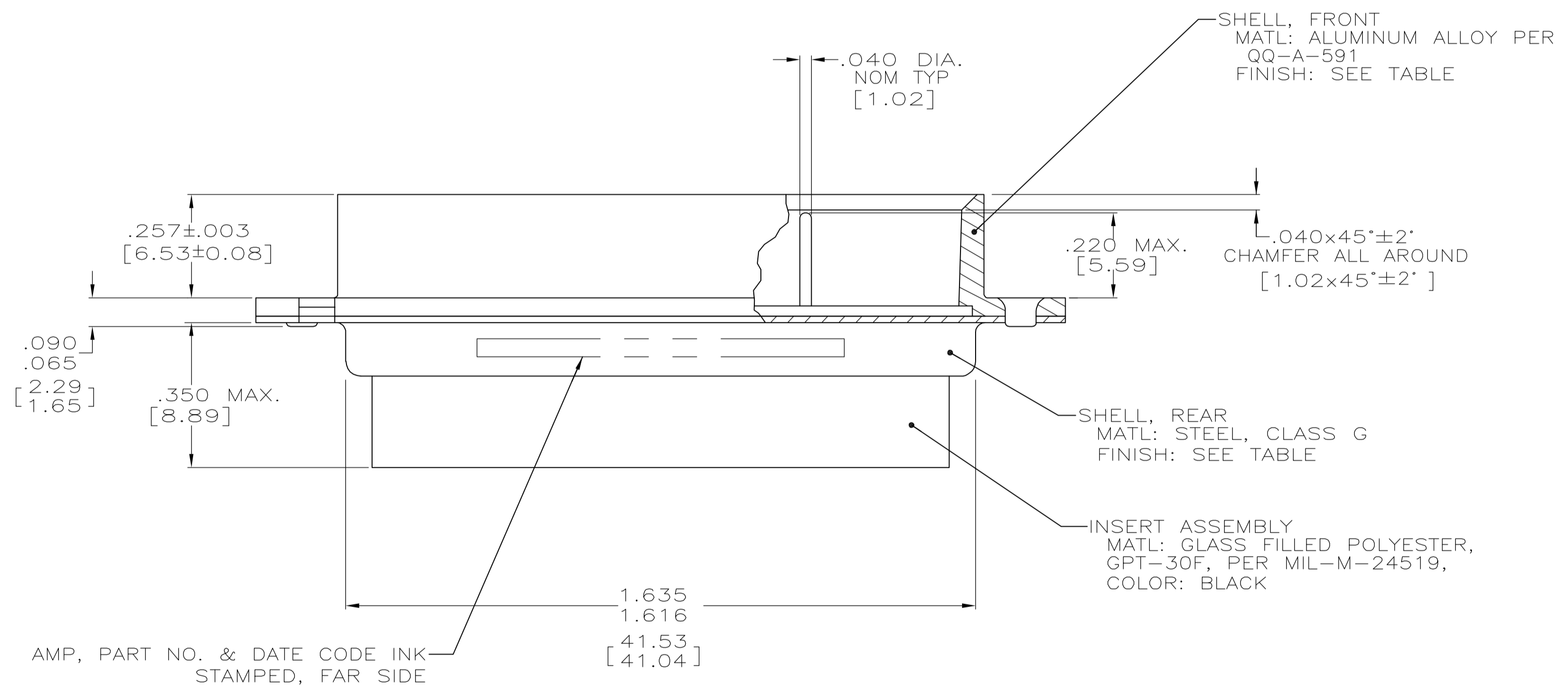
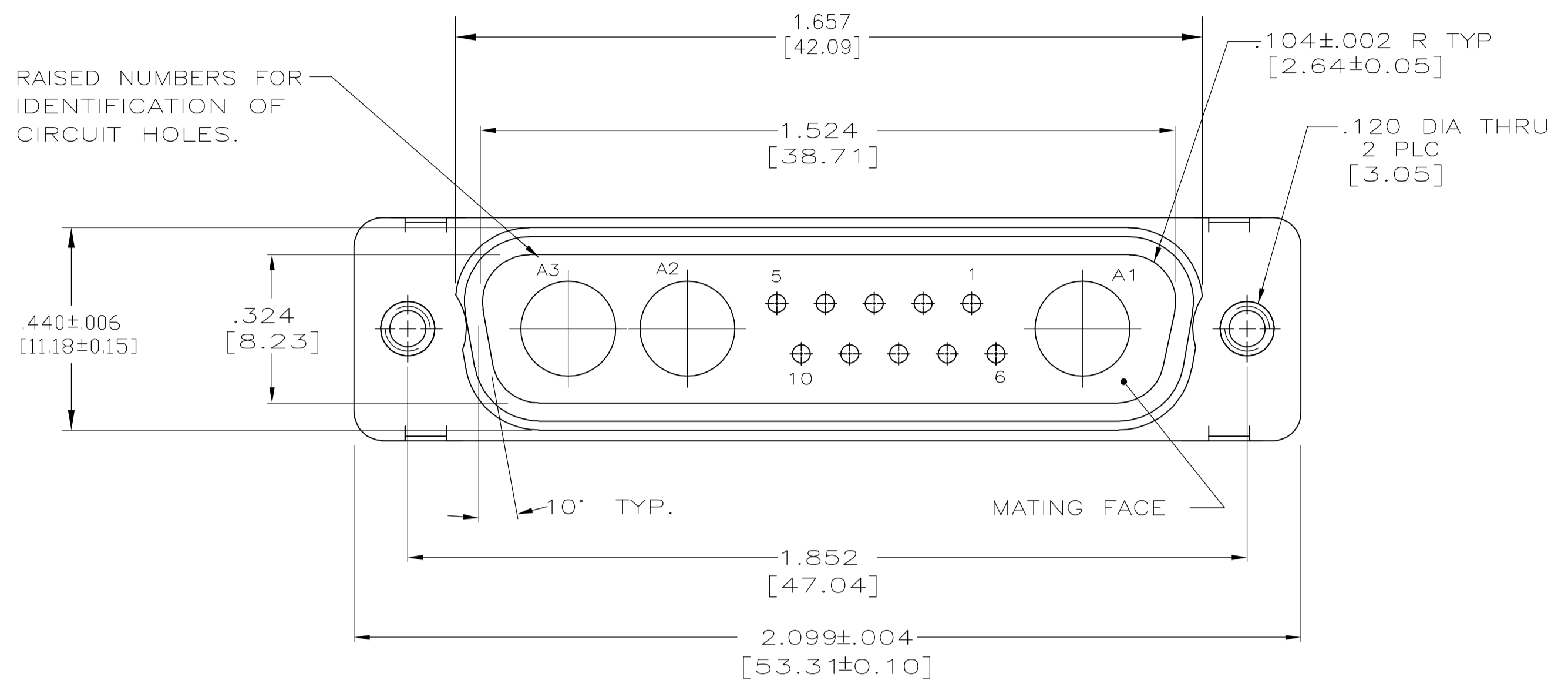
Tel: +86-755-8981 8866 Fax: +86-755-8427 6832

Email & Skype: info@chipsmall.com Web: www.chipsmall.com

Address: A1208, Overseas Decoration Building, #122 Zhenhua RD., Futian, Shenzhen, China



LOC		DIST		REVISIONS				
DF	DO	REV	PER	ECO	DESCRIPTION	DATE	DWN	APVD
C					REV PER ECO 05-13647	4-7-06	CT	DM



- THIS PLUG WILL MATE WITH ANY 13C3, SIZE 3 RECEPTACLE IN AMPLIMITE SERIES.
 - SST RETENTION CLIPS ARE INCLUDED IN INSERTS AT POSITIONS 1 THRU 10
 - THIS PLUG IS DESIGNED TO CONFORM TO THE LATEST ISSUE OF MIL-C-24308.
 - POSITIONS 1 THRU 10 WILL ACCEPT SIZE 20 DM PIN CONTACT M39029/64-369 OR ANY AMP SIZE 20 DF PIN CONTACT.
 - CONTACTS NOT SUPPLIED WITH CONNECTOR
- 6 FINISH: CADMIUM PER QQ-P-416; YELLOW CHROMATE.
7 FINISH: ZINC PLATED PER ASTM-B-633 .000200 MIN THK WITH SUPPLEMENTARY CHROMATE (Cr3+).

7	5-447723-1
6	447723-1
FINISH	PART NO.

THIS DRAWING IS A CONTROLLED DOCUMENT.		DWG: P. YEAGER 2-11-91	Tyco Electronics Corporation Harrisburg, PA 17105-3608
DIMENSIONS: INCHES [mm]		CHK: A. EMADI 2-21-91	
TOLERANCES UNLESS OTHERWISE SPECIFIED:		APVD: A. EMADI 2-21-91	NAME: PLUG ASSEMBLY, AMPLIMITE, COAX MIX, 13C3, SIZE 3 BLINDMATE
0 PLC ± -	1 PLC ± -	2 PLC ± -	3 PLC ± .005 [0.13]
4 PLC ± -	ANGLES ± -	SIZE: A1	
MATERIAL: SEE CALLOUTS		FINISH: SEE CALLOUTS	WEIGHT: -
CUSTOMER DRAWING		SCALE: 4:1	SHEET: 1 OF 1