



Chipsmall Limited consists of a professional team with an average of over 10 year of expertise in the distribution of electronic components. Based in Hongkong, we have already established firm and mutual-benefit business relationships with customers from,Europe,America and south Asia,supplying obsolete and hard-to-find components to meet their specific needs.

With the principle of "Quality Parts,Customers Priority,Honest Operation,and Considerate Service",our business mainly focus on the distribution of electronic components. Line cards we deal with include Microchip,ALPS,ROHM,Xilinx,Pulse,ON,Everlight and Freescale. Main products comprise IC,Modules,Potentiometer,IC Socket,Relay,Connector.Our parts cover such applications as commercial,industrial, and automotives areas.

We are looking forward to setting up business relationship with you and hope to provide you with the best service and solution. Let us make a better world for our industry!



## Contact us

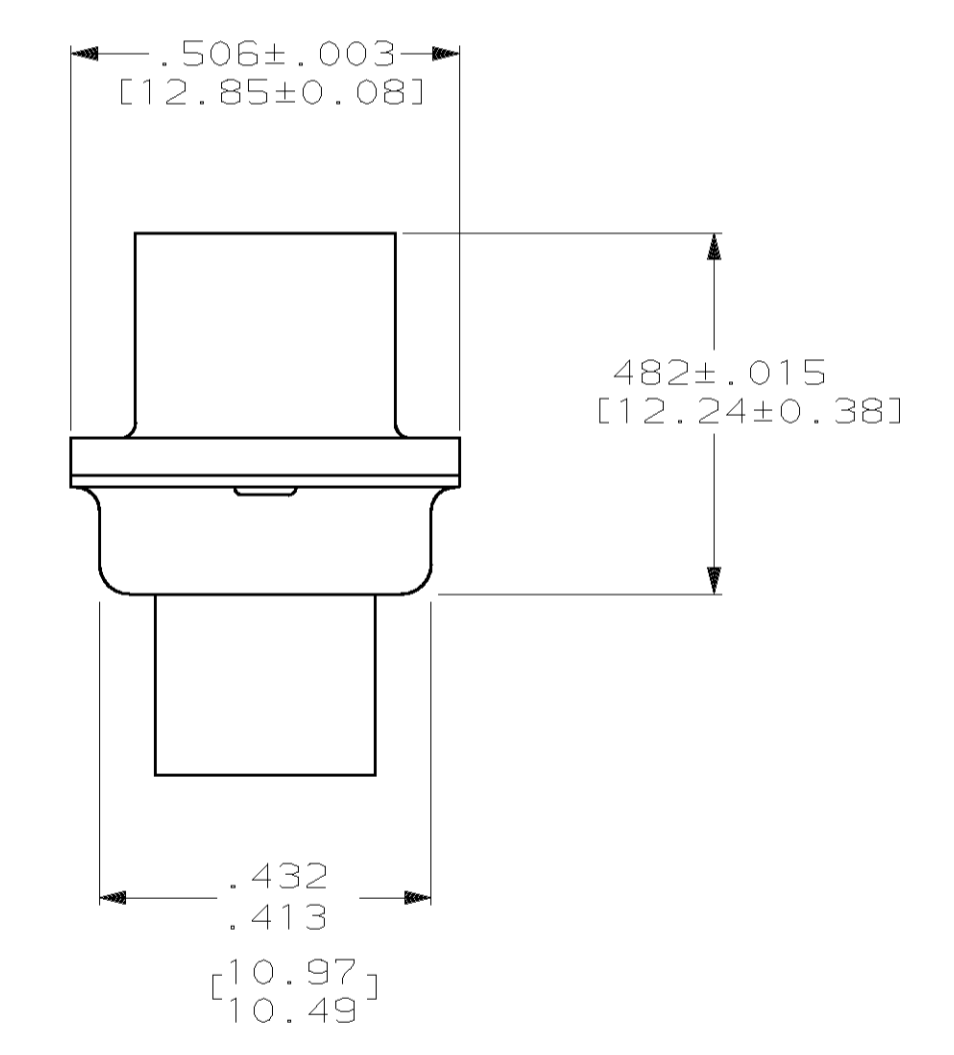
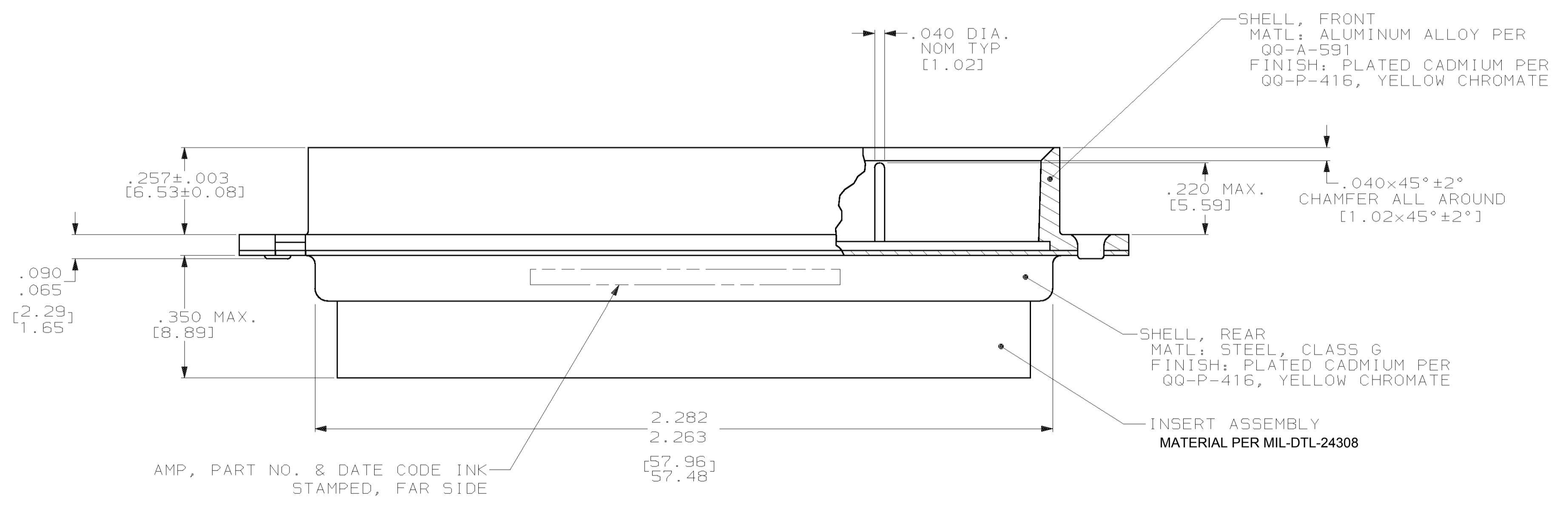
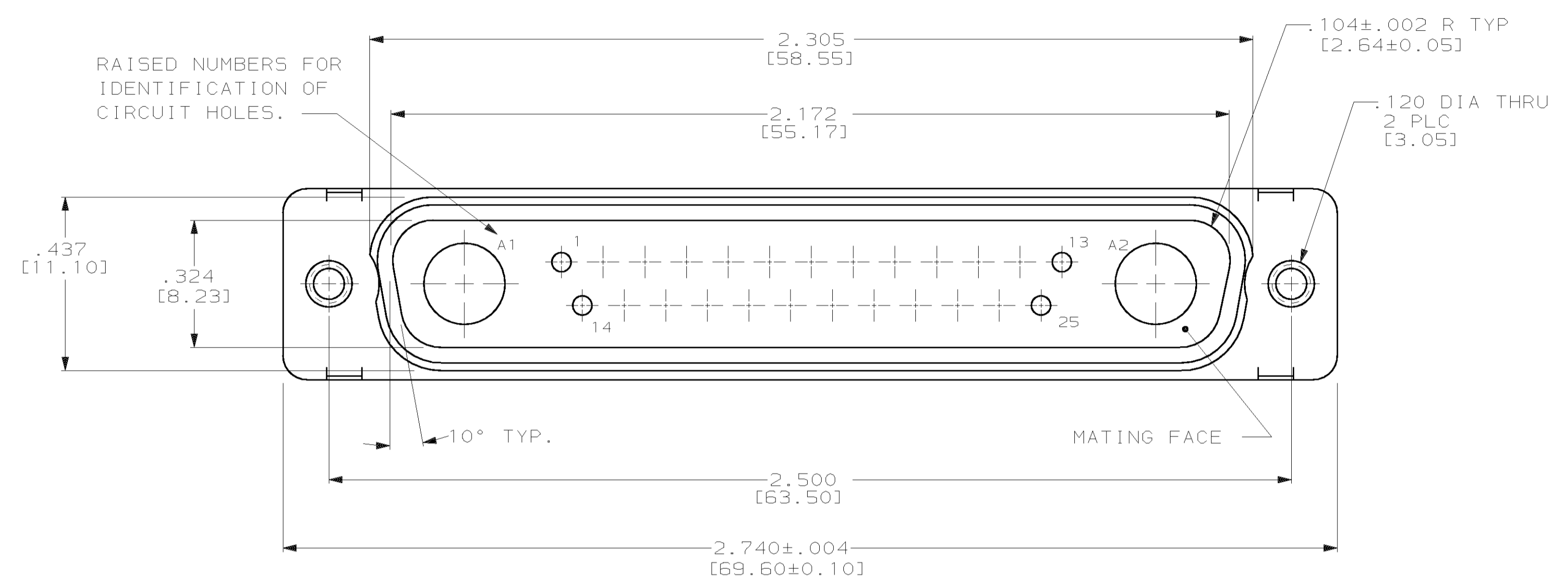
Tel: +86-755-8981 8866 Fax: +86-755-8427 6832

Email & Skype: info@chipsmall.com Web: www.chipsmall.com

Address: A1208, Overseas Decoration Building, #122 Zhenhua RD., Futian, Shenzhen, China



LOC	DIST	REVISIONS				
DF	DO	REV	DESCRIPTION	DATE	OWN	APVD
		0	RELEASED PER NPR 90-0542	2-91	PY	FK
		A	REV PER ECO 15-005922	6-1-15	CT	DM



1. THIS PLUG WILL MATE WITH ANY 27C2, SIZE 4 RECEPTACLE IN AMPLIMITE SERIES.
2. SST RETENTION CLIPS ARE INCLUDED IN INSERTS AT POSITIONS 1 THRU 25
3. THIS PLUG IS DESIGNED TO CONFORM TO THE LATEST ISSUE OF MIL-C-24308.
4. CONNECTOR SUPPLIED WITHOUT CONTACTS; SHOWN FOR ILLUSTRATION ONLY.
5. POSITIONS 1 THRU 25 WILL ACCEPT SIZE 20 DM PIN CONTACT M39029/64-369 OR ANY AMP SIZE 20 DF PIN CONTACT

447732-1  
PART NO.

THIS DRAWING IS A CONTROLLED DOCUMENT.		DWN P. YEAGER 2-14-91	AMP Incorporated Harrisburg, PA 17105-3608
DIMENSIONS: INCHES (mm)		CHK F. KENSEY 2-14-91	
TOLERANCES UNLESS OTHERWISE SPECIFIED:		APVD F. KENSEY 2-14-91	NAME PLUG ASSY, AMPLIMITE, COAX MIX, 27C2, SIZE 4 SERIES 109, BLINDMATE
0 PLC ± 1 PLC ± 2 PLC ± 3 PLC ±.005 (0.13) 4 PLC ±		PRODUCT SPEC APPLICATION SPEC	
MATERIAL SEE CALLOUTS		FINISH SEE CALLOUTS	RESTRICTED TO A1 00779 447732
CUSTOMER DRAWING		SCALE 4:1	SHEET 1 OF 1 REV A