



Chipsmall Limited consists of a professional team with an average of over 10 year of expertise in the distribution of electronic components. Based in Hongkong, we have already established firm and mutual-benefit business relationships with customers from,Europe,America and south Asia,supplying obsolete and hard-to-find components to meet their specific needs.

With the principle of “Quality Parts,Customers Priority,Honest Operation,and Considerate Service”,our business mainly focus on the distribution of electronic components. Line cards we deal with include Microchip,ALPS,ROHM,Xilinx,Pulse,ON,Everlight and Freescale. Main products comprise IC,Modules,Potentiometer,IC Socket,Relay,Connector.Our parts cover such applications as commercial,industrial, and automotives areas.

We are looking forward to setting up business relationship with you and hope to provide you with the best service and solution. Let us make a better world for our industry!



Contact us

Tel: +86-755-8981 8866 Fax: +86-755-8427 6832

Email & Skype: info@chipsmall.com Web: www.chipsmall.com

Address: A1208, Overseas Decoration Building, #122 Zhenhua RD., Futian, Shenzhen, China



4

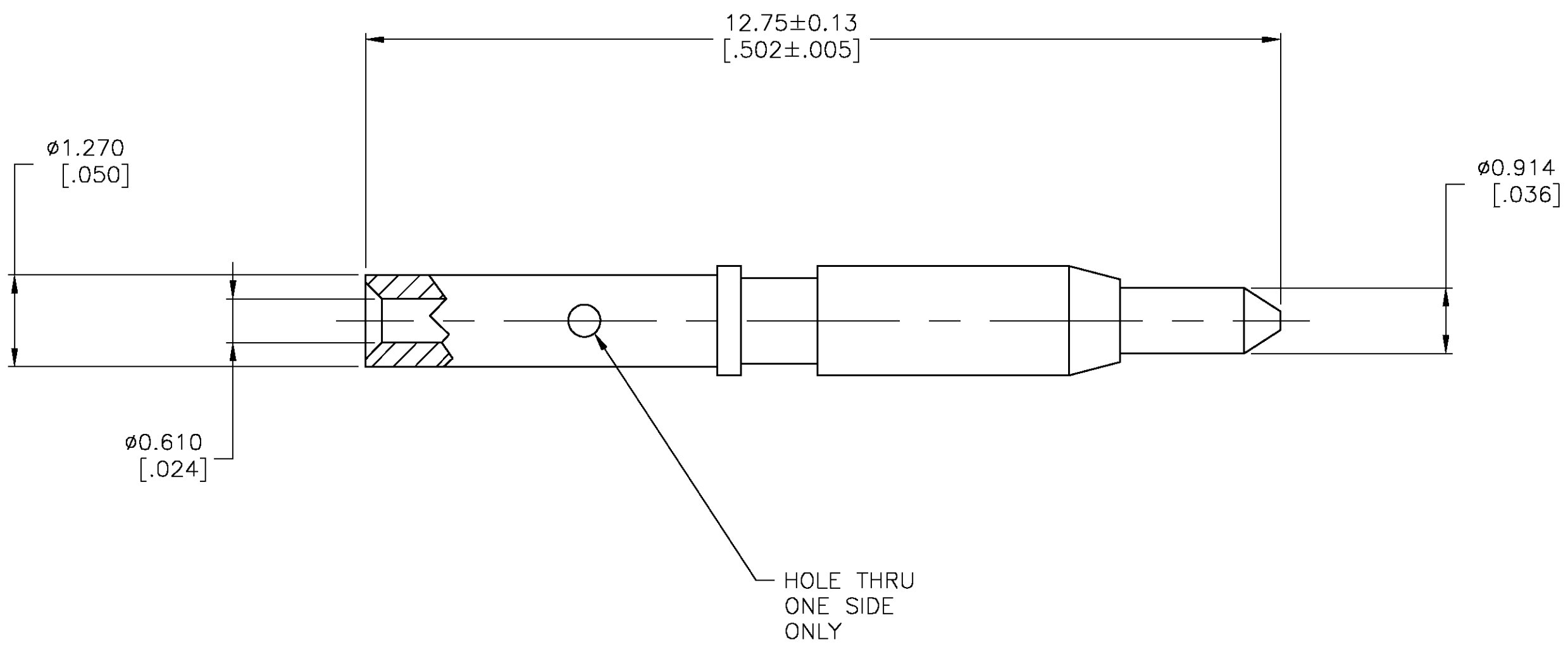
3

2

1

THIS DRAWING IS UNPUBLISHED. RELEASED FOR PUBLICATION
 © COPYRIGHT BY TYCO ELECTRONICS CORPORATION. ALL RIGHTS RESERVED.

LOC	DIST	REVISIONS			
P	LTR	DESCRIPTION	DATE	DWN	APVD
		0	RELEASED PER EC 0S14-0274-03.	16JUN03	JGH/JGH



447790-2
 PART NUMBER

THIS DRAWING IS A CONTROLLED DOCUMENT.		DWN J. HAVENER 16JUN2003	Tyco Electronics Corporation Harrisburg, PA 17105-3608			
DIMENSIONS: MM [INCHES]		CHK J. HAVENER 16JUN03				
		APVD J. HAVENER 16JUN03	NAME CONTACT, PLUG, 3.5 mm BLIND MATE			
TOLERANCES UNLESS OTHERWISE SPECIFIED: 0 PLC ± - 1 PLC ± - 2 PLC ± - 3 PLC ± 0.025 [.001] 4 PLC ± - ANGLES ± 2°		PRODUCT SPEC -	RESTRICTED TO -			
MATERIAL BRASS-ASTM B 16		FINISH GOLD PLATE	APPLICATION SPEC -	SIZE A3	CAGE CODE 00779	DRAWING NO C-447790
CUSTOMER DRAWING			WEIGHT -	SCALE 15:1	SHEET 1 OF 1	REV 0