



Chipsmall Limited consists of a professional team with an average of over 10 year of expertise in the distribution of electronic components. Based in Hongkong, we have already established firm and mutual-benefit business relationships with customers from,Europe,America and south Asia,supplying obsolete and hard-to-find components to meet their specific needs.

With the principle of “Quality Parts,Customers Priority,Honest Operation,and Considerate Service”,our business mainly focus on the distribution of electronic components. Line cards we deal with include Microchip,ALPS,ROHM,Xilinx,Pulse,ON,Everlight and Freescale. Main products comprise IC,Modules,Potentiometer,IC Socket,Relay,Connector.Our parts cover such applications as commercial,industrial, and automotives areas.

We are looking forward to setting up business relationship with you and hope to provide you with the best service and solution. Let us make a better world for our industry!



## Contact us

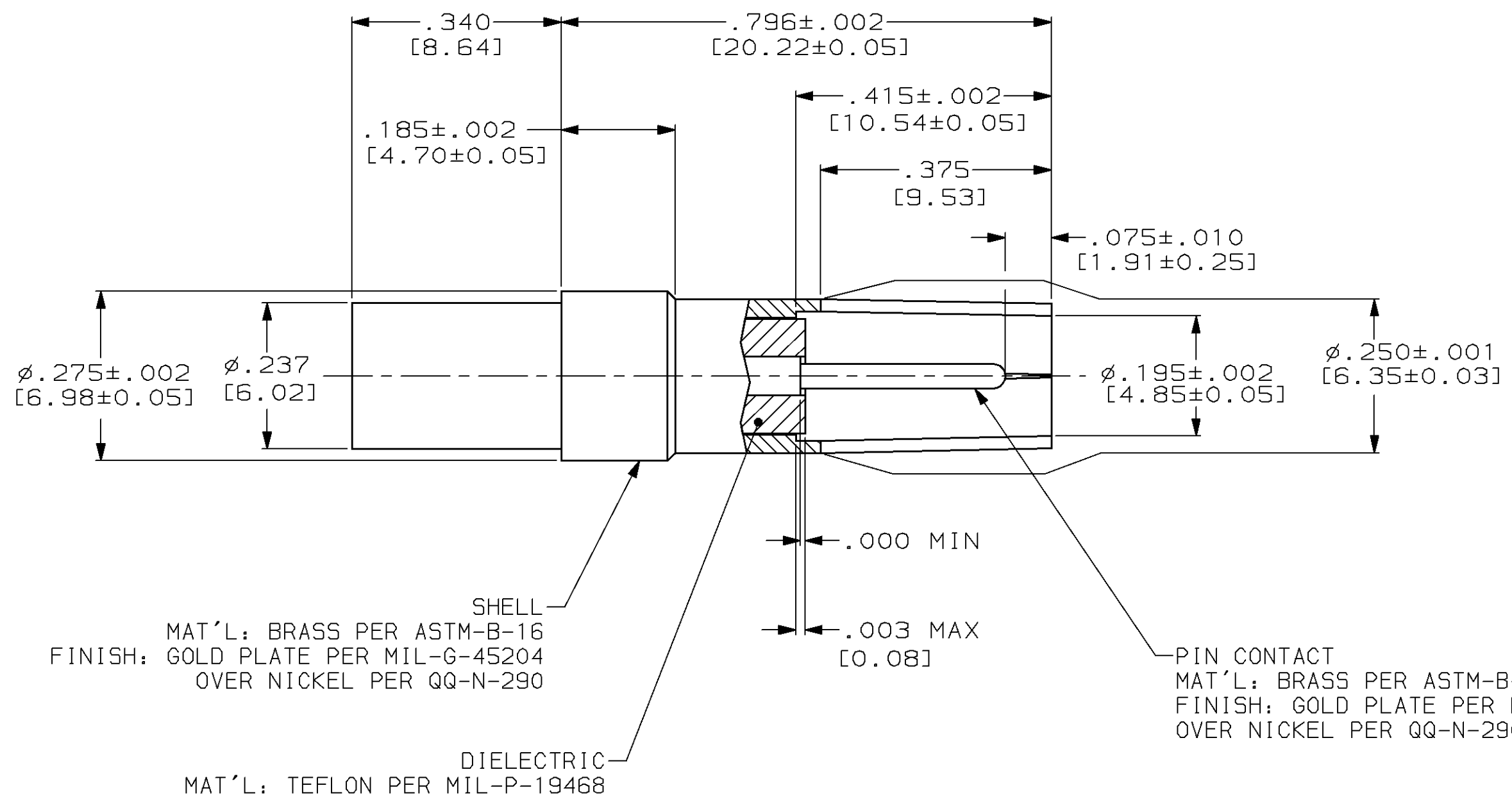
Tel: +86-755-8981 8866 Fax: +86-755-8427 6832

Email & Skype: info@chipsmall.com Web: www.chipsmall.com

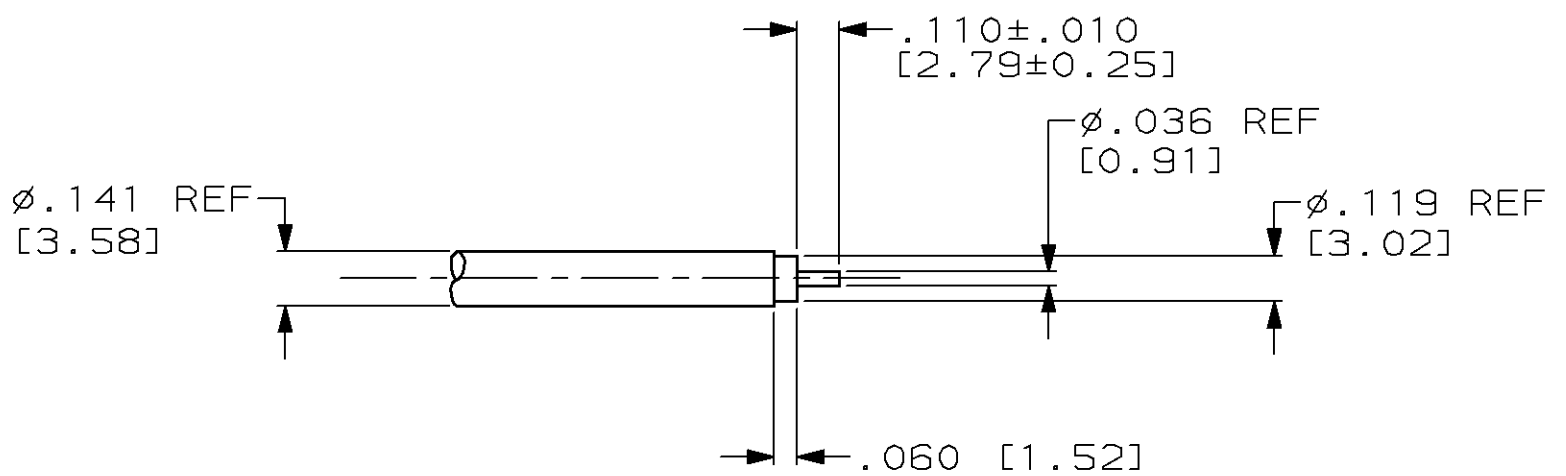
Address: A1208, Overseas Decoration Building, #122 Zhenhua RD., Futian, Shenzhen, China



PROD CODE	LOC	DIST	P	F	ZONE	LTR	DESCRIPTION	DATE	APPD
3321	DF	XO				B	REV PER 0600-6086-96 CT	11-97	JW



1. FOR USE WITH RG-402, .141 SEMI-RIGID CABLE
2. CABLE CRIMP: USE MILITARY TOOL M22520/5-01, WITH DIE SET M22520/5-11, CAVITY A OR EQUIVALENT
3. CENTER CONTACT CRIMP: USE MILITARY TOOL M22520/2-01, WITH DANIELS POSITIONER K345, SELECTOR SETTING #5



447853

B

A

447853-3

PART NO.

DO NOT SCALE PRINT. UNLESS SPECIFIED DIMENSIONS IN INCHES [mm] TOLERANCES ON: 2 PLC DEC ± - 3 PLC DEC ± .005 [0.13] ANGLES ± -	DR 7-14-92 C.C. THOMAS	AMP Incorporated Harrisburg, PA 17105-3608		
	CHK 7-20-92 J. CABARLO			
MATERIAL	APPD 7-20-92 J. CABARLO	NAME COAXIAL CONTACT, SOCKET, SIZE 9		
FINISH	APPD 7-20-92 C.C. THOMAS	SIZE C	CAGE CODE 00779	DRAWING NO 447853
	PRODUCT SPEC	SCALE 5:1		SHEET 1 OF 1
	APPLICATION SPEC			
	WEIGHT			