



Chipsmall Limited consists of a professional team with an average of over 10 year of expertise in the distribution of electronic components. Based in Hongkong, we have already established firm and mutual-benefit business relationships with customers from,Europe,America and south Asia,supplying obsolete and hard-to-find components to meet their specific needs.

With the principle of “Quality Parts,Customers Priority,Honest Operation,and Considerate Service”,our business mainly focus on the distribution of electronic components. Line cards we deal with include Microchip,ALPS,ROHM,Xilinx,Pulse,ON,Everlight and Freescale. Main products comprise IC,Modules,Potentiometer,IC Socket,Relay,Connector.Our parts cover such applications as commercial,industrial, and automotives areas.

We are looking forward to setting up business relationship with you and hope to provide you with the best service and solution. Let us make a better world for our industry!



Contact us

Tel: +86-755-8981 8866 Fax: +86-755-8427 6832

Email & Skype: info@chipsmall.com Web: www.chipsmall.com

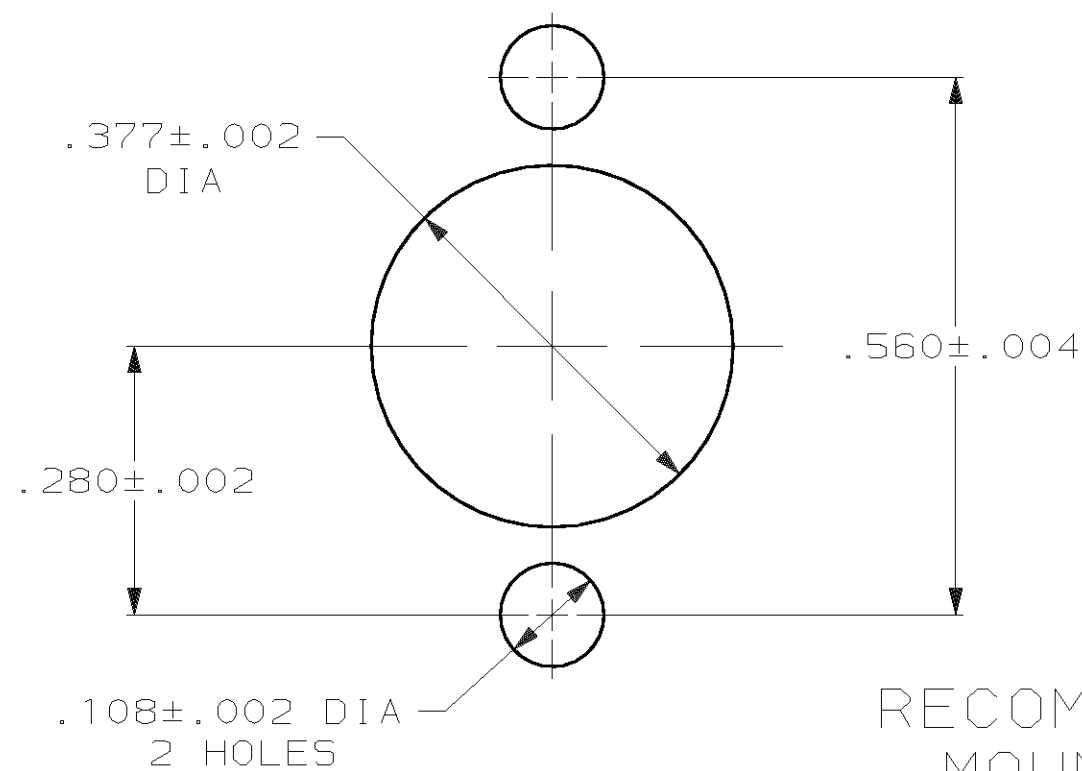
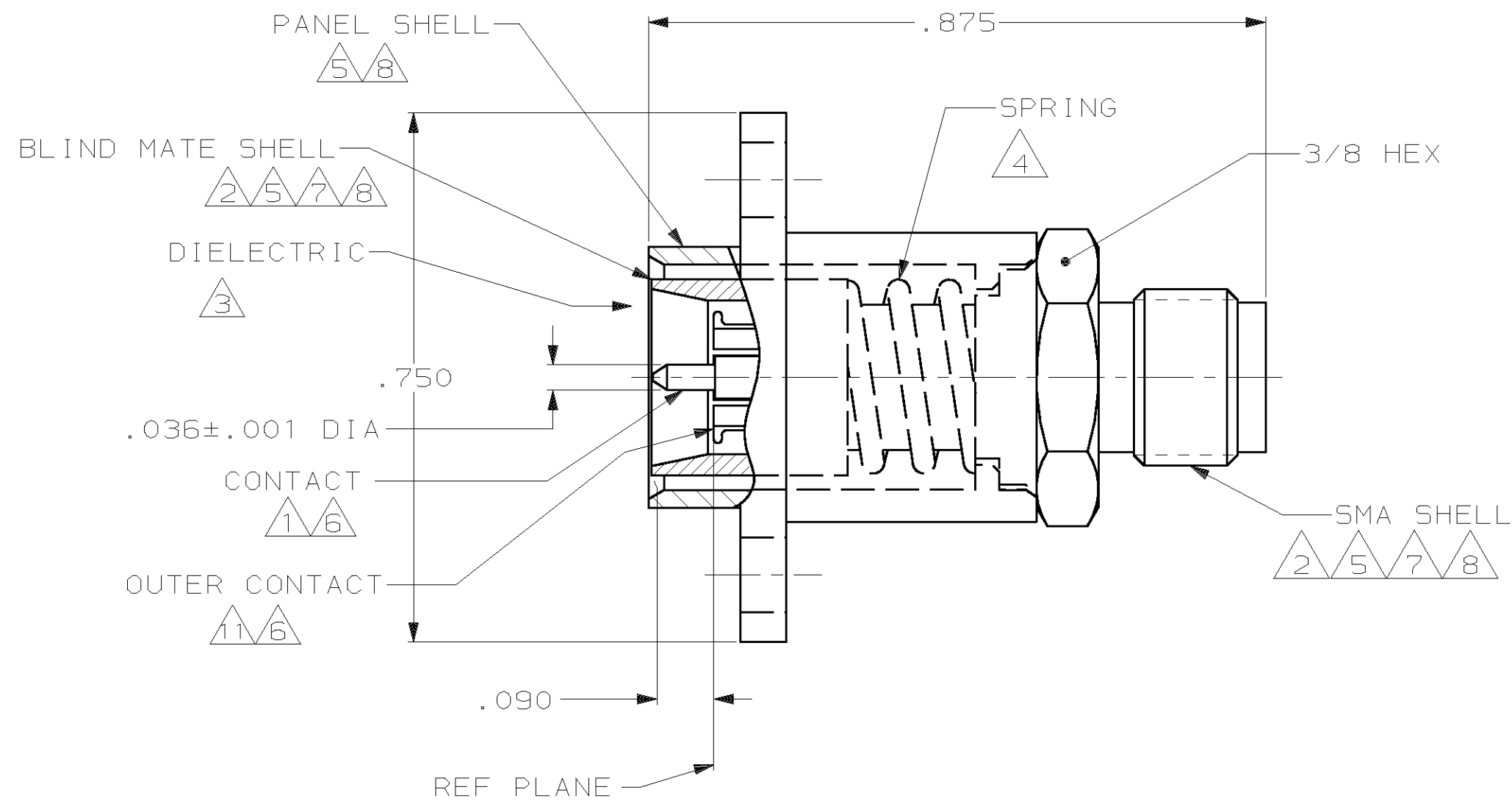
Address: A1208, Overseas Decoration Building, #122 Zhenhua RD., Futian, Shenzhen, China



THIS DRAWING IS UNPUBLISHED. RELEASED FOR PUBLICATION, 19
 © COPYRIGHT 19 BY AMP INCORPORATED, HARRISBURG, PA. ALL INTERNATIONAL RIGHTS RESERVED. AMP PRODUCTS MAY BE COVERED BY U.S. AND FOREIGN PATENTS AND/OR PATENTS PENDING.

LOC	DIST	P	F	ZONE	LTR	DESCRIPTION	DATE	APPROVED
AJ	16				G	REV PER 0514-0177-02	20FEB03	JGH

- 1 BERYLLIUM COPPER PER ASTM-B-196
- 2 STAINLESS STEEL PER ASTM-A-582
- 3 PTFE PER ASTM-D-1710
- 4 STEEL WIRE PER QQ-W-470
- 5 BRASS PER ASTM-B-16
- 6 GOLD PL PER MIL-G-45204
- 7 PASSIVATION PER QQ-P-35
- 8 NICKEL PL PER QQ-N-290
- 9 .190 MAX PANEL THICKNESS
- 10 .060 MAX FLOAT PERMITTED DUE TO INTERNAL SPRING
- 11 BOILLAT B05 PER UNS 53800



RECOMMENDED MOUNTING HOLES

SUPSD BY 448091-2

2, 7	448091-2
5, 9	448091-1
SMA SHELL MAT'L/FINISH	PART NUMBER

UNLESS OTHERWISE SPECIFIED DIMENSIONS ARE IN INCHES TOLERANCES ON:		DR S. BURKHOLDER 14MAY98		AMP INCORPORATED Harrisburg, Pa. 17105	
2 PL DEC ±		CHK J. HAVENER 14MAY98			
3 PL DEC ± .005		APPD S. BURKHOLDER 14MAY98		NAME ADAPTER, PLUG, FLOATING, 3.5MM BLIND MATE, TO JACK, SMA	
ANGLES ±		APPD J. HAVENER 14MAY98			
MATERIAL	1 THRU 5 & 11	PRODUCT SPEC		SIZE	C
FINISH	6 THRU 8	APPLICATION SPEC		FSCM NO	00779
		WEIGHT		DRAWING NO	448091
				SCALE	5:1
				SHEET 1 OF 1	