



Chipsmall Limited consists of a professional team with an average of over 10 year of expertise in the distribution of electronic components. Based in Hongkong, we have already established firm and mutual-benefit business relationships with customers from,Europe,America and south Asia,supplying obsolete and hard-to-find components to meet their specific needs.

With the principle of “Quality Parts,Customers Priority,Honest Operation,and Considerate Service”,our business mainly focus on the distribution of electronic components. Line cards we deal with include Microchip,ALPS,ROHM,Xilinx,Pulse,ON,Everlight and Freescale. Main products comprise IC,Modules,Potentiometer,IC Socket,Relay,Connector.Our parts cover such applications as commercial,industrial, and automotives areas.

We are looking forward to setting up business relationship with you and hope to provide you with the best service and solution. Let us make a better world for our industry!



Contact us

Tel: +86-755-8981 8866 Fax: +86-755-8427 6832

Email & Skype: info@chipsmall.com Web: www.chipsmall.com

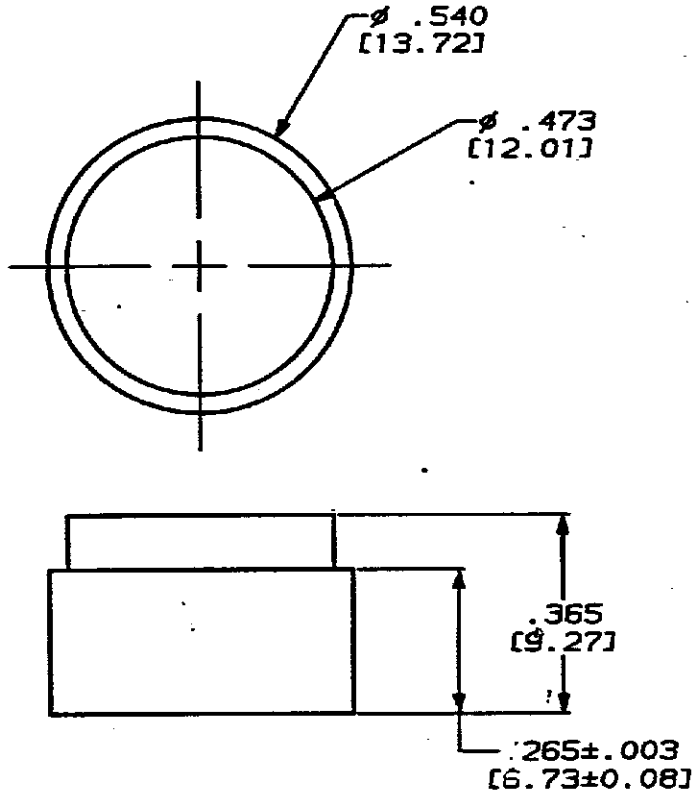
Address: A1208, Overseas Decoration Building, #122 Zhenhua RD., Futian, Shenzhen, China



DRAWING MADE IN THIRD ANGLE PROJECTION

PROD 4971 CODE	LOC DF	DIST AO	REVISIONS				DATE	APPROVED
			P	F	LTR	DESCRIPTION		
			✓		0	RELEASED PER NPR 91-0288	T.S.	-

THIS DRAWING IS UNPUBLISHED. RELEASED FOR PUBLICATION BY AMP INCORPORATED. ALL INTERNATIONAL RIGHTS RESERVED. © COPYRIGHT 19



448143-1

PART NO

DO NOT SCALE PRINT.
UNLESS SPECIFIED
DIMENSIONS IN INCHES (mm)
TOLERANCES ON:
DIM. P.L.C. DEC *
P.L.C. DEC * .005 (0.127)
ANGLES *

OR 9-18-61
T. SNEY
CHK 9-18-61
J. WRIGHT
APPD 9-18-61
S. WRIGHT



AMP Incorporated
Harrisburg, PA 17105-3608

MATERIAL
TEFLON PER
MIL-P-19468A

APPD -
PRODUCT SPEC -

NAME
PLUG, SEALING,
SIZE ONE, ARINC 600

FINISH

APPLICATION SPEC -

SIZE
A

CAGE CODE
00779

DRAWING NO
448143

WEIGHT -

SCALE
4:1

SHEET
1 of 1

AMP 1489-32 REV 11-65

10 3P 100 16-G-6 AMP INC 448143-1 (REV. 11-65)

CUSTOMER DRAWING