



Chipsmall Limited consists of a professional team with an average of over 10 year of expertise in the distribution of electronic components. Based in Hongkong, we have already established firm and mutual-benefit business relationships with customers from,Europe,America and south Asia,supplying obsolete and hard-to-find components to meet their specific needs.

With the principle of “Quality Parts,Customers Priority,Honest Operation,and Considerate Service”,our business mainly focus on the distribution of electronic components. Line cards we deal with include Microchip,ALPS,ROHM,Xilinx,Pulse,ON,Everlight and Freescale. Main products comprise IC,Modules,Potentiometer,IC Socket,Relay,Connector.Our parts cover such applications as commercial,industrial, and automotives areas.

We are looking forward to setting up business relationship with you and hope to provide you with the best service and solution. Let us make a better world for our industry!



Contact us

Tel: +86-755-8981 8866 Fax: +86-755-8427 6832

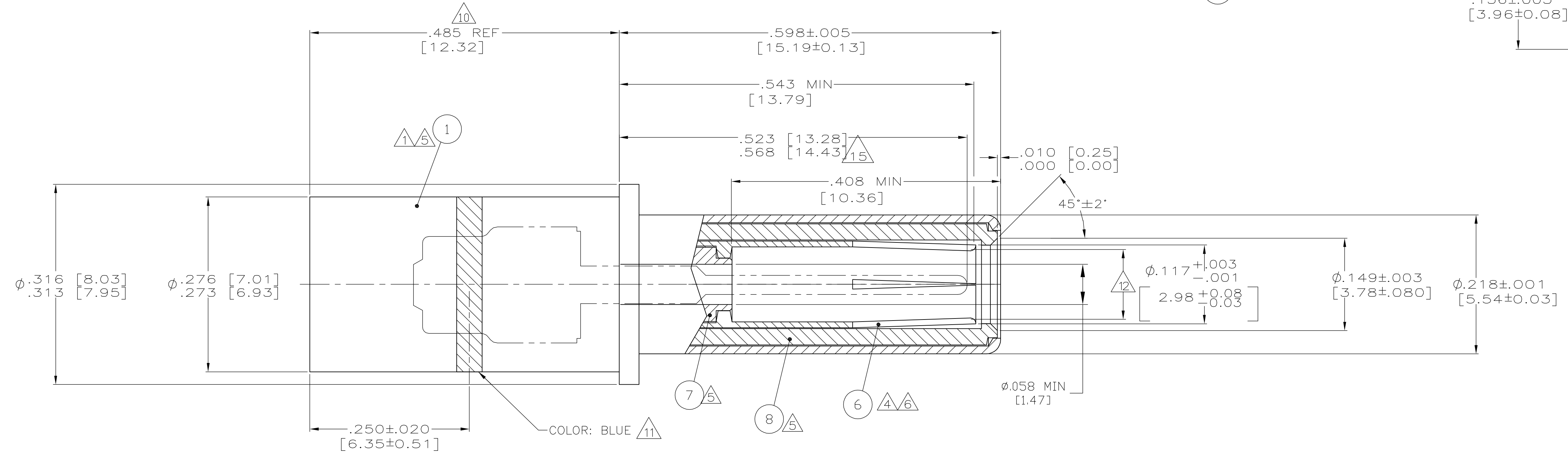
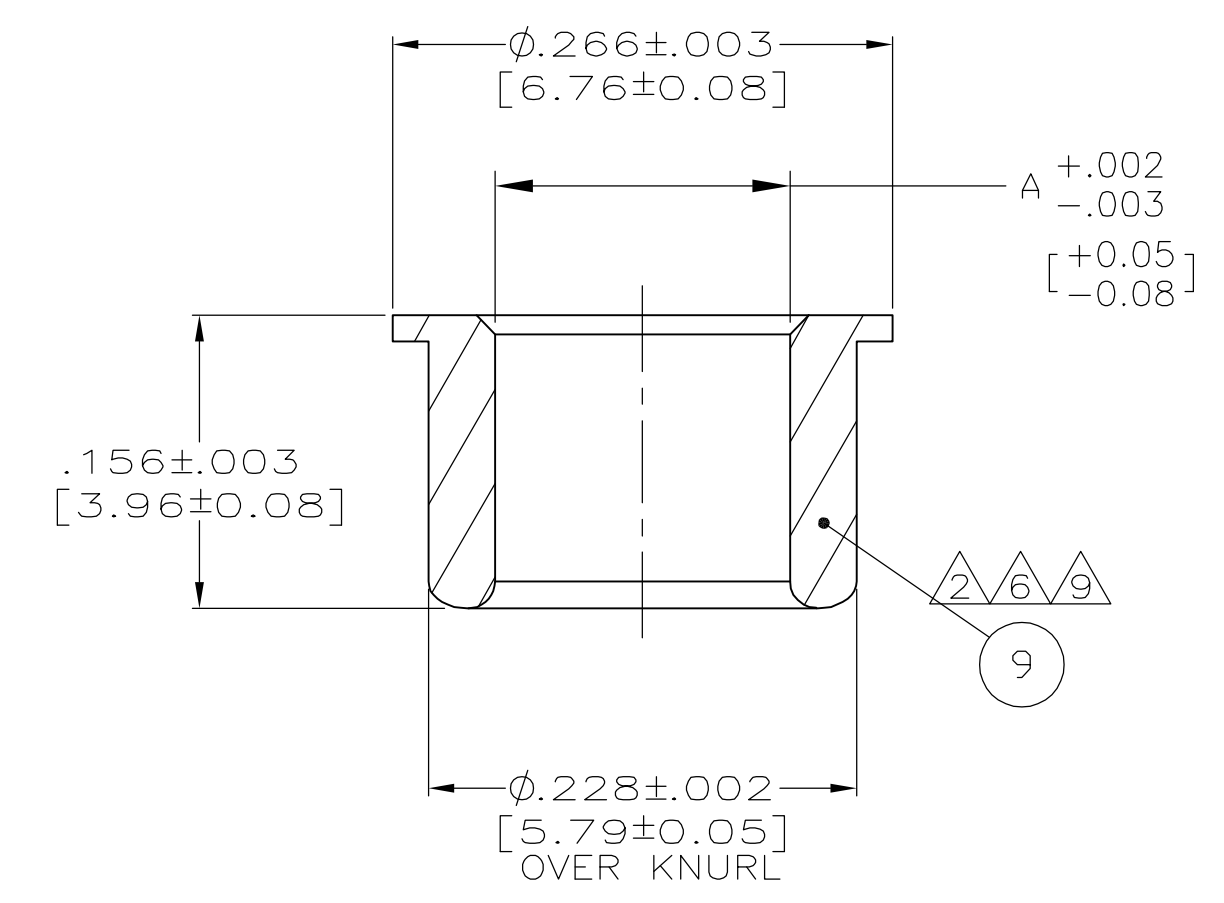
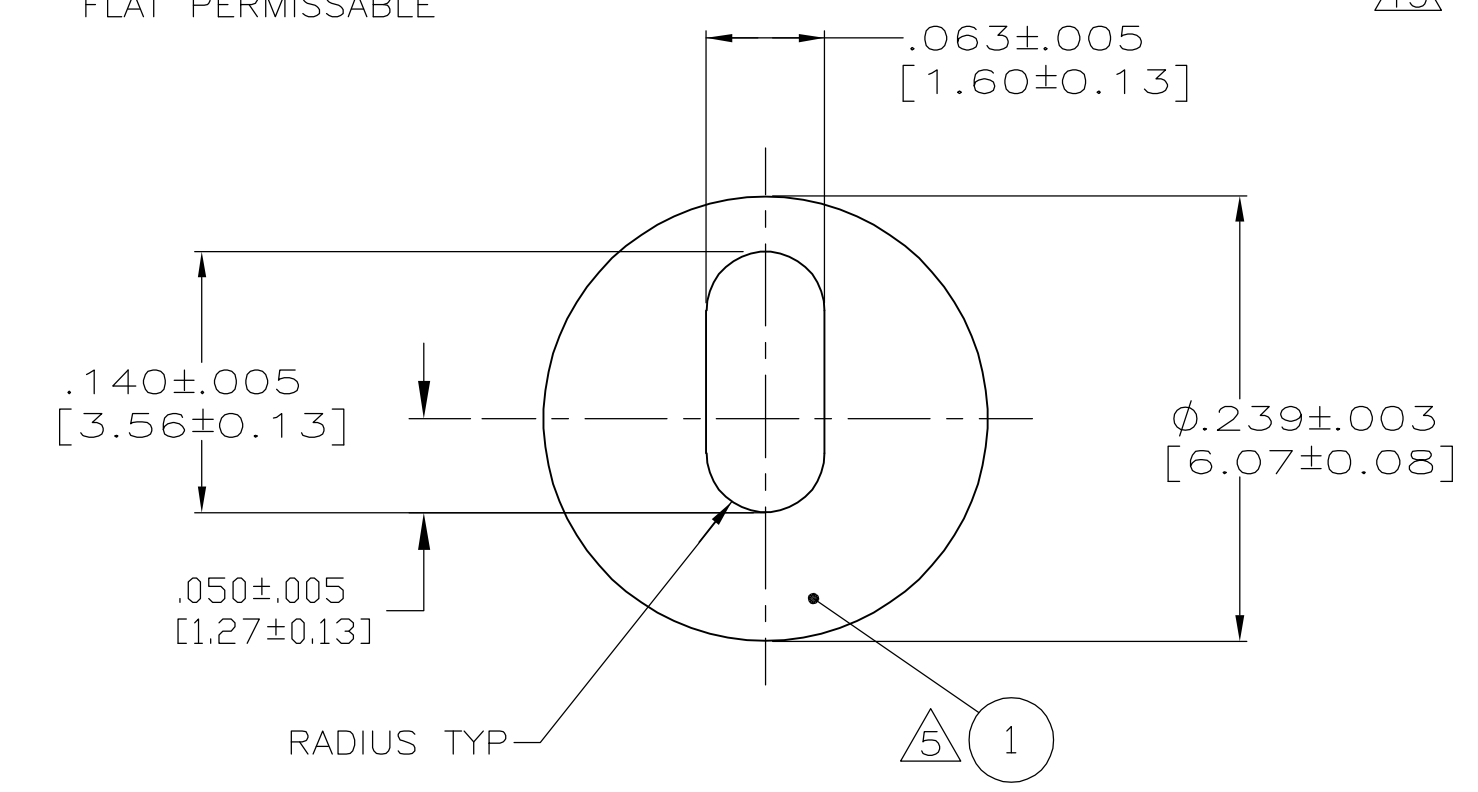
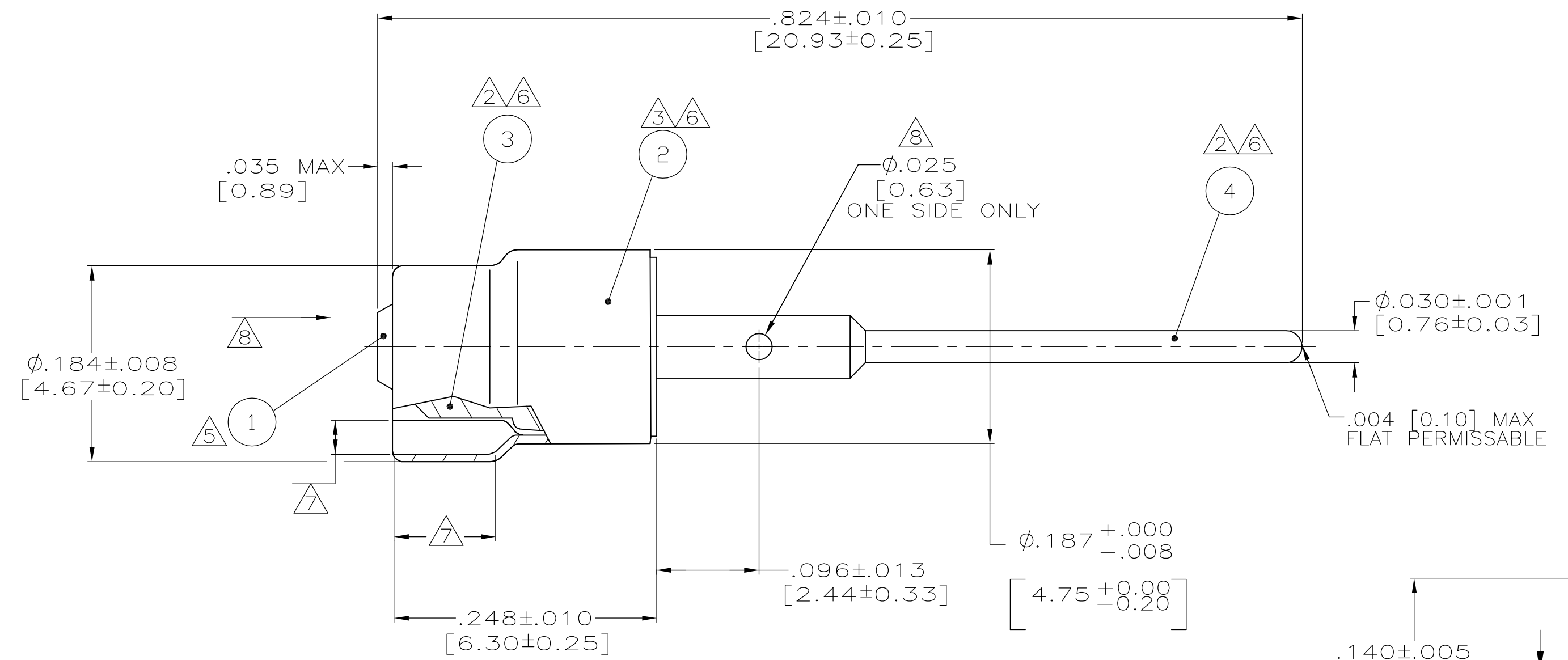
Email & Skype: info@chipsmall.com Web: www.chipsmall.com

Address: A1208, Overseas Decoration Building, #122 Zhenhua RD., Futian, Shenzhen, China



LOC	DIST	REVISIONS			
P	LTR	DESCRIPTION	DATE	DMN	APVD
D		REV PER ECO 07-001007	1-16-07	CT	RG

1. PRODUCT DESIGNED TO MEET BOEING S280W552 DRAWING
2. MAT'L: BRASS PER ASTM-B-16
3. MAT'L: COPPER PER ASTM-B-152.
4. MAT'L: BERYLLIUM COPPER PER ASTM-B-196.
5. MAT'L: PTFE PER ASTM-D-1710.
6. FINISH: GOLD PLATE PER MIL-G-45204, TYPE 1, GRADE C, CLASS 1 OVER NICKEL .000050 [0.0013] THK PER QQ-N-290, CLASS 2.
7. A .0285 [0.72] GAGE PIN MUST ENTER FOR A LENGTH OF .085 [2.16] MIN.
8. .028 [0.71] GD - .030 [0.76] NO GD GAGE WILL ENTER TO A DEPTH OF SIGHT HOLE.
9. 160 DP. FULL DIAMOND KNURL OVER THIS LENGTH.
10. .533 [13.54] MAX AFTER TERMINATION TO CABLE.
11. COLOR CODED PER MIL-C-39029, .020-.050 [0.51-1.27] WIDTH.
12. MATES WITH A .113±.001 [2.67±0.03] PIN.
13. BAG MARKED WITH CUSTOMER P/N S280W552-103.
14. BAG MARKED WITH CUSTOMER P/N S280W552-203.
15. DIMENSION IS AFTER ASSEMBLY, TO END OF CENTER CONTACT AFTER CRIMPING, PIN TO BE POSITIONED WITH $\oplus .030$ $\ominus .010$ $\oplus .010$



.174 [4.42]	---	RAYCHEM 10614	448313-3
.157 [3.99]	14	TENSOLITE 24463/9P025X-2(LD) OR TENSOLITE 24463/9B017X-2(LD) (OBSOLETE)	448313-2
OBSOLETE	---	TENSOLITE 24463/9P025X-2(LD) OR TENSOLITE 24463/9B017X-2(LD) (OBSOLETE)	448313-1
DIM A	REMARKS	CABLE REF	PART NO

BUSHING	10
FERRULE	9
DIELECTRIC, OUTER, FRONT	8
DIELECTRIC	7
CONTACT, INTERMEDIATE, SIZE 8	6
SHELL, OUTER, PIN	5
CONTACT, CENTER, PIN	4
SHELL, CRIMP END	3
FERRULE	2
DIELECTRIC	1
DESCRIPTION	ITEM NO.

THIS DRAWING IS A CONTROLLED DOCUMENT.

DWG: C.C. THOMAS 8-27-92
 DFK: C.SHELLY 12-14-92
 APVD: C.SHELLY 12-14-92

AMP Tyco Electronics Corporation
 Harrisburg, PA 17105-3608

PIN CONTACT, SIZE 8, REAR RELEASE
 CONCENTRIC TWINAX

SIZE: A1 CAGE CODE: 00779 DRAWING NO: 108-12092
 114-12010

RESTRICTED TO: ---

SCALE: 10:1 SHEET 1 OF 1 REV D