



Chipsmall Limited consists of a professional team with an average of over 10 year of expertise in the distribution of electronic components. Based in Hongkong, we have already established firm and mutual-benefit business relationships with customers from,Europe,America and south Asia,supplying obsolete and hard-to-find components to meet their specific needs.

With the principle of “Quality Parts,Customers Priority,Honest Operation,and Considerate Service”,our business mainly focus on the distribution of electronic components. Line cards we deal with include Microchip,ALPS,ROHM,Xilinx,Pulse,ON,Everlight and Freescale. Main products comprise IC,Modules,Potentiometer,IC Socket,Relay,Connector.Our parts cover such applications as commercial,industrial, and automotives areas.

We are looking forward to setting up business relationship with you and hope to provide you with the best service and solution. Let us make a better world for our industry!



## Contact us

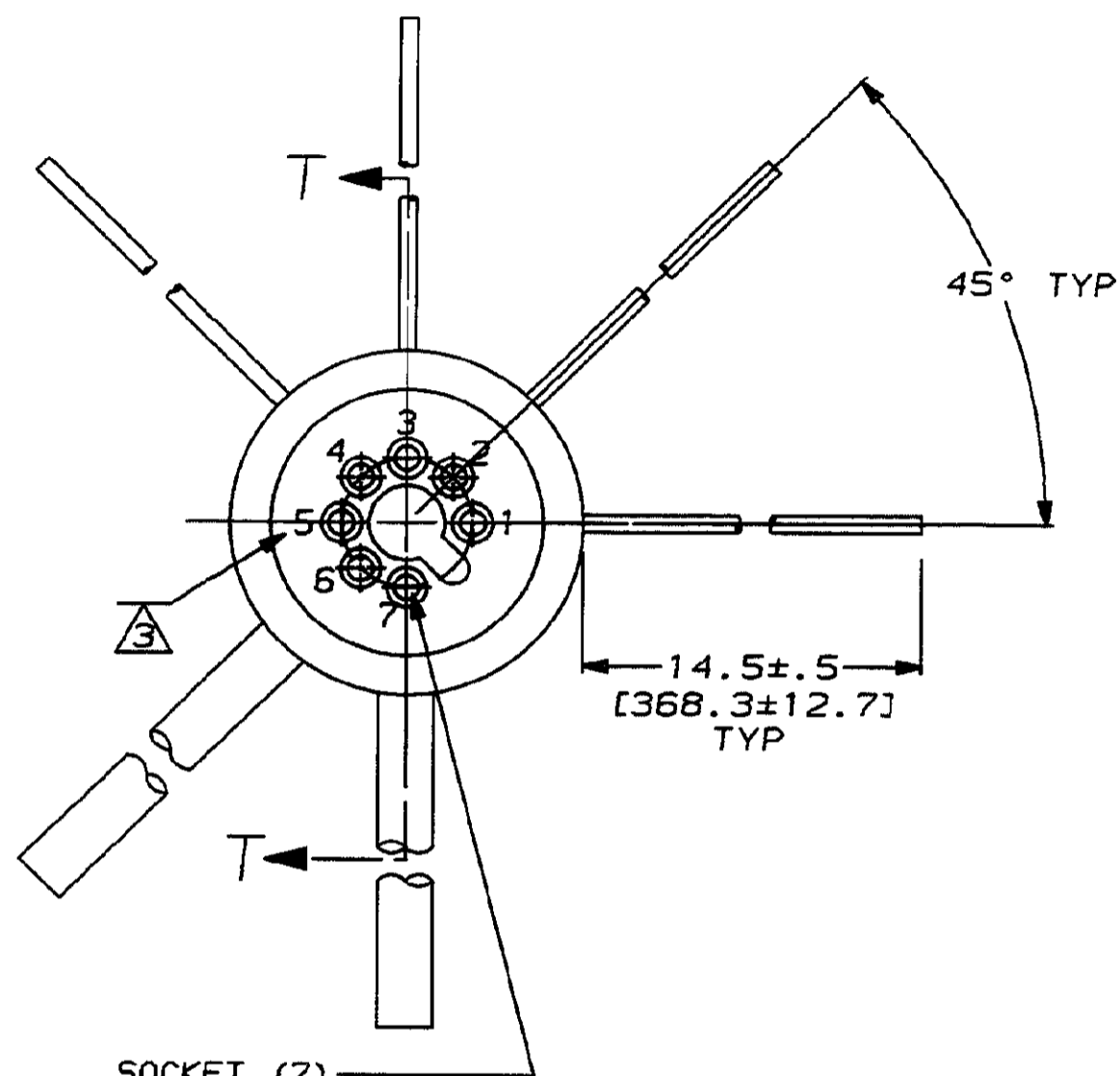
Tel: +86-755-8981 8866 Fax: +86-755-8427 6832

Email & Skype: info@chipsmall.com Web: www.chipsmall.com

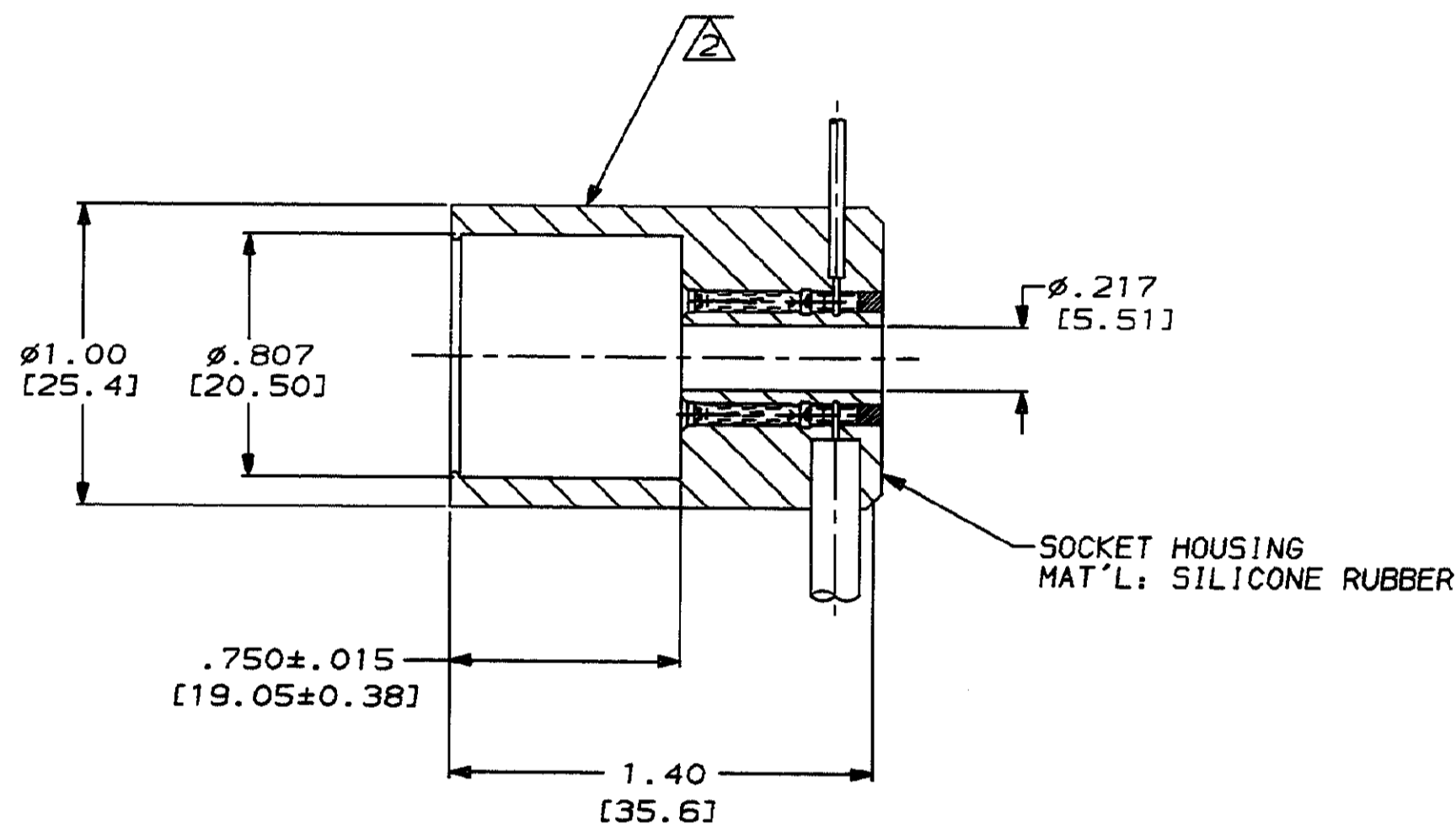
Address: A1208, Overseas Decoration Building, #122 Zhenhua RD., Futian, Shenzhen, China



PROG	LOC	DIST	P	F	ZONE	LTR	DESCRIPTION	DATE	APPD
4092	DF	50					RELEASED PER NPR 92-137 CT	5-92	DE
							REVIESED PER DF-6397 CT	7-92	DE
							REVIESED PER DF-6480 CT	7-92	DE
							REVIESED PER DF-6527 CT	7-92	CS



SOCKET (7)  
 MAT'L: COPPER ALLOY APPROVED  
 PER MIL-C-39029  
 FINISH: GOLD PER MIL-G-45204



SECTION T-T

- ① TEFLON INSULATED WIRE PER MIL-W-16878/5
- ② AMP INFORMATION MARKED PER MIL-STD-130.
- ③ NUMBERS SHOWN FOR REFERANCE ONLY.

448335-1  
 PART NO.

PIN	COLOR	AWG	INSULATION	O.D.
7	BLUE	#20 AWG	SILICONE	.161
6	RED	#20 AWG	SILICONE	.161
5	-	-	-	-
4	BLACK	#22 AWG	TEFLON ①	.050
3	BROWN	#22 AWG	TEFLON ①	.050
2	YELLOW	#22 AWG	TEFLON ①	.050
1	GREEN	#22 AWG	TEFLON ①	.050

THIS DRAWING IS A CONTROLLED DOCUMENT FOR AMP INCORPORATED. IT IS SUBJECT TO CHANGE AND THE CONTROLLING ENGINEERING ORGANIZATION SHOULD BE CONTACTED FOR THE LATEST REVISION.

DO NOT SCALE PRINT. UNLESS SPECIFIED DIMENSIONS IN INCHES [mm] TOLERANCES ON: 2 PLC DEC ± .01 [0.3] 3 PLC DEC ± .005 [0.13] ANGLES ± 0°30'	DR 5-20-92 C.C.THOMAS CHK 5-27-92 D.EABY APPD 5-27-92 D.EABY APPD 5-27-92 C.C.THOMAS PRODUCT SPEC	<b>AMP</b> AMP Incorporated Harrisburg, PA 17105-3608 NAME TUBE BASE, LGH, 7 POSN. EIA E7-91
MATERIAL SEE CALLOUTS	APPLICATION SPEC -	
FINISH SEE CALLOUTS	WEIGHT -	SIZE C CAGE CODE 00779 DRAWING NO C-448335 SCALE 2:1 SHEET 1 OF 1

CUSTOMER DRAWING