



Chipsmall Limited consists of a professional team with an average of over 10 year of expertise in the distribution of electronic components. Based in Hongkong, we have already established firm and mutual-benefit business relationships with customers from,Europe,America and south Asia,supplying obsolete and hard-to-find components to meet their specific needs.

With the principle of "Quality Parts,Customers Priority,Honest Operation,and Considerate Service",our business mainly focus on the distribution of electronic components. Line cards we deal with include Microchip,ALPS,ROHM,Xilinx,Pulse,ON,Everlight and Freescale. Main products comprise IC,Modules,Potentiometer,IC Socket,Relay,Connector.Our parts cover such applications as commercial,industrial, and automotives areas.

We are looking forward to setting up business relationship with you and hope to provide you with the best service and solution. Let us make a better world for our industry!



Contact us

Tel: +86-755-8981 8866 Fax: +86-755-8427 6832

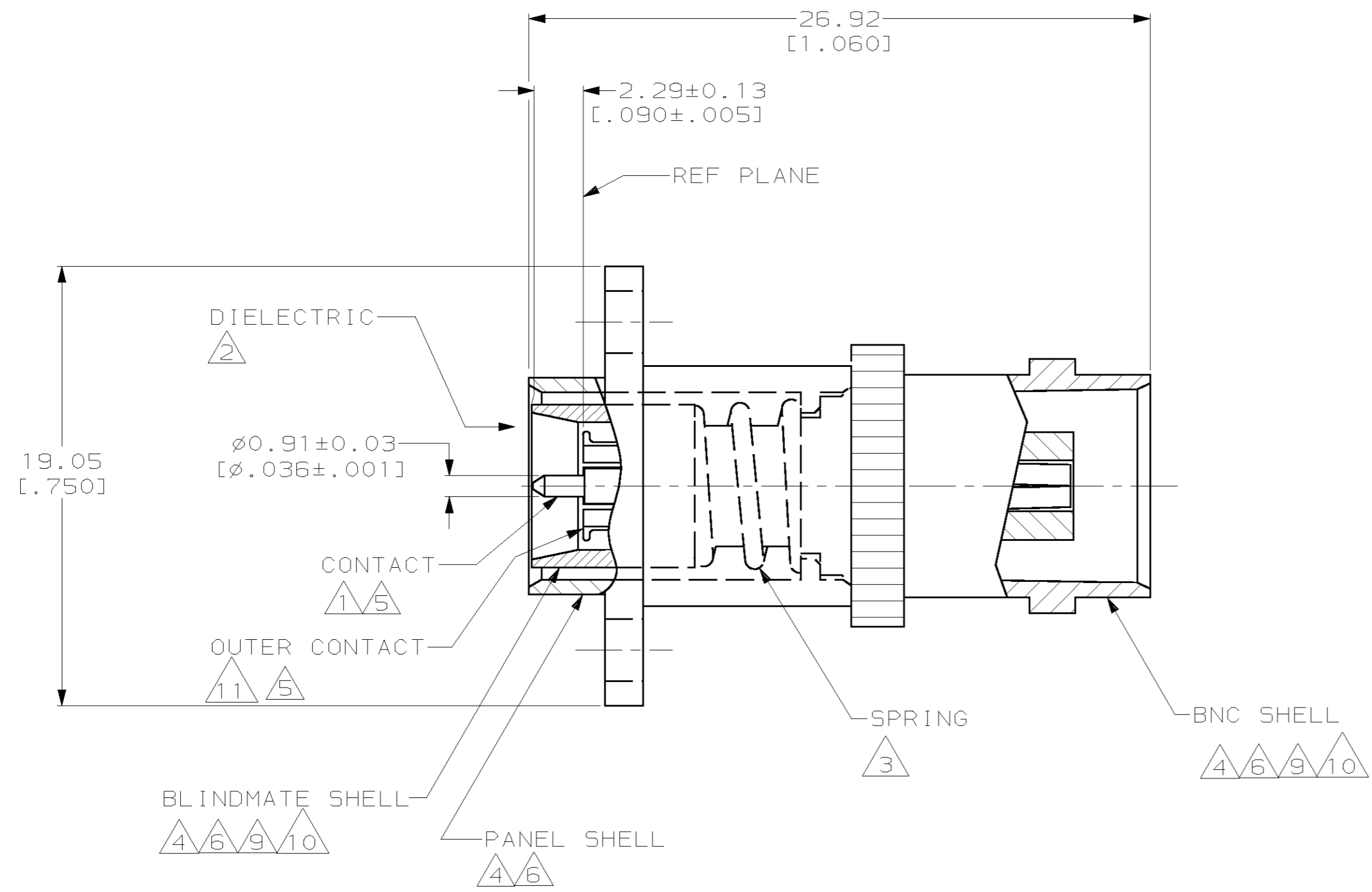
Email & Skype: info@chipsmall.com Web: www.chipsmall.com

Address: A1208, Overseas Decoration Building, #122 Zhenhua RD., Futian, Shenzhen, China

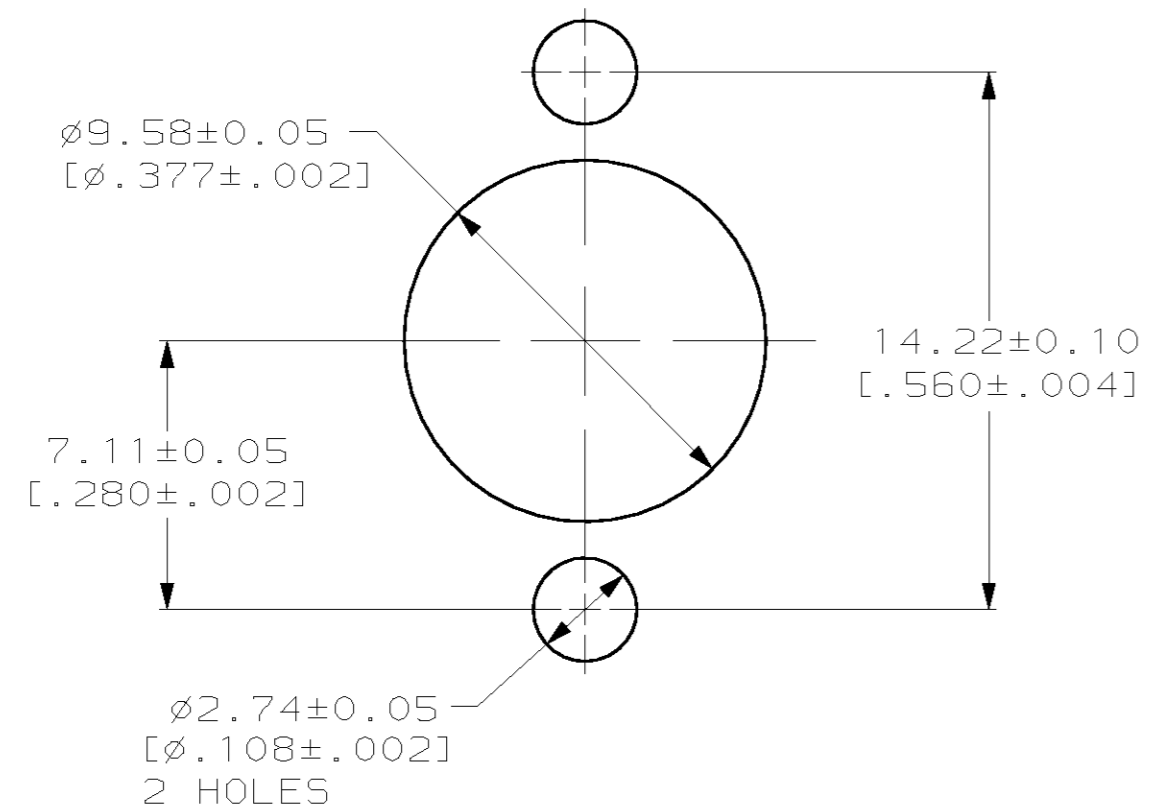


THIS DRAWING IS UNPUBLISHED. RELEASED FOR PUBLICATION
 BY AMP INCORPORATED, ALL RIGHTS RESERVED.

LOC	DIST	REVISIONS					
		P	LTR	DESCRIPTION	DATE	DWN	APVD
AJ	16	B		REV PER ECN 0514-0177-02	25OCT02	GV	JH



- 1 BERYLLIUM COPPER PER ASTM-B-196
- 2 PTFE PER ASTM-D-1710
- 3 STEEL WIRE PER QQ-W-470
- 4 BRASS PER ASTM-B-16
- 5 GOLD PL PER MIL-G-45204
- 6 NICKEL PL PER QQ-N-290
- 7 .190 MAX PANEL THICKNESS
- 8 .060 MAX FLOAT PERMITTED DUE TO INTERNAL SPRING
- 9 STAINLESS STEEL PER ASTM-A-582.
- 10 PASSIVATED PER QQ-P-35.
- 11 BOILLAT B05 PER UNS 53800



RECOMMENDED MOUNTING HOLES

9	10	448435-2
4	6	448435-1
SHELL MATERIAL/FINISH		PART NUMBER

THIS DRAWING IS A CONTROLLED DOCUMENT.		DWN M. O'BRINE 31MAY00	AMP Incorporated Harrisburg, PA 17105-3608	
DIMENSIONS: mm [INCHES]		CHK J. HAVENER 31MAY00	AMP ADAPTER, PLUG, FLOATING, 3.5mm BLIND MATE TO JACK, BNC	
TOLERANCES UNLESS OTHERWISE SPECIFIED:		APVD J. HAVENER 31MAY00		
0 PLC ±-		PRODUCT SPEC	SIZE	
1 PLC ±-		APPLICATION SPEC	CAGE CODE	
2 PLC ±-			DRAWING NO	
3 PLC ±0.20 [.008]			RESTRICTED TO	
4 PLC ±-			A2 00779 C- 448435	
ANGLES ±-			SCALE	
MATERIAL		WEIGHT	SHEET 1 OF 1	
FINISH		CUSTOMER DRAWING	REV B	

448435