



Chipsmall Limited consists of a professional team with an average of over 10 year of expertise in the distribution of electronic components. Based in Hongkong, we have already established firm and mutual-benefit business relationships with customers from,Europe,America and south Asia,supplying obsolete and hard-to-find components to meet their specific needs.

With the principle of "Quality Parts,Customers Priority,Honest Operation,and Considerate Service",our business mainly focus on the distribution of electronic components. Line cards we deal with include Microchip,ALPS,ROHM,Xilinx,Pulse,ON,Everlight and Freescale. Main products comprise IC,Modules,Potentiometer,IC Socket,Relay,Connector.Our parts cover such applications as commercial,industrial, and automotives areas.

We are looking forward to setting up business relationship with you and hope to provide you with the best service and solution. Let us make a better world for our industry!



## Contact us

Tel: +86-755-8981 8866 Fax: +86-755-8427 6832

Email & Skype: info@chipsmall.com Web: www.chipsmall.com

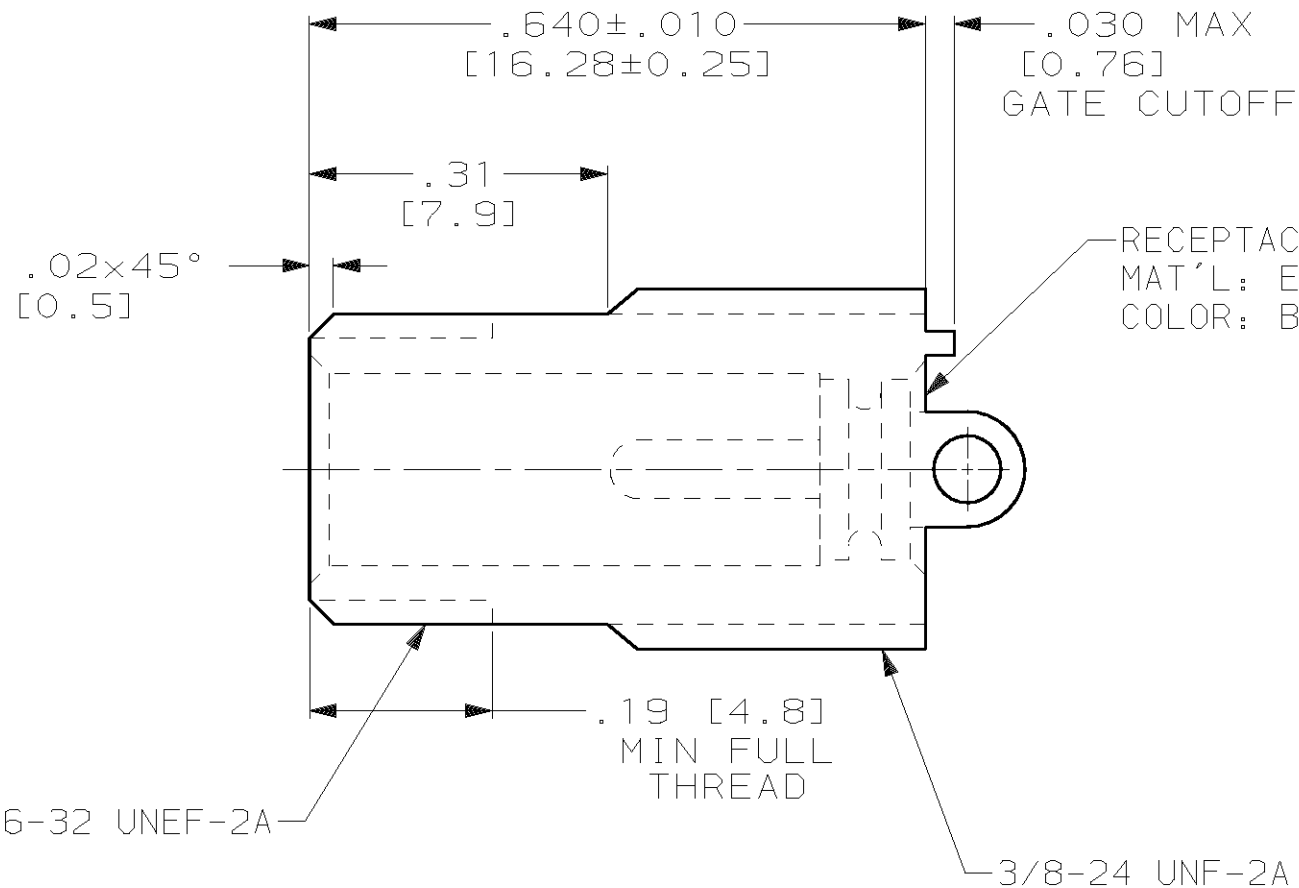
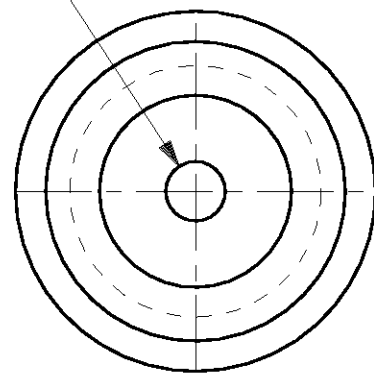
Address: A1208, Overseas Decoration Building, #122 Zhenhua RD., Futian, Shenzhen, China



THIS DRAWING IS UNPUBLISHED. RELEASED FOR PUBLICATION, 19 .  
 © COPYRIGHT 19 BY AMP INCORPORATED. ALL INTERNATIONAL RIGHTS RESERVED.

PROD 4087 CODE	LOC DF	DIST 50	P	F	REVISIONS				
					ZONE	LTR	DESCRIPTION	DATE	APPD
						0	RELEASED PER NPR 92-176 CT	7-92	SG
						A	REV PER 0600-7334-98 TT	070CT98	DE
			✓	✓		B	REV PER 0600-8083-98 JB	03-99	ML

.062 [1.57] DIA PIN  
 MAT'L: BRASS PER ASTM-B-16  
 FINISH: GOLD PLATED PER MIL-G-45204  
 OVER NICKEL PER QQ-N-290



1. RECEPTACLE WILL ACCEPT A LGH-1/2 LEAD WITH A .53 [13.5] MOLDED END LENGTH.

THIS DRAWING IS A CONTROLLED DOCUMENT FOR AMP INCORPORATED. IT IS SUBJECT TO CHANGE AND THE CONTROLLING ENGINEERING ORGANIZATION SHOULD BE CONTACTED FOR THE LATEST REVISION.

DO NOT SCALE PRINT. UNLESS SPECIFIED DIMENSIONS IN INCHES [mm]		DR 7-1-92 C.C.THOMAS	448462-1	
TOLERANCES ON: 2 PLC DEC ± .01 [0.3] 3 PLC DEC ± .005 [0.13] ANGLES ± -		CHK 7-8-92 S.GLATFELTER	PART NO	
MATERIAL SEE CALLOUTS		APPD 7-8-92 S.GLATFELTER	AMP Incorporated Harrisburg, PA 17105-3608	
FINISH SEE CALLOUTS		APPD 7-8-92 C.C.THOMAS	NAME RECEPTACLE, LGH-1/2, SPECIAL	
		PRODUCT SPEC -	SIZE B	CAGE CODE 00779
		APPLICATION SPEC -	DRAWING NO C-448462	
		WEIGHT -	SCALE 5:1	SHEET 1 OF 1