



Chipsmall Limited consists of a professional team with an average of over 10 year of expertise in the distribution of electronic components. Based in Hongkong, we have already established firm and mutual-benefit business relationships with customers from,Europe,America and south Asia,supplying obsolete and hard-to-find components to meet their specific needs.

With the principle of "Quality Parts,Customers Priority,Honest Operation,and Considerate Service",our business mainly focus on the distribution of electronic components. Line cards we deal with include Microchip,ALPS,ROHM,Xilinx,Pulse,ON,Everlight and Freescale. Main products comprise IC,Modules,Potentiometer,IC Socket,Relay,Connector.Our parts cover such applications as commercial,industrial, and automotives areas.

We are looking forward to setting up business relationship with you and hope to provide you with the best service and solution. Let us make a better world for our industry!



Contact us

Tel: +86-755-8981 8866 Fax: +86-755-8427 6832

Email & Skype: info@chipsmall.com Web: www.chipsmall.com

Address: A1208, Overseas Decoration Building, #122 Zhenhua RD., Futian, Shenzhen, China



THIS DRAWING IS UNPUBLISHED.

RELEASED FOR PUBLICATION

-,-

LOC

DIST

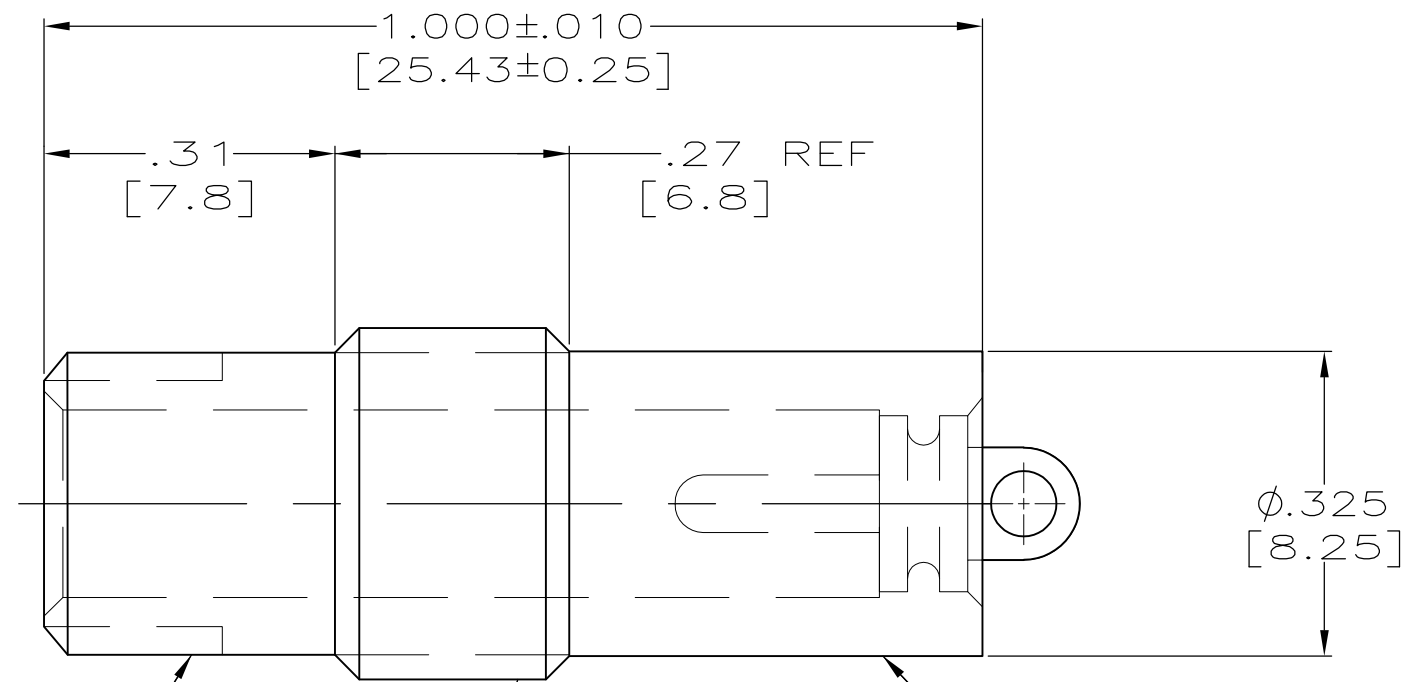
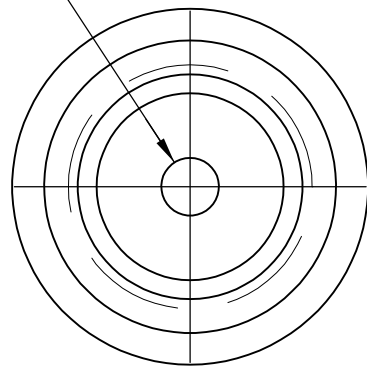
REVISIONS

© COPYRIGHT - By -

ALL RIGHTS RESERVED.

P	LTR	DESCRIPTION	DATE	DWN	APVD
C		REV PER ECO 11-019268	10-12-11	CT	DE

.062 [1.57] DIA PIN
 MAT'L: BRASS PER ASTM-B-16
 FINISH: GOLD PLATED PER MIL-G-45204
 OVER NICKEL PER QQ-N-290



5/16-32 UNEF-2A


3/8-24 UNF-2A

RECEPTACLE
 MAT'L: EPOXY MLDG. CMPD.
 COLOR: BLACK

448464-1

PART NUMBER

1. RECEPTACLE WILL ACCEPT A LGH-1/2L LEAD WITH A .89 [22.6] MOLDED END LENGTH.

THIS DRAWING IS A CONTROLLED DOCUMENT.		DWN C.C.THOMAS 7-1-92	 TE Connectivity														
DIMENSIONS: INCHES [mm]		CHK S.GLATFELTER 7-8-92															
TOLERANCES UNLESS OTHERWISE SPECIFIED:		APVD S.GLATFELTER 7-8-92	NAME RECEPTACLE, LGH-1/2L, SPECIAL														
<table border="0"> <tr><td>0 PLC</td><td>± -</td></tr> <tr><td>1 PLC</td><td>± -</td></tr> <tr><td>2 PLC</td><td>± .01 [0.3]</td></tr> <tr><td>3 PLC</td><td>± .005 [0.13]</td></tr> <tr><td>4 PLC</td><td>± -</td></tr> <tr><td>ANGLES</td><td>± -</td></tr> </table>		0 PLC	± -	1 PLC	± -	2 PLC	± .01 [0.3]	3 PLC	± .005 [0.13]	4 PLC	± -	ANGLES	± -	PRODUCT SPEC -	RESTRICTED TO -		
0 PLC	± -																
1 PLC	± -																
2 PLC	± .01 [0.3]																
3 PLC	± .005 [0.13]																
4 PLC	± -																
ANGLES	± -																
MATERIAL SEE CALLOUTS		FINISH SEE CALLOUTS	APPLICATION SPEC -	SIZE A3	CAGE CODE 00779	DRAWING NO C-448464	SCALE 5:1	SHEET 1 OF 1	REV C								
CUSTOMER DRAWING			WEIGHT - SCALE 5:1 SHEET 1 OF 1 REV C														