



Chipsmall Limited consists of a professional team with an average of over 10 year of expertise in the distribution of electronic components. Based in Hongkong, we have already established firm and mutual-benefit business relationships with customers from,Europe,America and south Asia,supplying obsolete and hard-to-find components to meet their specific needs.

With the principle of “Quality Parts,Customers Priority,Honest Operation,and Considerate Service”,our business mainly focus on the distribution of electronic components. Line cards we deal with include Microchip,ALPS,ROHM,Xilinx,Pulse,ON,Everlight and Freescale. Main products comprise IC,Modules,Potentiometer,IC Socket,Relay,Connector.Our parts cover such applications as commercial,industrial, and automotives areas.

We are looking forward to setting up business relationship with you and hope to provide you with the best service and solution. Let us make a better world for our industry!



## Contact us

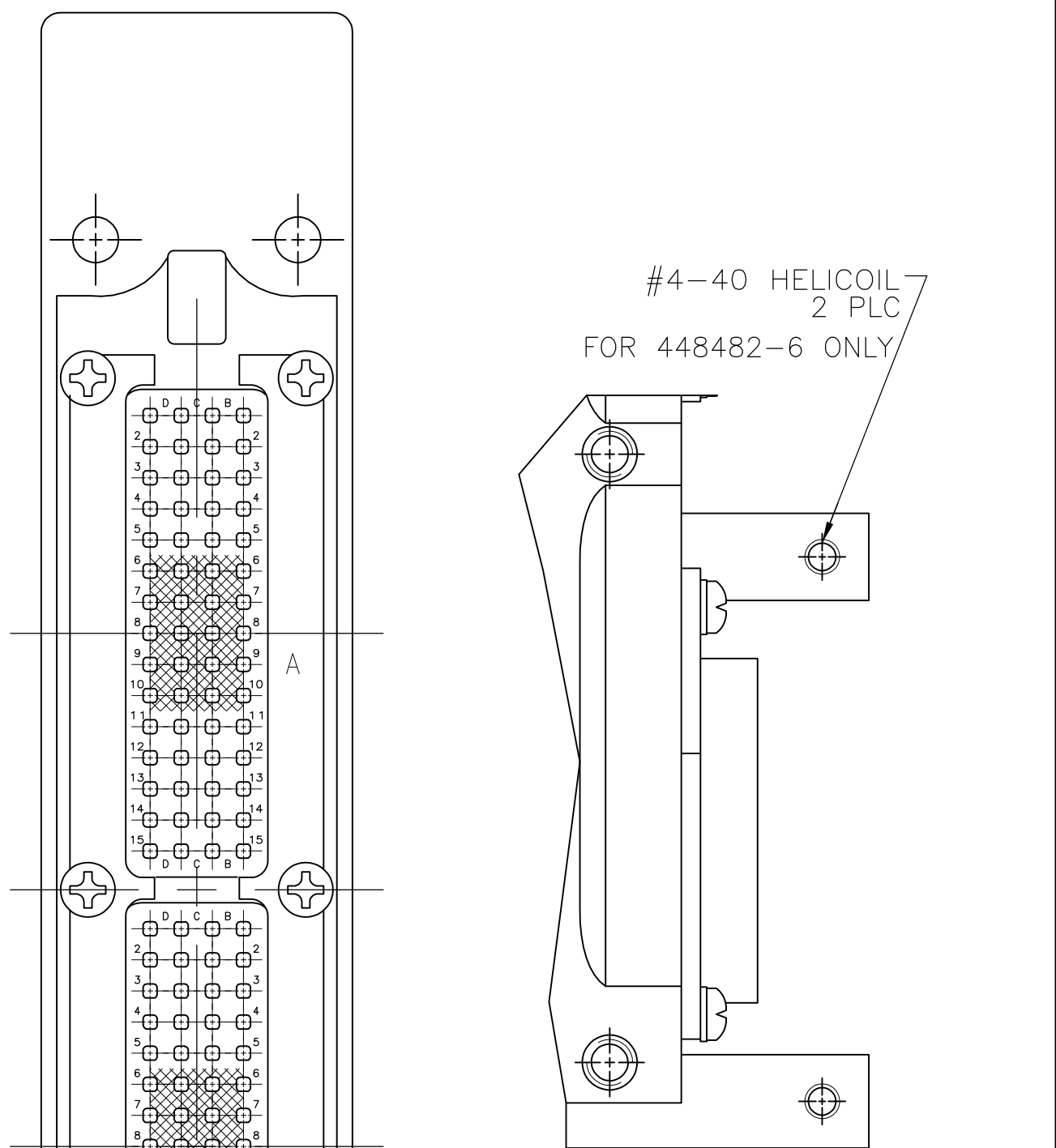
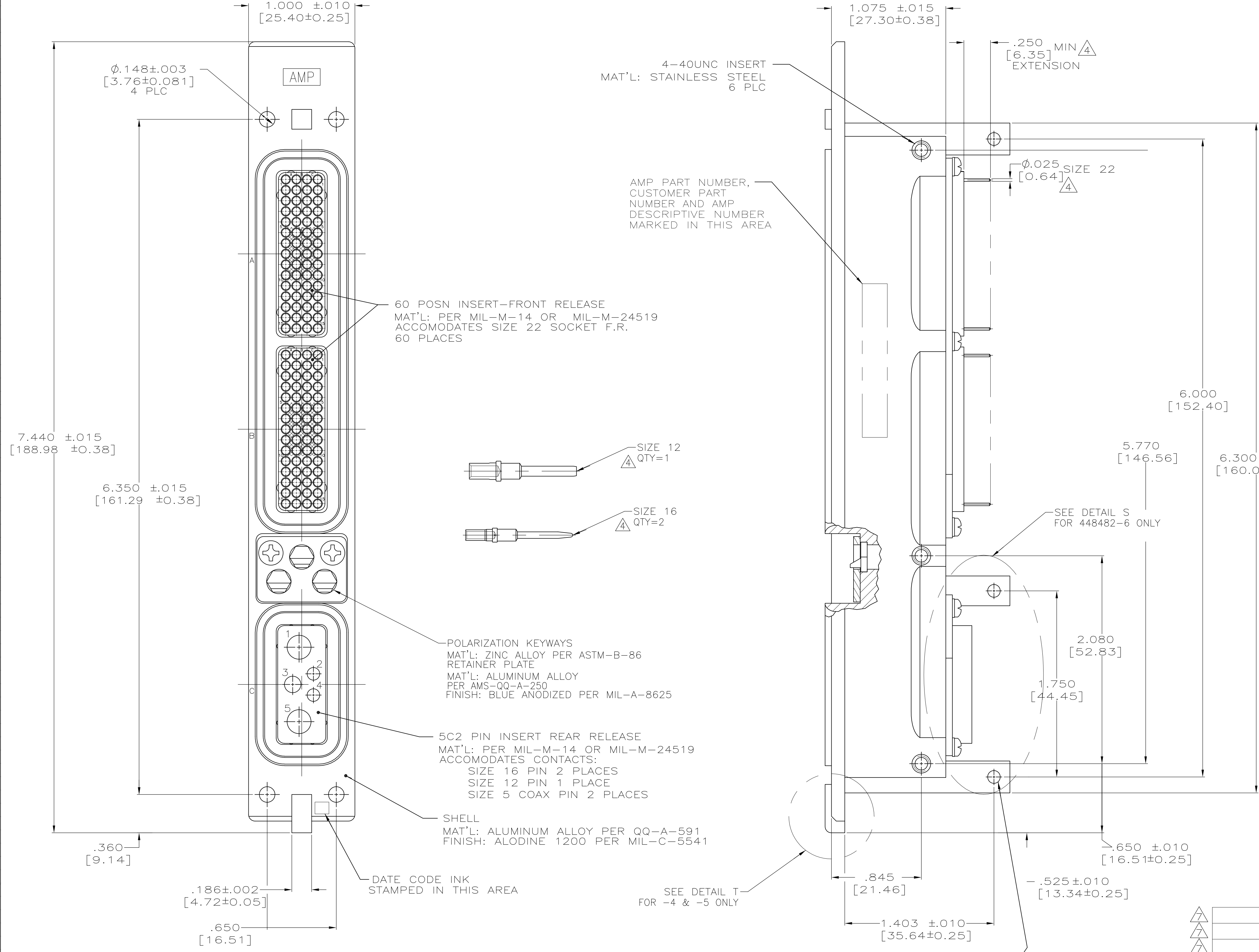
Tel: +86-755-8981 8866 Fax: +86-755-8427 6832

Email & Skype: info@chipsmall.com Web: www.chipsmall.com

Address: A1208, Overseas Decoration Building, #122 Zhenhua RD., Futian, Shenzhen, China



LOC	DIST	REV	DESCRIPTION	DATE	BY	APPV
DF	AO	H	REV PER ECO-11-012043	12JUL11	PY	WB



- CONTACTS MUST BE ORDERED SEPARATELY.
- PARTS MEET THE REQUIRMENTS OF THE ARINC 600 SPECIFICATION.
- DUST COVER SUPPLIED WITH PART NO. 448482-1.
- 448482-2 INCLUDES SIZE 22 SOCKET CONTACTS (INSTALLED) AND SIZE 12 AND SIZE 16 PIN CONTACTS (NOT INSTALLED).
- SPECIAL WITH INSERTS 60/OPEN/5C2, STANDARD MOUNTING, SIZE 22 CONTACTS (211431-4) LOADED IN 60 POSN. INSERT.
- KEYING SHOWN IN POSITION "01" FOR REFERENCE ONLY. SEE TABLE FOR KEYING POSITION.
- PRELIMINARY NOT RELEASED FOR PRODUCTION

DETAIL T  
FOR 448482-4 & -5 ONLY

POSITION KEYING	CUSTOMER PART NO.	DESCRIPTIVE NO.	PART NUMBER
02	-	-	448482-6
13	-	NIC66E11FA13SA1	448482-5
01	-	NIC66E11FA01GGO	448482-4
01	-	△	448482-3
01	-	NIC66E11FA01FFO	448482-2
01	BACC66E11FA01	NIC66E11FA01FA1	448482-1

THIS DRAWING IS A CONTROLLED DOCUMENT.		DIN C.C.THOMAS 10/27/99		STE TE Connectivity	
DIMENSIONS: INCHES		TOLERANCES UNLESS OTHERWISE SPECIFIED:		RCPT ASSY, SIZE 1, FRONT RELEASE, ARINC 600	
0 PLC	± .005	0.005	± .005	SIZE	A1
1 PLC	± .005	0.005	± .005	CAGE CODE	00779
2 PLC	± .005	0.005	± .005	DRAWING NO.	448482
3 PLC	± .005	0.005	± .005	RESTRICTED TO	-
4 PLC	± .005	0.005	± .005	WEIGHT	-
ANGLES	± .005	0.005	± .005	CUSTOMER DRAWING	-
MATERIAL	-	FINISH	-	SCALE	2:1
CUSTOMER DRAWING		SHEET 1 OF 1		REV H	