



Chipsmall Limited consists of a professional team with an average of over 10 year of expertise in the distribution of electronic components. Based in Hongkong, we have already established firm and mutual-benefit business relationships with customers from,Europe,America and south Asia,supplying obsolete and hard-to-find components to meet their specific needs.

With the principle of "Quality Parts,Customers Priority,Honest Operation,and Considerate Service",our business mainly focus on the distribution of electronic components. Line cards we deal with include Microchip,ALPS,ROHM,Xilinx,Pulse,ON,Everlight and Freescale. Main products comprise IC,Modules,Potentiometer,IC Socket,Relay,Connector.Our parts cover such applications as commercial,industrial, and automotives areas.

We are looking forward to setting up business relationship with you and hope to provide you with the best service and solution. Let us make a better world for our industry!



## Contact us

Tel: +86-755-8981 8866 Fax: +86-755-8427 6832

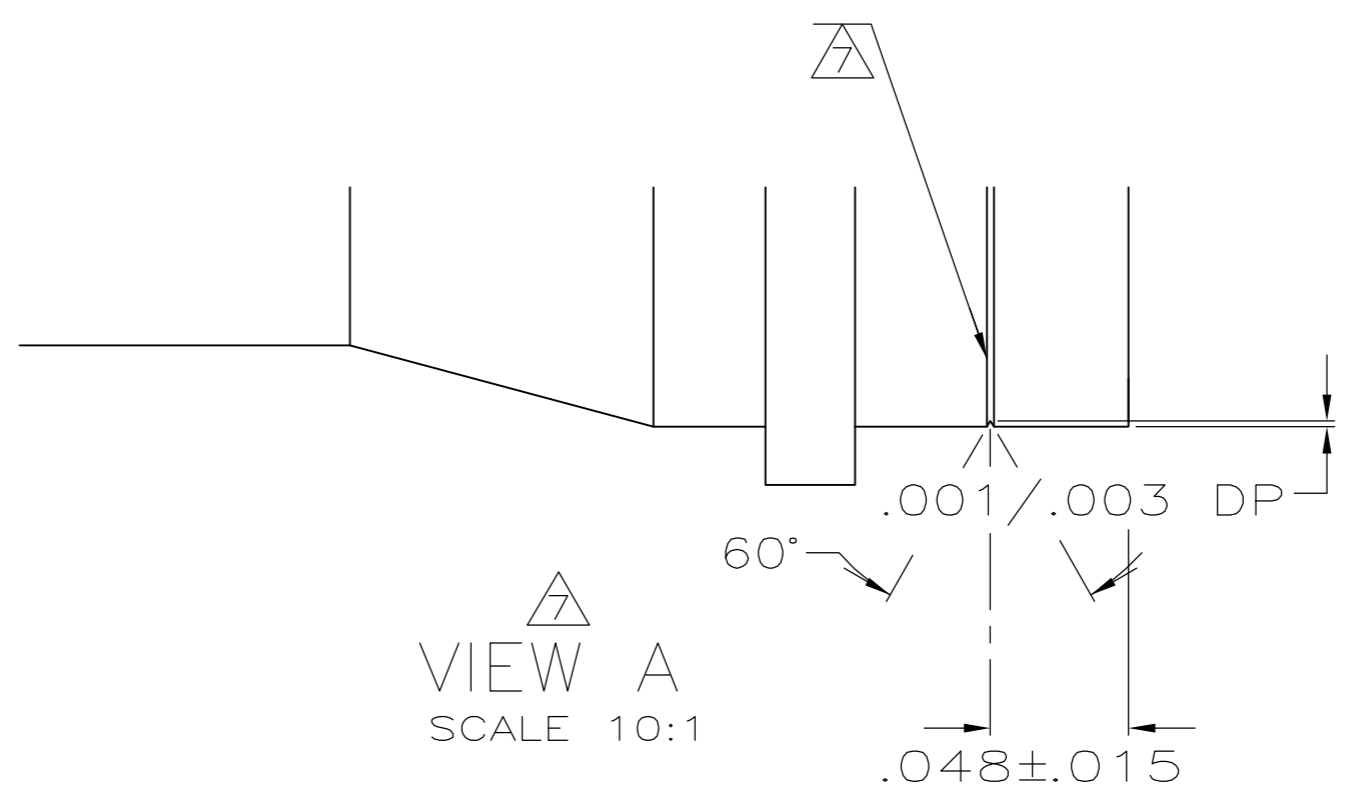
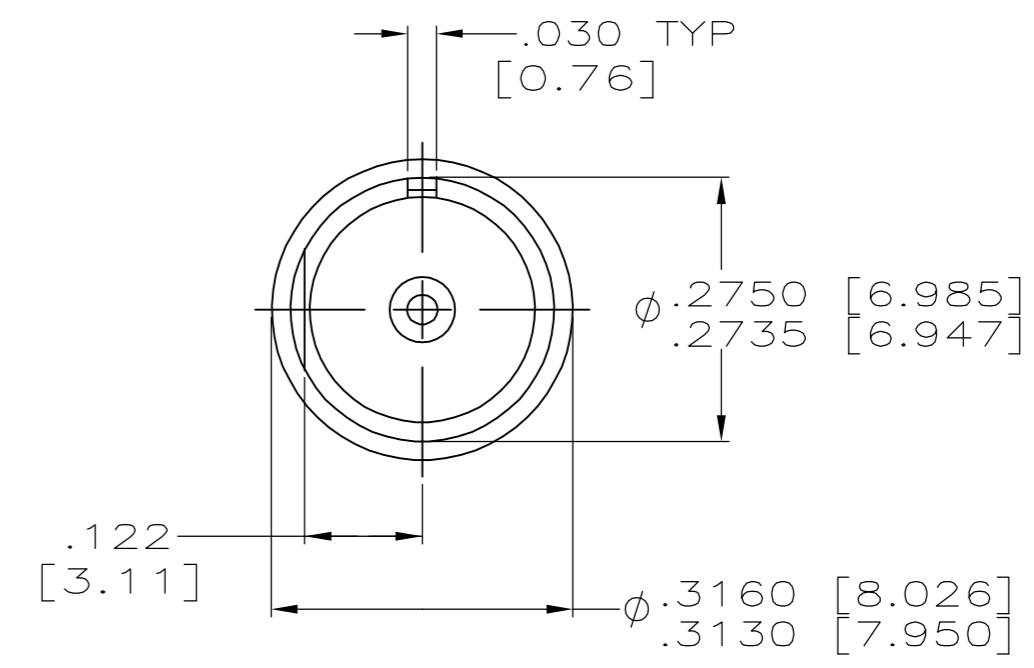
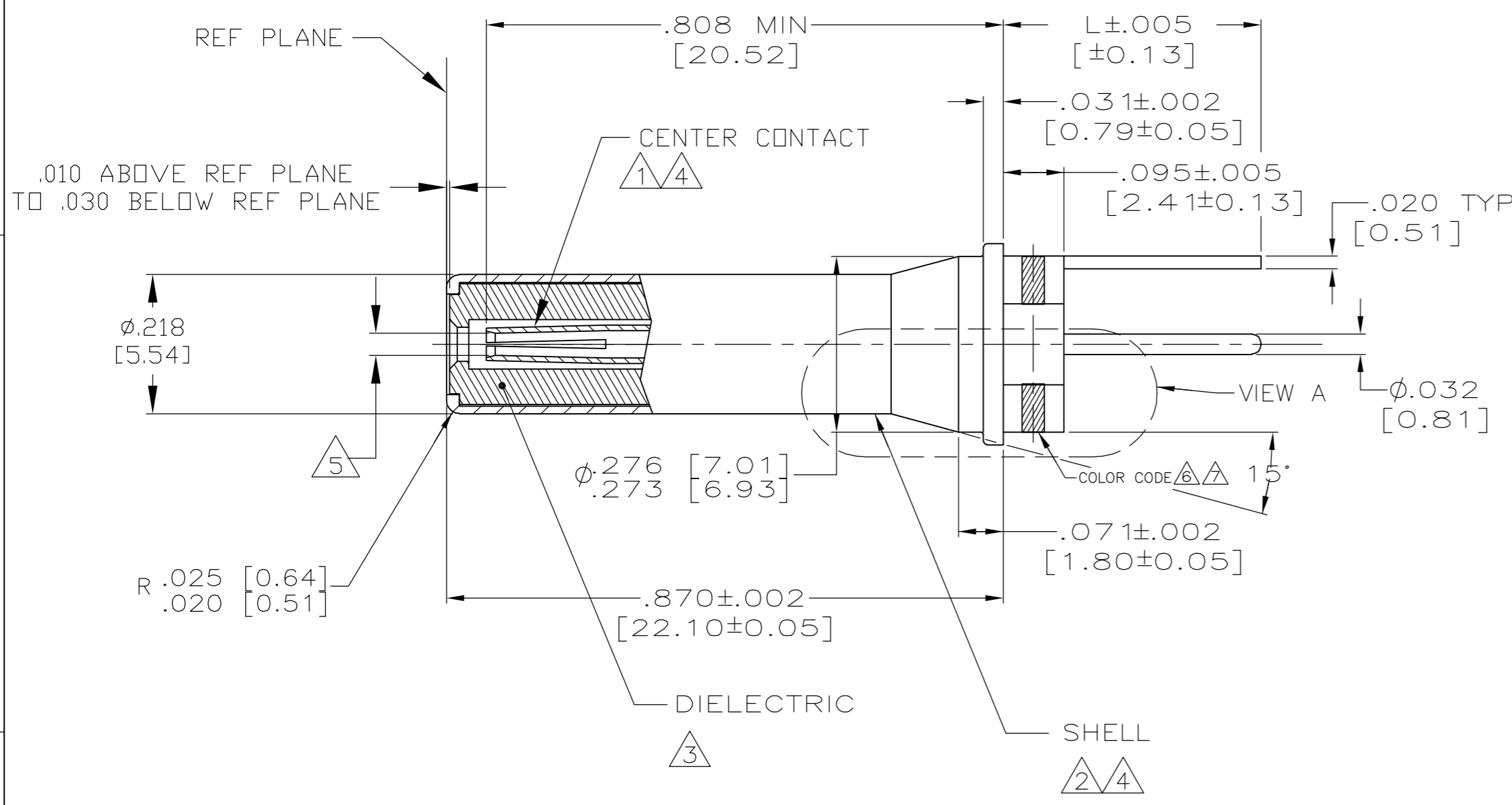
Email & Skype: info@chipsmall.com Web: www.chipsmall.com

Address: A1208, Overseas Decoration Building, #122 Zhenhua RD., Futian, Shenzhen, China



THIS DRAWING IS UNPUBLISHED. RELEASED FOR PUBLICATION  
 © COPYRIGHT BY TYCO ELECTRONICS CORPORATION. ALL RIGHTS RESERVED.

LOC	DIST	REVISIONS					
DF	A0	P	LTR	DESCRIPTION	DATE	DWN	APVD
		E		REV PER ECO 06-15224	8-2-06	CT	RG



- 1 BERYLLIUM COPPER PER ASTM-B-196
- 2 BRASS PER ASTM-B-16.
- 3 PTFE PER ASTM-D-1710.
- 4 GOLD PLATE PER MIL-G-45204, TYPE 1, GRADE C, CLASS 1 OVER NICKEL PLATE PER QQ-N-290, CLASS 2, .000050 [0.00127] THK.
- 5 SOCKET MATES WITH .040±.001 [0.76±0.03] PIN MIN SEPARATION FORCE: 1.5 OUNCES
- 6 COLOR CODE PER MIL-C-39029, .020-.050 [0.51-1.27] WIDTH
- 7 IF PART DOES NOT HAVE COLOR CODE GROVE WILL BE PRESENT

.300 [7.62]	448540-4
.525 [13.33]	448540-3
.402 [10.21]	448540-2
DIM L	PART NUMBER

THIS DRAWING IS A CONTROLLED DOCUMENT.		DWN	C.C.THOMAS	10-13-92	<b>AMP</b> Tyco Electronics Corporation Harrisburg, PA 17105-3608		
DIMENSIONS: INCHES		CHK	C.SHELLY	10-15-92			
TOLERANCES UNLESS OTHERWISE SPECIFIED:		APVD	C.SHELLY	10-15-92			
0 PLC ± - 1 PLC ± - 2 PLC ± - 3 PLC ± .001 [0.03] 4 PLC ± - ANGLES ± 2°		NAME		PIN, COAX PCB, SIZE 8, ARINC-TRIAx			
MATERIAL	FINISH	WEIGHT	SIZE		CAGE CODE	DRAWING NO	RESTRICTED TO
1 2 3	4	-	A2	00779	C=448540	-	-
CUSTOMER DRAWING				SCALE	5:1	SHEET	1 of 1
				REV	E		

448540

A