



Chipsmall Limited consists of a professional team with an average of over 10 year of expertise in the distribution of electronic components. Based in Hongkong, we have already established firm and mutual-benefit business relationships with customers from,Europe,America and south Asia,supplying obsolete and hard-to-find components to meet their specific needs.

With the principle of “Quality Parts,Customers Priority,Honest Operation,and Considerate Service”,our business mainly focus on the distribution of electronic components. Line cards we deal with include Microchip,ALPS,ROHM,Xilinx,Pulse,ON,Everlight and Freescale. Main products comprise IC,Modules,Potentiometer,IC Socket,Relay,Connector.Our parts cover such applications as commercial,industrial, and automotives areas.

We are looking forward to setting up business relationship with you and hope to provide you with the best service and solution. Let us make a better world for our industry!



Contact us

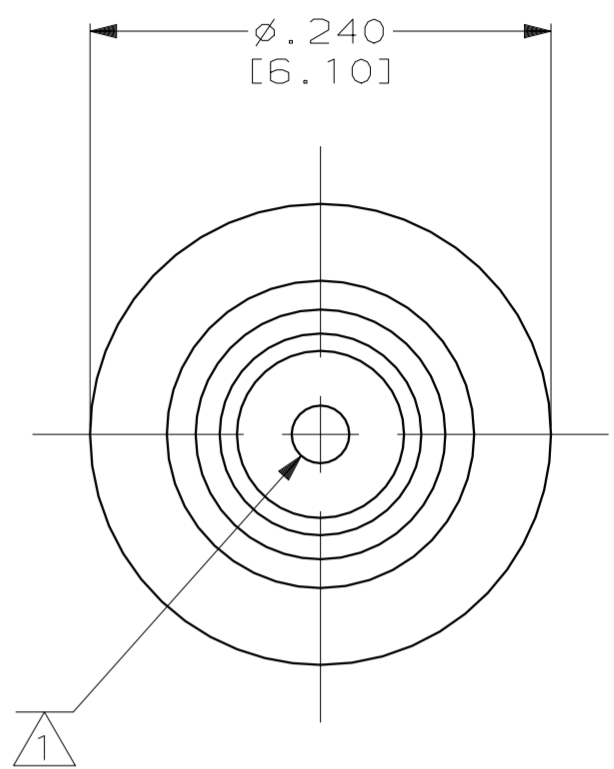
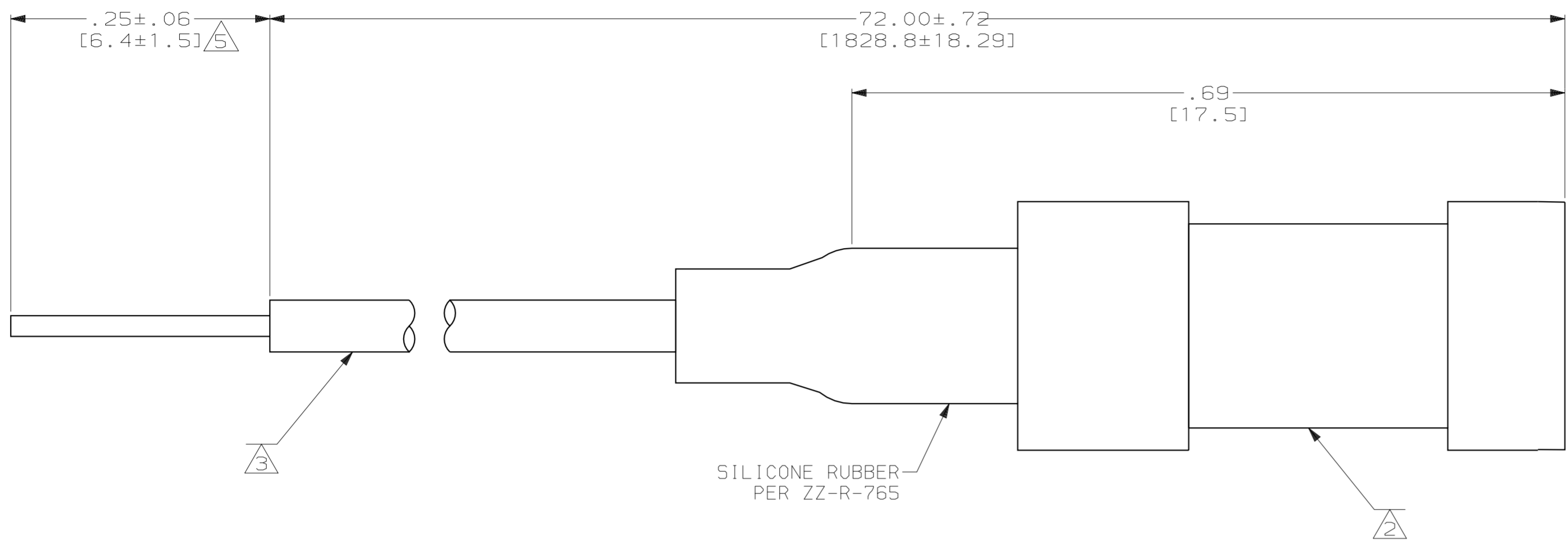
Tel: +86-755-8981 8866 Fax: +86-755-8427 6832

Email & Skype: info@chipsmall.com Web: www.chipsmall.com

Address: A1208, Overseas Decoration Building, #122 Zhenhua RD., Futian, Shenzhen, China



LOC	DIST	P	F	ZONE	LTR	DESCRIPTION	DATE	APPD
DF	50				E	REACTIVATE; OH14-0329-05 CT	7-21-05	DE



- ① SIZE 22 PIN CONTACT: .030 [0.76] DIA
MAT'L: BRASS PER QQ-B-626.
- ② RECEPTACLE HOUSING:
MAT'L: GLASS FILLED POLYETHERIMIDE RESIN.
- ③ CONDUCTOR:
24 (19/36) AWG SILVER PLATED COPPER
INSULATION: SILICONE COATED FEP; ϕ .060±.005 [1.52±0.13]
- 4. OPERATING VOLTAGE: 12 KVDC AT 70,000 FT. ALTITUDE.
TEST VOLTAGE: 18 KVDC AT 70,000 FT. ALTITUDE.
- ⑤ PIGTAIL IS SOLDER DIPPED.

THIS DRAWING IS A CONTROLLED DOCUMENT FOR AMP INCORPORATED. IT IS SUBJECT TO CHANGE AND THE CONTROLLING ENGINEERING ORGANIZATION SHOULD BE CONTACTED FOR THE LATEST REVISION.

DO NOT SCALE PRINT. UNLESS SPECIFIED DIMENSIONS IN INCHES [mm] TOLERANCES ON : 2 PLC DEC ± .01 [0.3] 3 PLC DEC ± .005 [0.13] ANGLES ± -	DR 8-17-98 C.C.THOMAS	AMP Incorporated Harrisburg, PA 17105-3608	
MATERIAL SEE CALLOUTS	CHK 8-17-98 D.EABY		
FINISH SEE CALLOUTS	APPD 8-17-98 D.EABY	SIZE C 00779	DRAWING NO C-448658
	APPD 8-17-98 C.C.THOMAS	SCALE 10:1	SHEET 1 OF 1
	PRODUCT SPEC -		
	APPLICATION SPEC -		
	WEIGHT -		

448658-1
PART NO.