



Chipsmall Limited consists of a professional team with an average of over 10 year of expertise in the distribution of electronic components. Based in Hongkong, we have already established firm and mutual-benefit business relationships with customers from,Europe,America and south Asia,supplying obsolete and hard-to-find components to meet their specific needs.

With the principle of "Quality Parts,Customers Priority,Honest Operation,and Considerate Service",our business mainly focus on the distribution of electronic components. Line cards we deal with include Microchip,ALPS,ROHM,Xilinx,Pulse,ON,Everlight and Freescale. Main products comprise IC,Modules,Potentiometer,IC Socket,Relay,Connector.Our parts cover such applications as commercial,industrial, and automotives areas.

We are looking forward to setting up business relationship with you and hope to provide you with the best service and solution. Let us make a better world for our industry!



Contact us

Tel: +86-755-8981 8866 Fax: +86-755-8427 6832

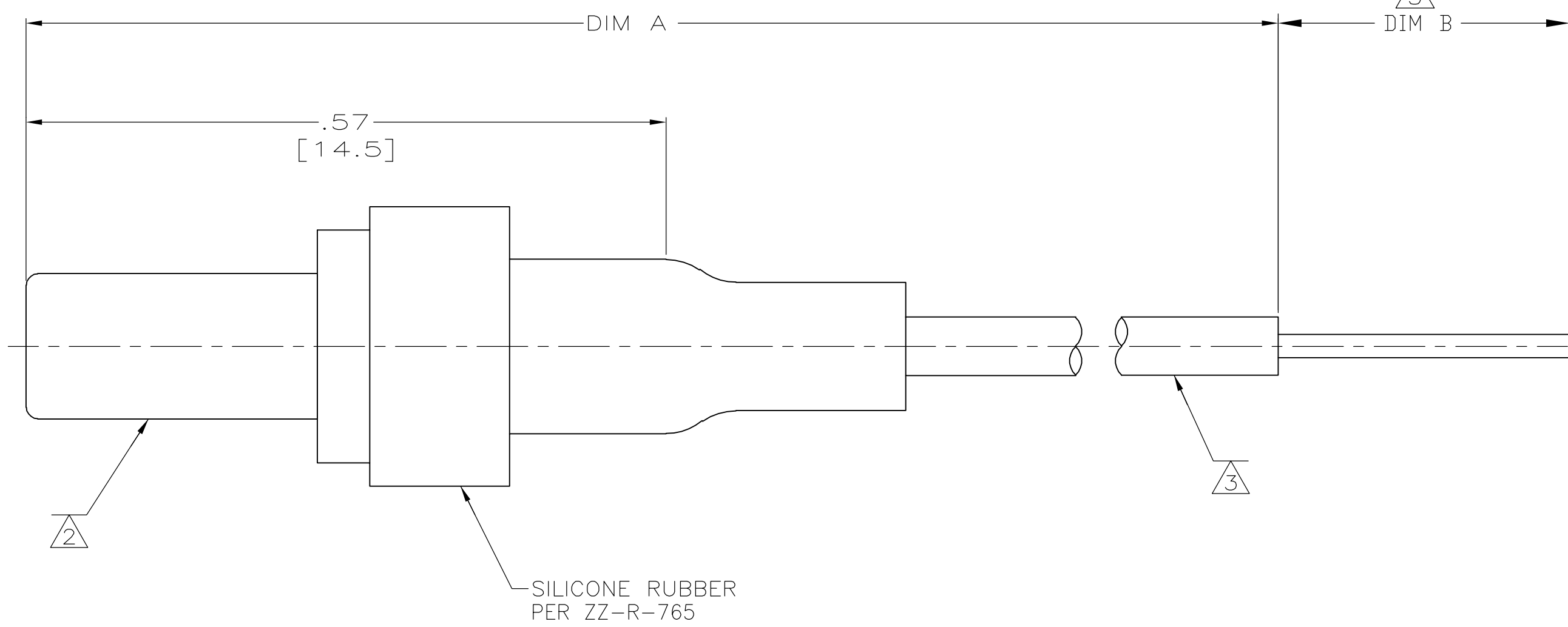
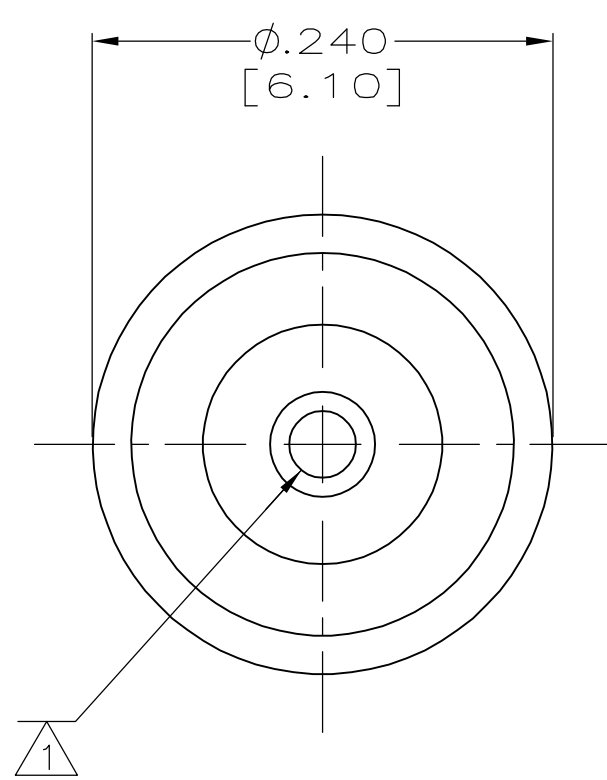
Email & Skype: info@chipsmall.com Web: www.chipsmall.com

Address: A1208, Overseas Decoration Building, #122 Zhenhua RD., Futian, Shenzhen, China



THIS DRAWING IS UNPUBLISHED. RELEASED FOR PUBLICATION
 © COPYRIGHT BY TYCO ELECTRONICS CORPORATION. ALL RIGHTS RESERVED.

LOC	DIST	REVISIONS					
DF	S0	P	LTR	DESCRIPTION	DATE	DWN	APVD
		F		REV PER ECO 06-025126	11-16-06	CT	DE



- △ SIZE 22 SOCKET CONTACT:
 MAT'L: COPPER ALLOY PER MIL-C-39029
 FINISH: GOLD PLATED .000050 [0.00127] MIN THK.
 PER ASTM-B-488 OVER NICKEL PER QQ-N-290.
- △ PLUG HOUSING:
 MAT'L: GLASS FILLED POLYETHERIMIDE RESIN.
- △ CONDUCTOR:
 24 (19/36) AWG SILVER PLATED COPPER
 INSULATION: SILICONE COATED FEP; $\phi 0.060 \pm 0.005$ [1.52 ± 0.13].
- 4. OPERATING VOLTAGE: 12 KVDC AT 70,000 FT. ALTITUDE.
 TEST VOLTAGE: 18 KVDC AT 70,000 FT. ALTITUDE.
- △ PIGTAIL IS SOLDER DIPPED ON -1 & -2 ONLY.

---	9.25 ± .25 [234.95 ± 6.35]	448660-3
.25 ± .06 [6.35 ± 1.52]	72.00 ± 1.00 [1828.8 ± 25.4]	448660-2
.25 ± .06 [6.35 ± 1.52]	7.00 ± .25 [177.8 ± 6.4]	448660-1
DIM B	DIM A	PART NUMBER

THIS DRAWING IS A CONTROLLED DOCUMENT.

DIMENSIONS: INCHES [mm]	TOLERANCES UNLESS OTHERWISE SPECIFIED: 0 PLC ± - 1 PLC ± - 2 PLC ± .01 [0.3] 3 PLC ± .005 [0.13] 4 PLC ± - ANGLES ± - FINISH SEE CALLOUTS	DWN C.C.THOMAS 8-17-98 CHK D.EABY 8-17-98 APVD D.EABY 8-17-98 PRODUCT SPEC APPLICATION SPEC WEIGHT - CUSTOMER DRAWING	NAME PLUG ASSY, MICRO-MINIATURE, 240 SERIES LGH	SIZE A2 CAGE CODE 00779 DRAWING NO C=448660 SCALE 10:1	RESTRICTED TO - SHEET 1 OF 1 REV F
----------------------------	--	---	---	---	--

AMP Tyco Electronics Corporation
 Harrisburg, PA 17105-3608