



Chipsmall Limited consists of a professional team with an average of over 10 year of expertise in the distribution of electronic components. Based in Hongkong, we have already established firm and mutual-benefit business relationships with customers from,Europe,America and south Asia,supplying obsolete and hard-to-find components to meet their specific needs.

With the principle of “Quality Parts,Customers Priority,Honest Operation,and Considerate Service”,our business mainly focus on the distribution of electronic components. Line cards we deal with include Microchip,ALPS,ROHM,Xilinx,Pulse,ON,Everlight and Freescale. Main products comprise IC,Modules,Potentiometer,IC Socket,Relay,Connector.Our parts cover such applications as commercial,industrial, and automotives areas.

We are looking forward to setting up business relationship with you and hope to provide you with the best service and solution. Let us make a better world for our industry!



## Contact us

Tel: +86-755-8981 8866 Fax: +86-755-8427 6832

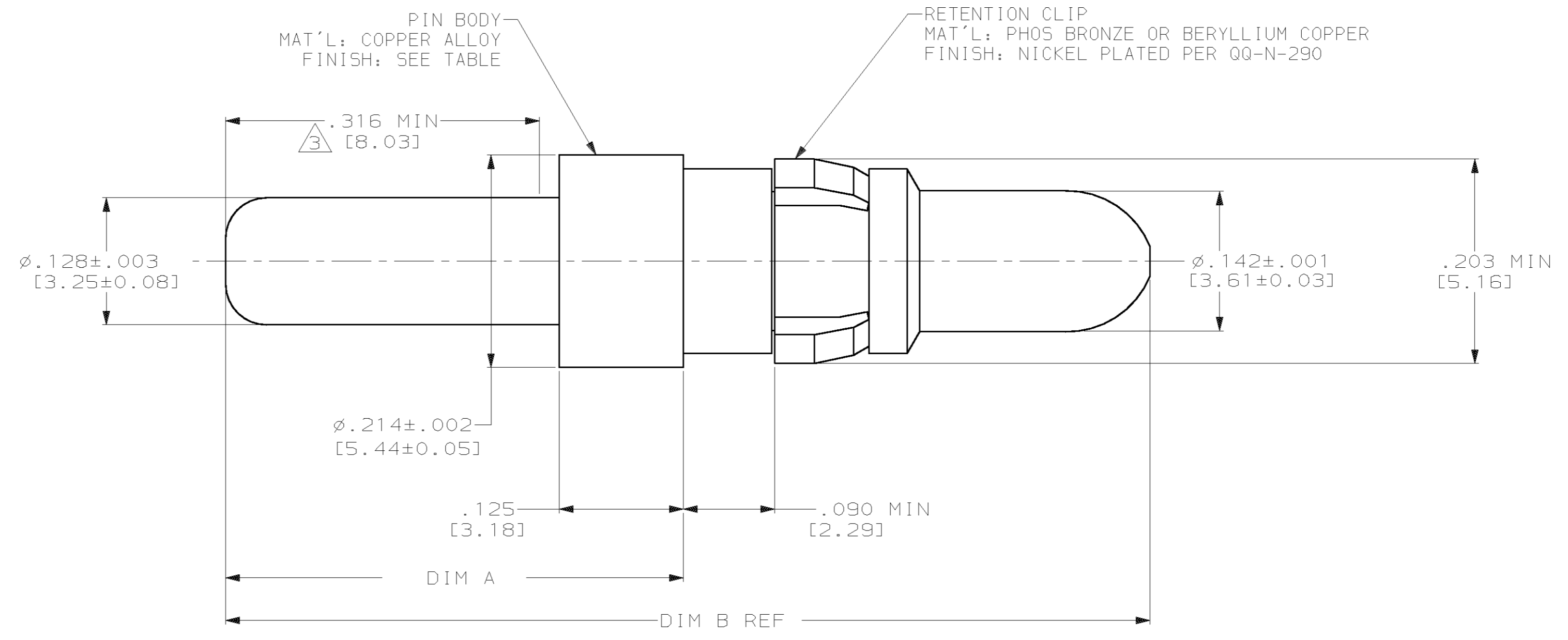
Email & Skype: info@chipsmall.com Web: www.chipsmall.com

Address: A1208, Overseas Decoration Building, #122 Zhenhua RD., Futian, Shenzhen, China



THIS DRAWING IS UNPUBLISHED. RELEASED FOR PUBLICATION .19  
 (C) COPYRIGHT 19 BY AMP INCORPORATED. ALL RIGHTS RESERVED.

LOC	DIST	REVISIONS					
DF	DO	P	LTR	DESCRIPTION	DATE	DWN	APVD
		C		REV PER 063D-0012-01	7-03	CT	DM



PRELIMINARY NOT RELEASED FOR PRODUCTION	2	.845 [21.46]	.375 [9.53]	1-449379-1
PRELIMINARY NOT RELEASED FOR PRODUCTION	2	.931 [23.65]	.461 [11.71]	1-449379-0
	1	.845 [21.46]	.375 [9.53]	449379-2
	1	.931 [23.65]	.461 [11.71]	449379-1
	FINISH	DIM B	DIM A	PART NUMBER

- 1 FINISH: PLATED GOLD .000050 [0.00127] MIN THK PER MIL-G-45204 OVER NICKEL .000050 [0.00127] MIN THK PER QQ-N-290.
- 2 FINISH: PLATED GOLD .000030 [0.00076] MIN THK PER MIL-G-45204 OVER NICKEL .000050 [0.00127] MIN THK PER QQ-N-290.
- 3 THIS AREA SHALL SATISFY THE REQUIREMENTS OF MIL-STD-202, METHOD 208.
- 4 THIS CONTACT CAN BE USED IN ANY AMPLIMITE PLUG CONNECTOR WITH SIZE 8 CONTACT CAVITIES.

THIS DRAWING IS A CONTROLLED DOCUMENT.

DIMENSIONS: INCHES [mm]	TOLENCES UNLESS OTHERWISE SPECIFIED: 0 PLC ±- 1 PLC ±- 2 PLC ±- 3 PLC ±.005 [0.13] 4 PLC ±- ANGLES ±-	DWN C.C. THOMAS 11/10/00 CHK D. MILLER 11/10/00 APVD D. MILLER 11/10/00	AMP Incorporated Harrisburg, PA 17105-3608
MATERIAL SEE CALLOUTS	FINISH SEE TABLE	NAME ASSEMBLY, PIN CONTACT SIZE 8, STRAIGHT POST, PCB	RESTRICTED TO
		SIZE A2	CAGE CODE 00779
		DRAWING NO 449379	SCALE 10:1
		CUSTOMER DRAWING	SHEET 1 OF 1