



Chipsmall Limited consists of a professional team with an average of over 10 year of expertise in the distribution of electronic components. Based in Hongkong, we have already established firm and mutual-benefit business relationships with customers from,Europe,America and south Asia,supplying obsolete and hard-to-find components to meet their specific needs.

With the principle of “Quality Parts,Customers Priority,Honest Operation,and Considerate Service”,our business mainly focus on the distribution of electronic components. Line cards we deal with include Microchip,ALPS,ROHM,Xilinx,Pulse,ON,Everlight and Freescale. Main products comprise IC,Modules,Potentiometer,IC Socket,Relay,Connector.Our parts cover such applications as commercial,industrial, and automotives areas.

We are looking forward to setting up business relationship with you and hope to provide you with the best service and solution. Let us make a better world for our industry!



Contact us

Tel: +86-755-8981 8866 Fax: +86-755-8427 6832

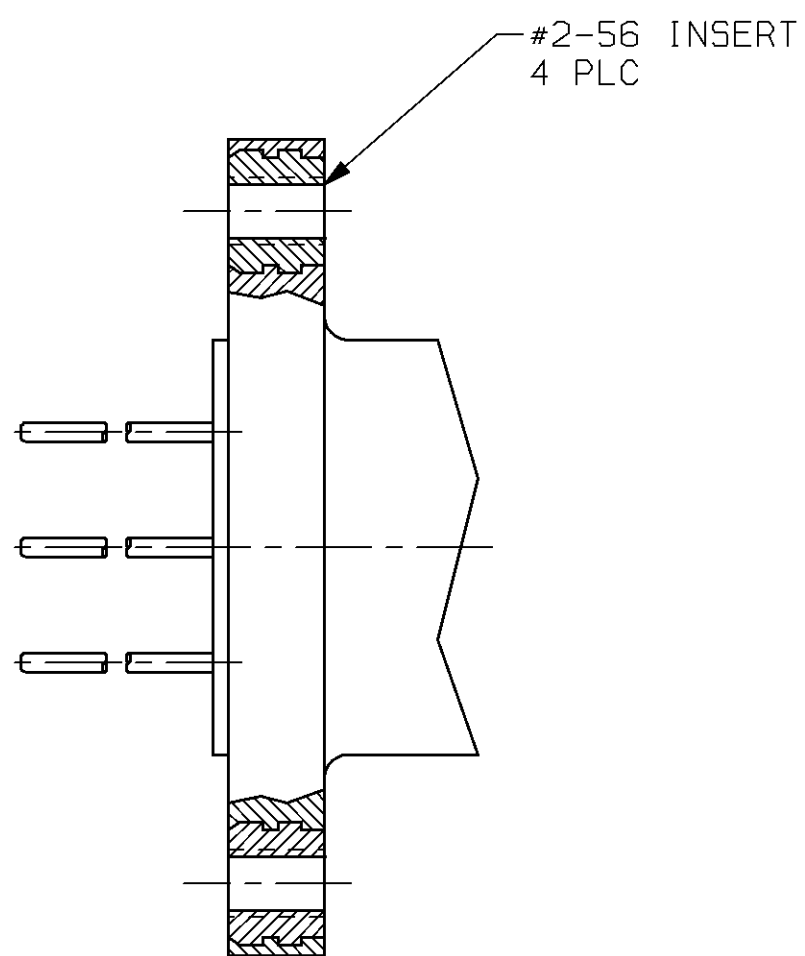
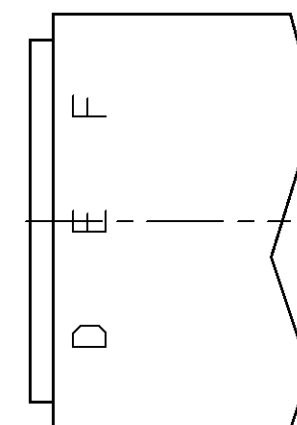
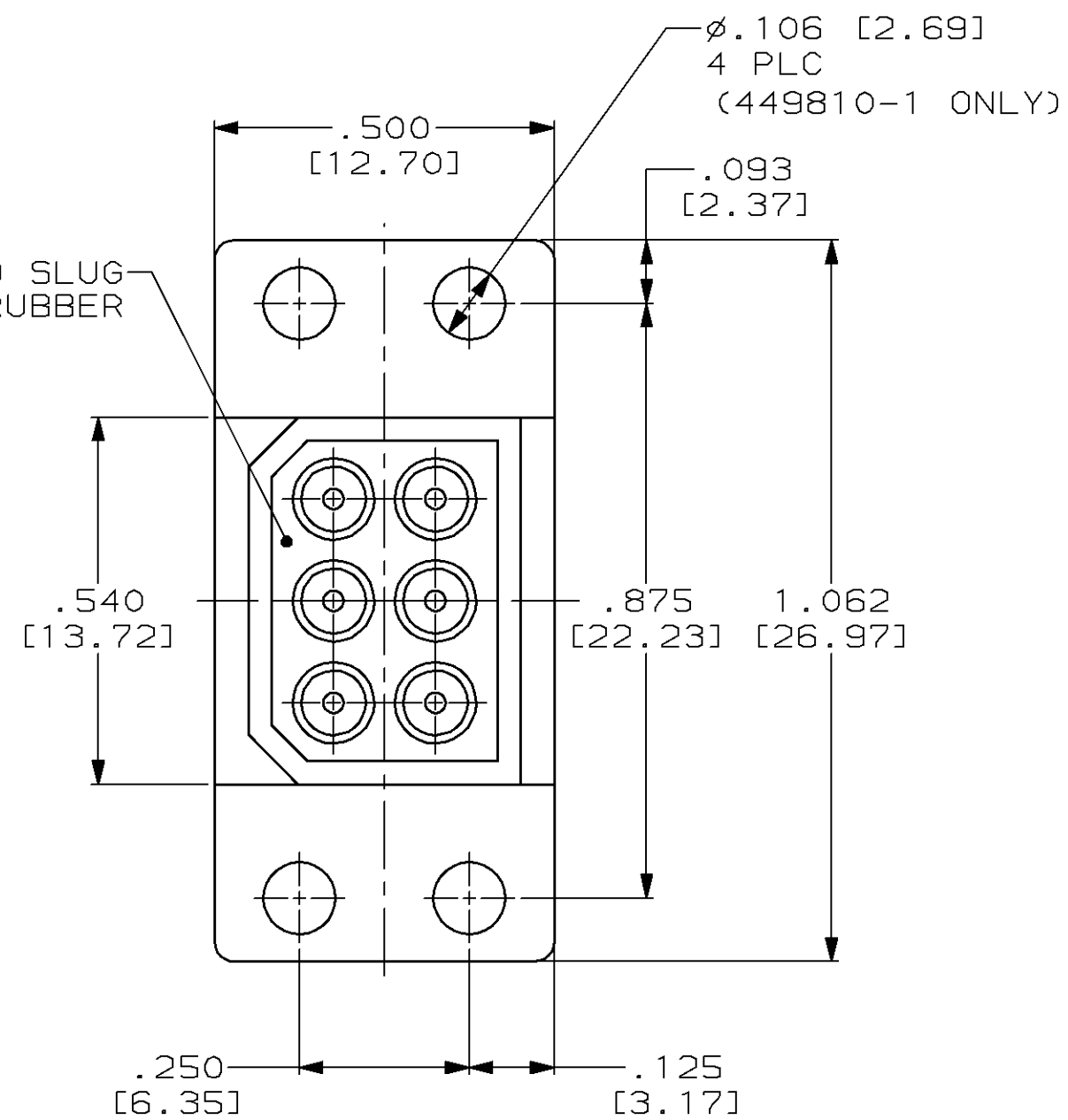
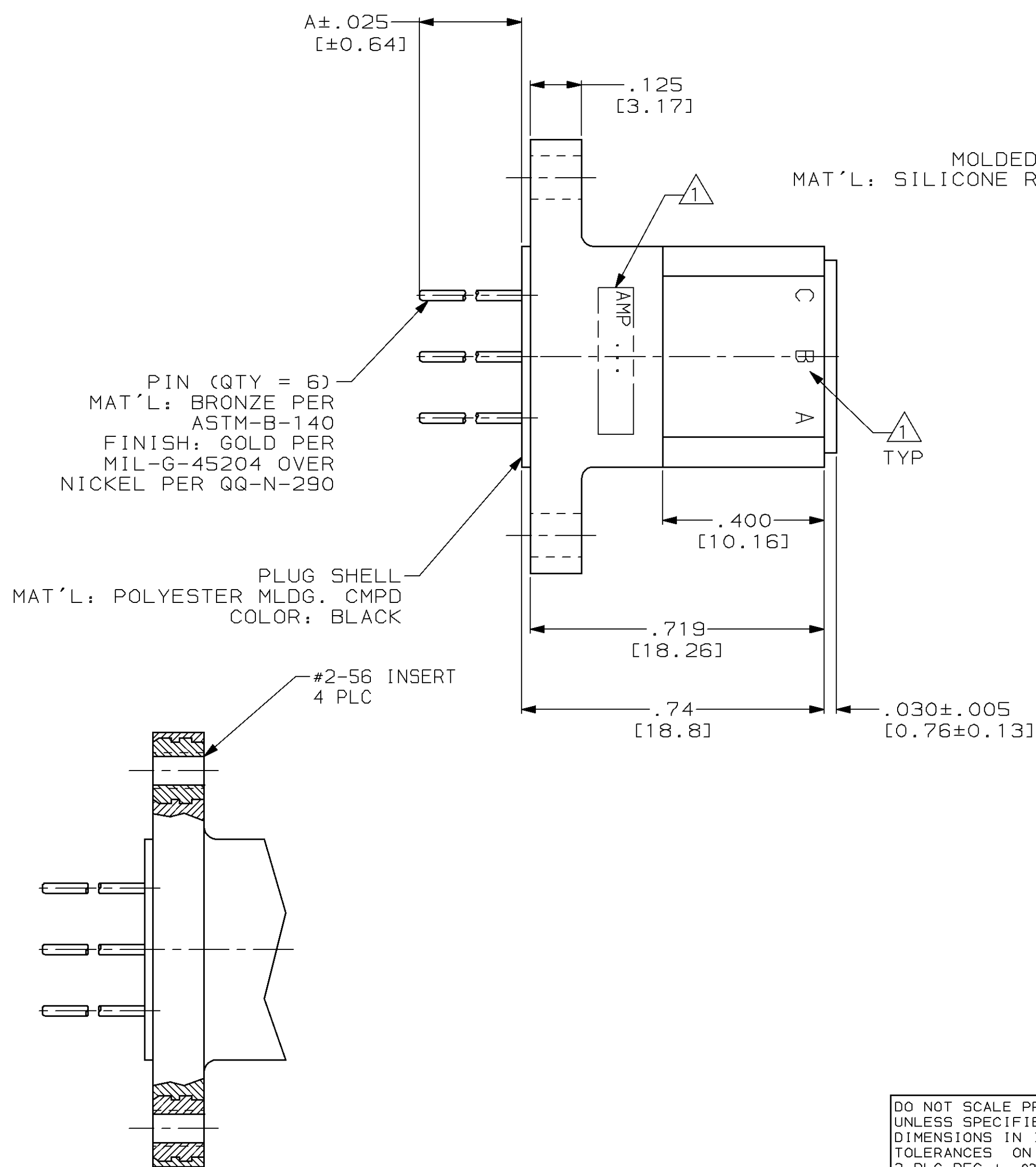
Email & Skype: info@chipsmall.com Web: www.chipsmall.com

Address: A1208, Overseas Decoration Building, #122 Zhenhua RD., Futian, Shenzhen, China



PROD CODE	LOC	DIST	P	F	ZONE	LTR	REVISIONS	DATE	APPD
4081	DF	SO					DESCRIPTION		
							ADD -3 PER 0600-7473-98	CT 5-98	DE

1 CAVITY I.D. & AMP INFO. MARKED PER MIL-STD-130.



.750 [19.05]	449810-3
.245 [6.22]	449810-2
.245 [6.22]	449810-1
DIM A	PART NUMBER

DO NOT SCALE PRINT. UNLESS SPECIFIED DIMENSIONS IN INCHES [mm] TOLERANCES ON : 2 PLC DEC ± .03 [0.81] 3 PLC DEC ± .010 [0.25] ANGLES ± -	DR 10-5-93 C.C. THOMAS	AMP Incorporated Harrisburg, PA 17105-3608		
	CHK 10-6-93 D.EABY			
MATERIAL SEE CALLOUTS	APPD 10-6-93 D.EABY	NAME PLUG ASSY WITH Ø.025 POSTS, LGH		
	APPD 10-6-93 C. THOMAS	PRODUCT SPEC -		
FINISH SEE CALLOUTS	APPLICATION SPEC -	SIZE C	CAGE CODE 00779	DRAWING NO 449810
	WEIGHT -	SCALE 4:1	SHEET 1 OF 1	