



Chipsmall Limited consists of a professional team with an average of over 10 year of expertise in the distribution of electronic components. Based in Hongkong, we have already established firm and mutual-benefit business relationships with customers from,Europe,America and south Asia,supplying obsolete and hard-to-find components to meet their specific needs.

With the principle of “Quality Parts,Customers Priority,Honest Operation,and Considerate Service”,our business mainly focus on the distribution of electronic components. Line cards we deal with include Microchip,ALPS,ROHM,Xilinx,Pulse,ON,Everlight and Freescale. Main products comprise IC,Modules,Potentiometer,IC Socket,Relay,Connector.Our parts cover such applications as commercial,industrial, and automotives areas.

We are looking forward to setting up business relationship with you and hope to provide you with the best service and solution. Let us make a better world for our industry!



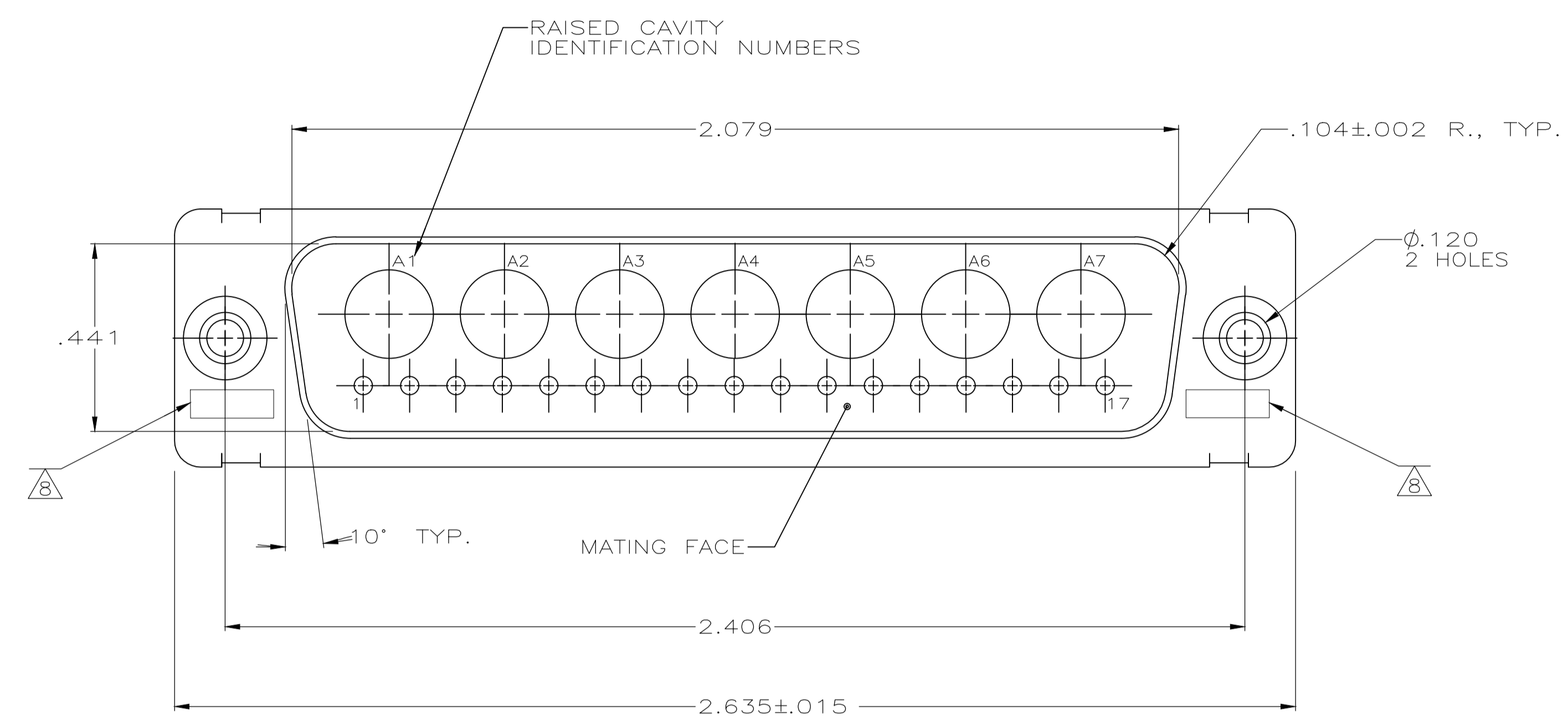
Contact us

Tel: +86-755-8981 8866 Fax: +86-755-8427 6832

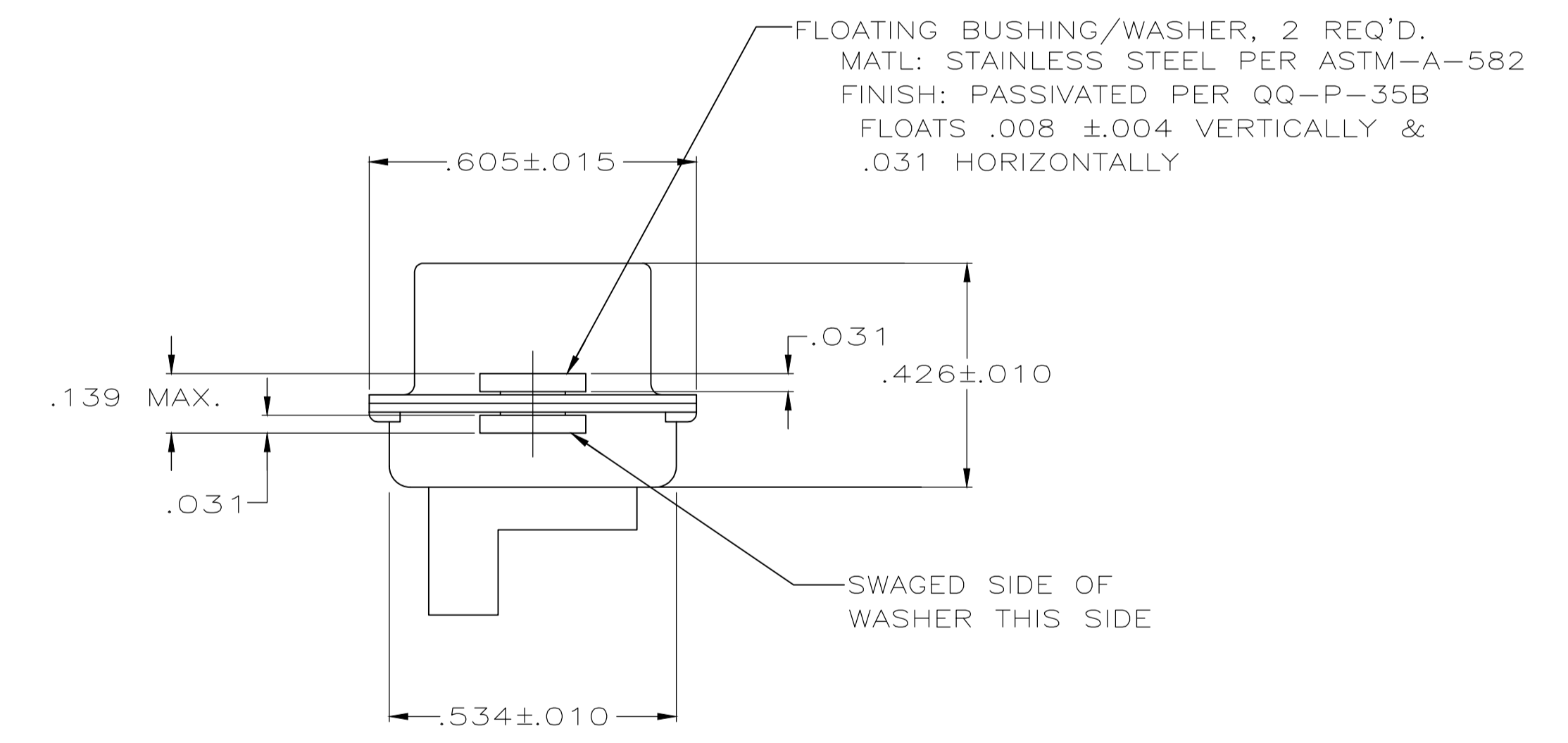
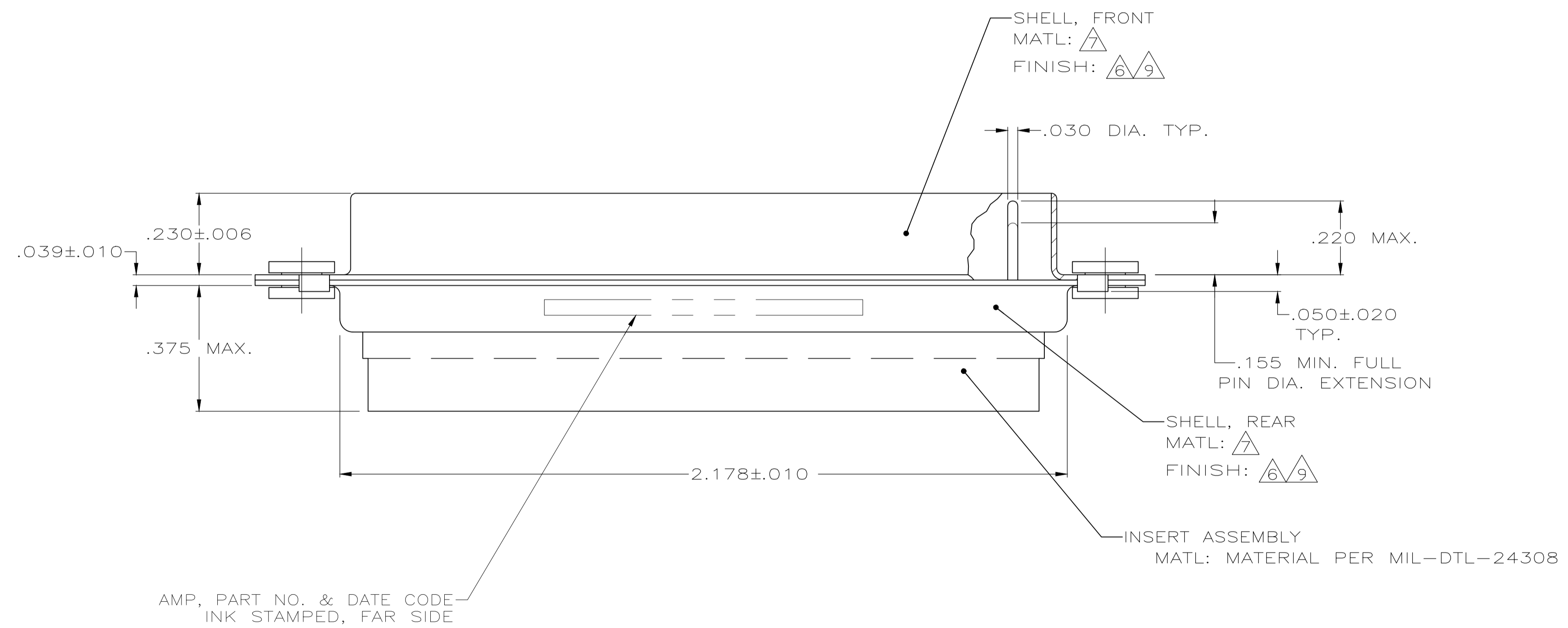
Email & Skype: info@chipsmall.com Web: www.chipsmall.com

Address: A1208, Overseas Decoration Building, #122 Zhenhua RD., Futian, Shenzhen, China





1. THIS PLUG WILL MATE WITH ANY 24C7, SIZE 5 RECEPTACLE IN AMPLIMITE SERIES.
 2. MAXIMUM WIRE INSULATION TO BE USED WITH THIS PLUG IS .068 DIA.
 3. THIS CONNECTOR ACCEPTS 7 POWER 8 COAX SOCKET CONTACTS IN POSITIONS A1 THRU A7, PURCHASED SEPARATELY.
 4. THIS CONNECTOR ACCEPTS SIZE 20 PIN SIGNAL CONTACTS IN POSITIONS 1 THRU 17.
 5. INSERTION/EXTRACTION TOOL USED FOR SIZE 20 PIN SIGNAL CONTACTS IS 91067-2.
- 6 FINISH: CADMIUM PLATED PER QQ-P-416
 7 STEEL PER ASTM-A-109.
 8 UL/CSA DESIGNATION STAMPED IN THIS AREA.
 9 FINISH: ZINC PLATE PER ASTM-B-633 .000200-.000400 THK WITH SUPPLEMENTARY CHROMATE (Cr3+).



7/9	5-449919-1
7/6	449919-1
REMARKS	PART NO

THIS DRAWING IS A CONTROLLED DOCUMENT.

DIMENSIONS: INCHES	TOLERANCES UNLESS OTHERWISE SPECIFIED:	DIN	27-May-15
0 PLC ± -	1 PLC ± -	MANJUNATH G.M.	27-May-15
2 PLC ± -	3 PLC ± .005	CHARLES THOMAS	27-May-15
4 PLC ± -	ANGLES ± -	CHARLES THOMAS	27-May-15
MATERIAL	FINISH	APVD	NAME
-	-	CHARLES THOMAS	CHARLES THOMAS
APPLICATION SPEC		SIZE	CAGE CODE
-		A1	00779
CUSTOMER DRAWING		DRAWING NO	449919
SCALE		SHEET	REV
4:1		1 OF 1	B

STE TE Connectivity
 PLUG ASSEMBLY, AMPLIMITE, 24C7, SIZE 5, SERIES 109, W/ FLOAT BUSHINGS