



Chipsmall Limited consists of a professional team with an average of over 10 year of expertise in the distribution of electronic components. Based in Hongkong, we have already established firm and mutual-benefit business relationships with customers from,Europe,America and south Asia,supplying obsolete and hard-to-find components to meet their specific needs.

With the principle of “Quality Parts,Customers Priority,Honest Operation,and Considerate Service”,our business mainly focus on the distribution of electronic components. Line cards we deal with include Microchip,ALPS,ROHM,Xilinx,Pulse,ON,Everlight and Freescale. Main products comprise IC,Modules,Potentiometer,IC Socket,Relay,Connector.Our parts cover such applications as commercial,industrial, and automotives areas.

We are looking forward to setting up business relationship with you and hope to provide you with the best service and solution. Let us make a better world for our industry!



## Contact us

Tel: +86-755-8981 8866 Fax: +86-755-8427 6832

Email & Skype: info@chipsmall.com Web: www.chipsmall.com

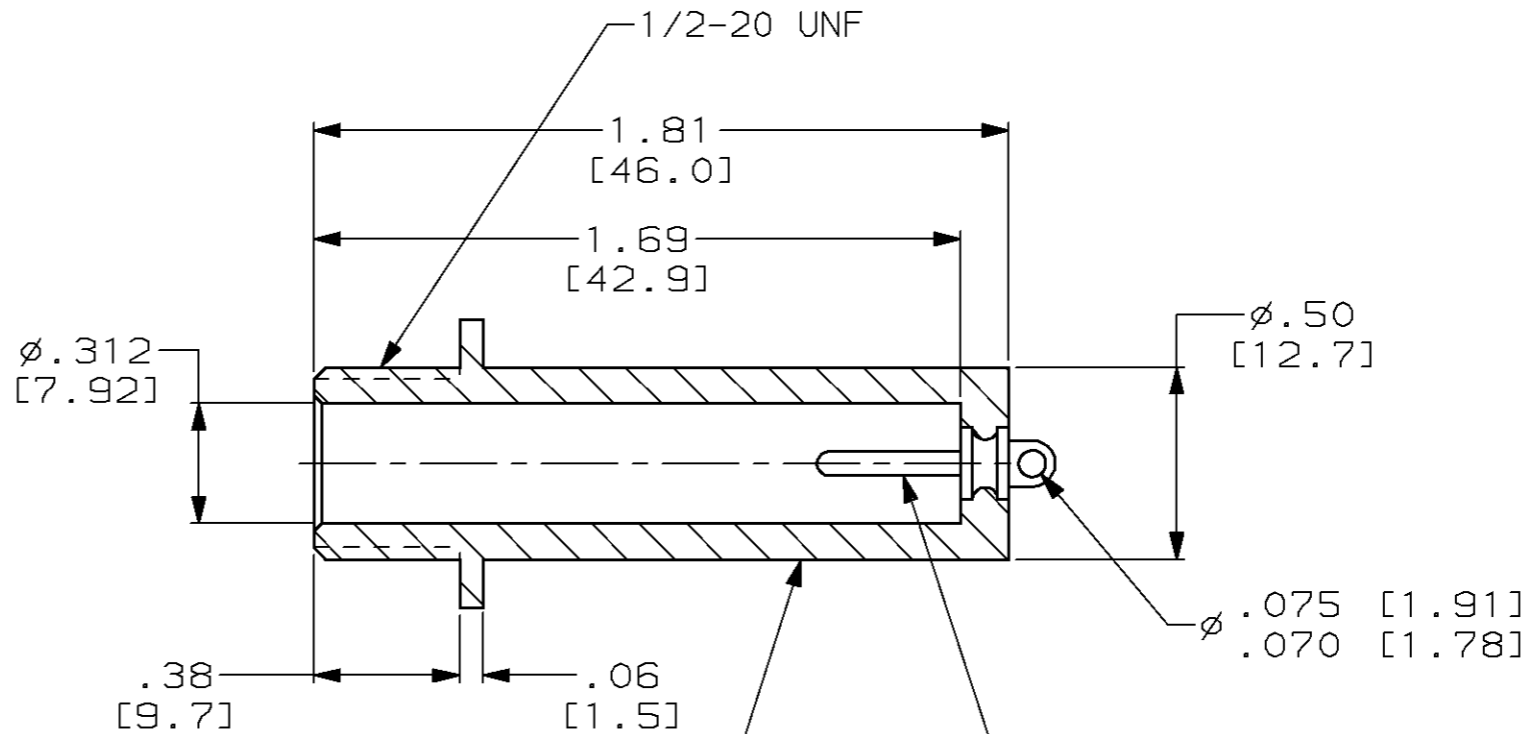
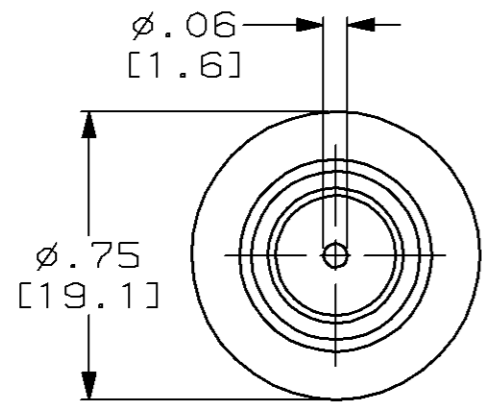
Address: A1208, Overseas Decoration Building, #122 Zhenhua RD., Futian, Shenzhen, China



THIS DRAWING IS UNPUBLISHED. RELEASED FOR PUBLICATION, 19 .  
 © COPYRIGHT 19 BY AMP INCORPORATED. ALL INTERNATIONAL RIGHTS RESERVED.

PROD 4087  
 LOC DF  
 DIST 50  
 P F

		REVISIONS			
ZONE	LTR	DESCRIPTION	DATE	APPD	
	0	RELEASED PER 0600-2403-94 CT	7-94	DW	
	A	REV PER 0600-6570-97 JB	03-98	SG	



RCPT HOUSING  
 MAT'L: EPOXY MLDG. CMPD.  
 COLOR: RED

TERMINAL  
 MAT'L: BRASS PER ASTM-B-16  
 FINISH:  $\triangle 3$

- RECEPTACLE TO MATE WITH ANY LGH-1L WITH A END LENGTH OF 1.69 [42.9].
- MARKED PER MIL-STD-130.
- $\triangle 3$  PLATED GOLD .000030 MIN THK PER MIL-G-45204 OVER NICKEL .000100 MIN THK PER QQ-N-290.

THIS DRAWING IS A CONTROLLED DOCUMENT FOR AMP INCORPORATED. IT IS SUBJECT TO CHANGE AND THE CONTROLLING ENGINEERING ORGANIZATION SHOULD BE CONTACTED FOR THE LATEST REVISION.

DO NOT SCALE PRINT. UNLESS SPECIFIED DIMENSIONS IN INCHES [mm] TOLERANCES ON: 2 PLC DEC ± .01 [0.25] 3 PLC DEC ± .005 [0.13] ANGLES ± -	DR 7-12-94 C.C. THOMAS
MATERIAL SEE CALLOUTS	CHK 7-16-94 D. WEYANDT
COLOR SEE CALLOUTS	APPD 7-16-94 D. WEYANDT
	RLSE 7-16-94 C.C. THOMAS
	PRODUCT SPEC -
	APPLICATION SPEC -
	WEIGHT -

<b>AMP</b> AMP Incorporated Harrisburg, PA 17105-3608		
NAME FLANGED RCPT, LGH-1L		
SIZE <b>B</b>	CAGE CODE 00779	DRAWING NO <b>C</b> -449925
SCALE 2:1	SHEET 1 OF 1	

449925-1  
 PART NO.