



Chipsmall Limited consists of a professional team with an average of over 10 year of expertise in the distribution of electronic components. Based in Hongkong, we have already established firm and mutual-benefit business relationships with customers from,Europe,America and south Asia,supplying obsolete and hard-to-find components to meet their specific needs.

With the principle of "Quality Parts,Customers Priority,Honest Operation,and Considerate Service",our business mainly focus on the distribution of electronic components. Line cards we deal with include Microchip,ALPS,ROHM,Xilinx,Pulse,ON,Everlight and Freescale. Main products comprise IC,Modules,Potentiometer,IC Socket,Relay,Connector.Our parts cover such applications as commercial,industrial, and automotives areas.

We are looking forward to setting up business relationship with you and hope to provide you with the best service and solution. Let us make a better world for our industry!



## Contact us

Tel: +86-755-8981 8866 Fax: +86-755-8427 6832

Email & Skype: info@chipsmall.com Web: www.chipsmall.com

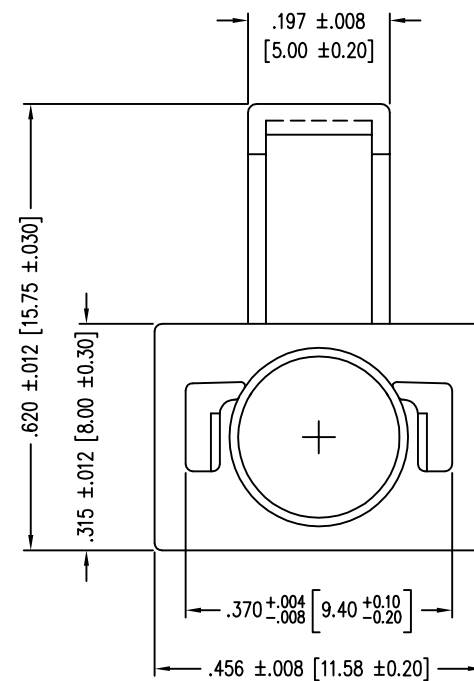
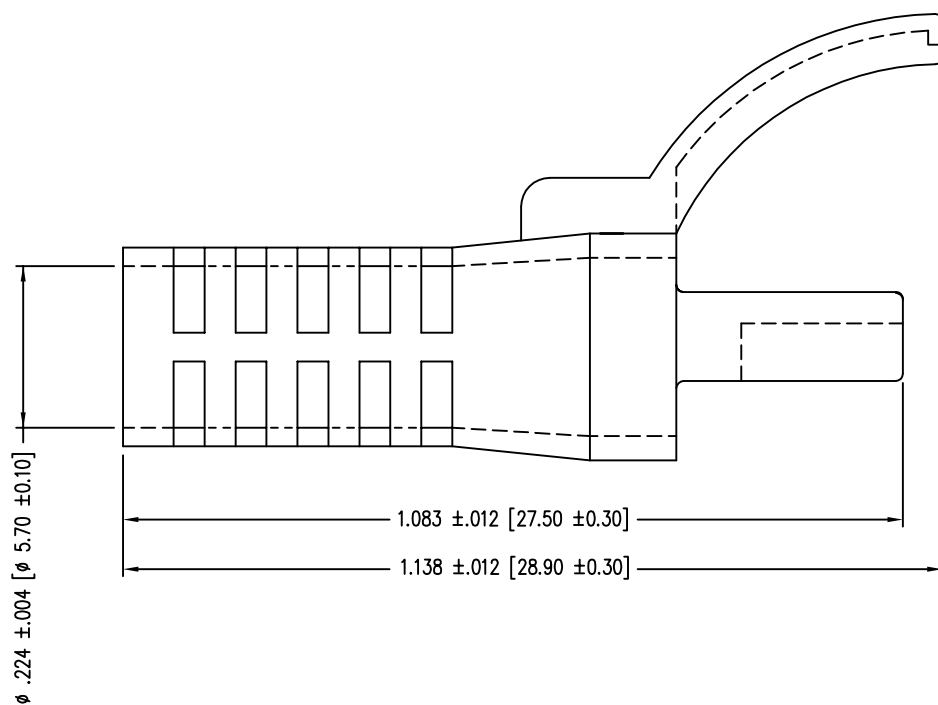
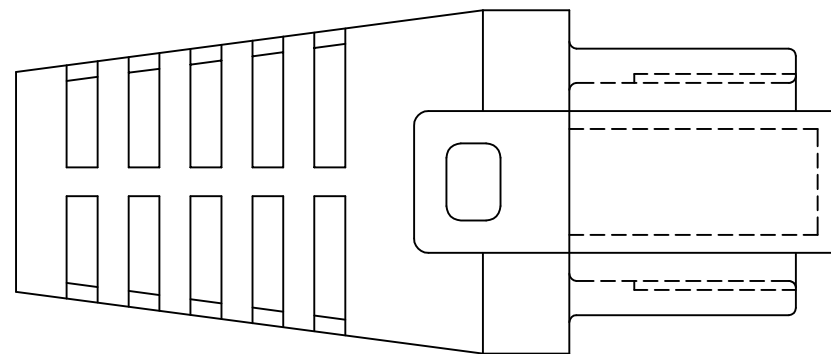
Address: A1208, Overseas Decoration Building, #122 Zhenhua RD., Futian, Shenzhen, China



2

1

DATE	REV	ECN	APP'D. BY
10-1-15	A3	10434	TRM
3-30-16	A4	10653	TRM



PART NUMBER	COLOR
450-034	CLEAR
450-035	YELLOW
450-036	WHITE
450-037	RED
450-038	GREEN
450-039	GREY
450-040	BLUE
450-041	BLACK
450-042	ORANGE

NOTES:  
1. CONNECTOR MATERIALS:  
HOUSING: THERMOPLASTIC

B

B

A

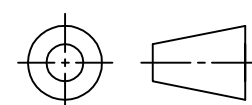
A



11118 Susquehanna Trail South  
Glen Rock, PA 17327-9199  
(717) 235-7512

<http://www.stewartconnector.com>

THIRD ANGLE PROJECTION



TITLE  
EXTERNAL STRAIN RELIEF BOOT

THIS DRAWING AND THE SUBJECT MATTER SHOWN THEREON ARE CONFIDENTIAL AND THE PROPRIETARY PROPERTY OF STEWART CONNECTOR AND SHALL NOT BE REPRODUCED, COPIED, OR USED IN ANY MANNER WITHOUT PRIOR WRITTEN CONSENT OF STEWART CONNECTOR. ONE OR MORE U.S. PATENTS MAY APPLY TO THIS PRODUCT. FOR DETAILS, PLEASE VISIT: [HTTP://BELFUSE.COM/STEWART/STEWART\\_PATENTS/](http://BELFUSE.COM/STEWART/STEWART_PATENTS/)

TOOL NUMBER	-
PART NUMBER	See Chart
DRAWING NUMBER	CT999096

UNLESS OTHERWISE SPECIFIED DIMENSIONS ARE IN INCHES

TOLERANCES ARE:  
 ANGLES  $\pm 1^\circ$   
 2 PLC. DEC.  $\pm .010"$   
 3 PLC. DEC.  $\pm .003"$   
 4 PLC. DEC.  $\pm .0005"$   
 DO NOT SCALE DRAWING

DRN BY:	S.M. Neal	DATE	12-4-12
CHKD BY:	K.A. Crawford	DATE	12-4-12
APPD BY:	D.R. Imschweiler	DATE	12-4-12
SHEET	1 OF 1	SCALE	1 : 1
REV.	A4		