



Chipsmall Limited consists of a professional team with an average of over 10 year of expertise in the distribution of electronic components. Based in Hongkong, we have already established firm and mutual-benefit business relationships with customers from,Europe,America and south Asia,supplying obsolete and hard-to-find components to meet their specific needs.

With the principle of “Quality Parts,Customers Priority,Honest Operation,and Considerate Service”,our business mainly focus on the distribution of electronic components. Line cards we deal with include Microchip,ALPS,ROHM,Xilinx,Pulse,ON,Everlight and Freescale. Main products comprise IC,Modules,Potentiometer,IC Socket,Relay,Connector.Our parts cover such applications as commercial,industrial, and automotives areas.

We are looking forward to setting up business relationship with you and hope to provide you with the best service and solution. Let us make a better world for our industry!



Contact us

Tel: +86-755-8981 8866 Fax: +86-755-8427 6832

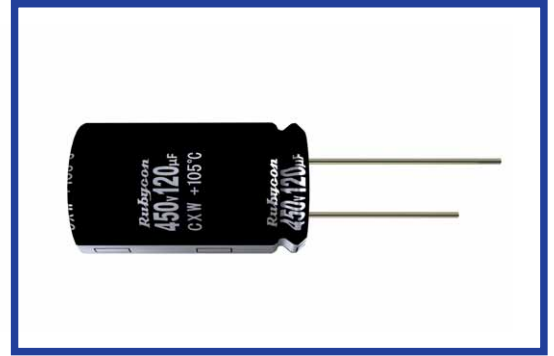
Email & Skype: info@chipsmall.com Web: www.chipsmall.com

Address: A1208, Overseas Decoration Building, #122 Zhenhua RD., Futian, Shenzhen, China



CXW SERIES
105°C 5000 hours, Ultra Miniaturized

•Temperature Range : -40°C~+105°C


◆SPECIFICATIONS

Items	Characteristics								
Category Temperature Range	-40~+105°C								
Rated Voltage Range	400~500Vdc								
Capacitance Tolerance	±20% (20°C, 120Hz)								
Leakage Current(MAX)	$I=3\sqrt{CV}$ (After 5 minutes application of rated voltage) I =Leakage Current(μ A) C =Capacitance(μ F) V =Rated Voltage(Vdc)								
Dissipation Factor(MAX) (tan δ)	<table border="1"> <tr> <td>Rated Voltage (Vdc)</td> <td>400~450</td> <td>500</td> <td>(20°C, 120Hz)</td> </tr> <tr> <td>tanδ</td> <td>0.20</td> <td>0.25</td> <td></td> </tr> </table>	Rated Voltage (Vdc)	400~450	500	(20°C, 120Hz)	tan δ	0.20	0.25	
Rated Voltage (Vdc)	400~450	500	(20°C, 120Hz)						
tan δ	0.20	0.25							
Endurance	After applying rated voltage with rated ripple current for 5000 hours at 105°C, the capacitors shall meet the following requirements. <table border="1"> <tr> <td>Capacitance Change</td> <td>Within ±20% of the initial value.</td> </tr> <tr> <td>Dissipation Factor</td> <td>Not more than 200% of the specified value.</td> </tr> <tr> <td>Leakage Current</td> <td>Not more than the specified value.</td> </tr> </table>	Capacitance Change	Within ±20% of the initial value.	Dissipation Factor	Not more than 200% of the specified value.	Leakage Current	Not more than the specified value.		
Capacitance Change	Within ±20% of the initial value.								
Dissipation Factor	Not more than 200% of the specified value.								
Leakage Current	Not more than the specified value.								
Low Temperature Stability Impedance Ratio(MAX)	<table border="1"> <tr> <td>Rated Voltage (Vdc)</td> <td>400</td> <td>420~500</td> <td>(120Hz)</td> </tr> <tr> <td>Z(-25°C)/Z(20°C)</td> <td>5</td> <td>6</td> <td></td> </tr> </table>	Rated Voltage (Vdc)	400	420~500	(120Hz)	Z(-25°C)/Z(20°C)	5	6	
Rated Voltage (Vdc)	400	420~500	(120Hz)						
Z(-25°C)/Z(20°C)	5	6							

◆MULTIPLIER FOR RIPPLE CURRENT

Frequency (Hz)	60(50)	120	500	1k	10k \leq
Coefficient	0.80	1.00	1.25	1.40	1.50

◆OPTION

Option	Code
PET Sleeve (-40~+105°C)	EFR ※

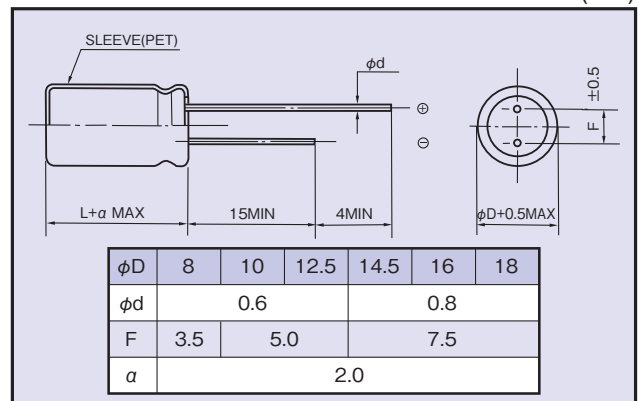
※PET Sleeve -25~+105°C(EFC) is also available, please consult our sales offices.

◆PART NUMBER

□□□	CXW	□□□	M	□□□	□□	DXL
Rated Voltage	Series	Capacitance	Capacitance Tolerance	Option	Lead Forming	Case Size

◆DIMENSIONS

(mm)



◆STANDARD SIZE

Rated Voltage (Vdc)	Capacitance (μF)	Size φD×L (mm)	Rated Ripple Current (A r.m.s./105°C,120Hz)
400	15	8×25	0.16
	18	8×30	0.19
	22	8×35	0.22
	27	8×40	0.25
	33	8×45	0.29
	39	10×40	0.37
	47	10×45	0.42
	56	10×50	0.47
	68	12.5×40	0.54
	82	12.5×45	0.61
	82	14.5×31.5	0.57
	100	12.5×50	0.68
	100	14.5×40	0.69
	100	16×31.5	0.71
	120	14.5×45	0.79
	120	16×35	0.80
	150	16×40	0.92
	150	18×31.5	0.89
	150	18×40	1.05
	180	16×50	1.08
180	18×40	1.06	
220	18×45	1.20	
420	12	8×25	0.10
	15	8×30	0.12
	18	8×35	0.16
	22	8×40	0.19
	39	10×40	0.36
	47	10×50	0.43
	56	12.5×40	0.48
	68	12.5×40	0.52
	68	14.5×31.5	0.52
	82	12.5×45	0.59
	82	14.5×35	0.59
	100	14.5×40	0.67
	100	16×31.5	0.69
	120	14.5×45	0.75
	120	16×35	0.78
	120	18×31.5	0.80
	150	16×45	0.94
	150	18×35	0.92
	180	16×50	1.05
	180	18×40	1.04
220	18×50	1.22	

Rated Voltage (Vdc)	Capacitance (μF)	Size φD×L (mm)	Rated Ripple Current (A r.m.s./105°C,120Hz)
450	10	8×25	0.12
	12	8×30	0.14
	15	8×35	0.16
	18	8×40	0.18
	22	8×50	0.22
	33	10×40	0.34
	39	10×45	0.38
	47	12.5×40	0.44
	56	12.5×40	0.49
	68	12.5×45	0.55
	68	14.5×31.5	0.52
	82	12.5×50	0.62
	82	14.5×40	0.63
	82	16×31.5	0.64
	82	16×35	0.60
	100	14.5×45	0.71
	100	16×35	0.73
	120	14.5×50	0.79
	120	16×40	0.82
	120	18×31.5	0.80
120	18×40	0.85	
150	16×50	0.98	
150	18×40	0.97	
180	18×45	1.09	
220	18×50	1.22	
500	82	16×45	0.61

※Additional multiplier for ripple current

Frequency (Hz)	50k≦
Coefficient	2.00