



Chipsmall Limited consists of a professional team with an average of over 10 year of expertise in the distribution of electronic components. Based in Hongkong, we have already established firm and mutual-benefit business relationships with customers from,Europe,America and south Asia,supplying obsolete and hard-to-find components to meet their specific needs.

With the principle of “Quality Parts,Customers Priority,Honest Operation,and Considerate Service”,our business mainly focus on the distribution of electronic components. Line cards we deal with include Microchip,ALPS,ROHM,Xilinx,Pulse,ON,Everlight and Freescale. Main products comprise IC,Modules,Potentiometer,IC Socket,Relay,Connector.Our parts cover such applications as commercial,industrial, and automotives areas.

We are looking forward to setting up business relationship with you and hope to provide you with the best service and solution. Let us make a better world for our industry!



Contact us

Tel: +86-755-8981 8866 Fax: +86-755-8427 6832

Email & Skype: info@chipsmall.com Web: www.chipsmall.com

Address: A1208, Overseas Decoration Building, #122 Zhenhua RD., Futian, Shenzhen, China



450 "STOCK POT" SERIES

Features

- Off the shelf availability
- Choice of linear or 10% logarithmic tapers
- Wide resistance range
- Available with three molded plug-in shaft styles: knurled & slotted, flatted or round.
- Economical in limited volume applications.



Electrical and Mechanical Specifications

Resistance Range

500 ohms through 500K ohms

Resistance Tolerance

± 20%

Power Rating, Watts

Through 10K ohms, 1/2 watt; above 10K ohms through 100K ohms, 1/3 watt; above 100K ohms, 1/4 watt

Voltage Rating:

Bushing to terminals:

High pot test, one minute - 1080 VAC

Shaft Information

Diameter: .250" (Dia. over knurl .240" - .246")

Angle of Rotation

Total Rotation: 300 degrees, ± 5%

Effective Rotation approximately 300 degrees

Bushing Information

Material: Diecast zinc

Diameter: EIA std. 3/8"-32 UNEF-2A thread

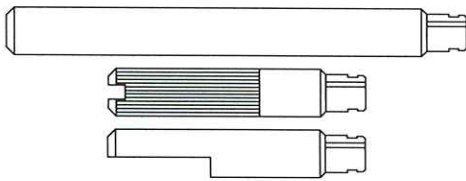
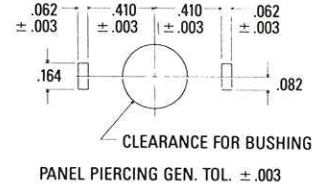
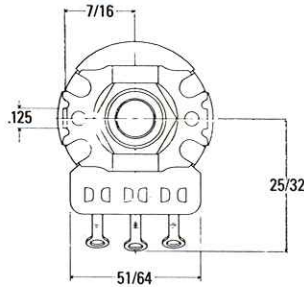
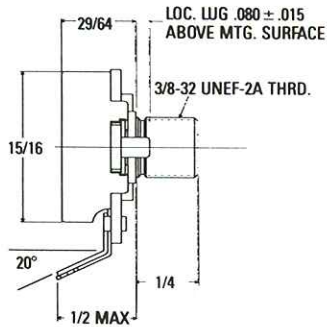
Length: 1/4" ± 1/64"

Terminal Information

Solder lug, formed to rear

Locating Lug

Left side, terminals down



Plug-In Shafts

Three popular shaft styles (8 choices) are available with trim selections including screwdriver slot (.023" wide x .062" deep), flat (.156" wide x 1/2" long) or full round. This wide selection generally eliminates the need for cutting or modification.

450 SERIES "STOCK-POT" STANDARD PART NUMBER

450 D103 KSD4

OHMS	LOG A		LINEAR D TAPER
	TAPER	OR	
500	--		D501
1K	A102		D102
2.5K	A252		D252
5K	A502		D502
10K	A103		D103
25K	A253		D253
50K	A503		D503
100K	A104		D104
250K	A254		D254
500K	A504		D504

SHAFT	SHAFT DETAIL	
	LENGTH FMS	TRIM
KSD4	1/2"	SD SLOT
KSD6	3/4"	SD SLOT
KSD7	7/8"	SD SLOT
KSD8	1"	SD SLOT
F8	1"	FLAT
PR16	2"	ROUND