



Chipsmall Limited consists of a professional team with an average of over 10 year of expertise in the distribution of electronic components. Based in Hongkong, we have already established firm and mutual-benefit business relationships with customers from,Europe,America and south Asia,supplying obsolete and hard-to-find components to meet their specific needs.

With the principle of “Quality Parts,Customers Priority,Honest Operation,and Considerate Service”,our business mainly focus on the distribution of electronic components. Line cards we deal with include Microchip,ALPS,ROHM,Xilinx,Pulse,ON,Everlight and Freescale. Main products comprise IC,Modules,Potentiometer,IC Socket,Relay,Connector.Our parts cover such applications as commercial,industrial, and automotives areas.

We are looking forward to setting up business relationship with you and hope to provide you with the best service and solution. Let us make a better world for our industry!



Contact us

Tel: +86-755-8981 8866 Fax: +86-755-8427 6832

Email & Skype: info@chipsmall.com Web: www.chipsmall.com

Address: A1208, Overseas Decoration Building, #122 Zhenhua RD., Futian, Shenzhen, China



UFG SERIES
85°C High Capacitance, 4-pin Snap-in Terminal Type

*Load Life : 85°C 10000 hours.


◆SPECIFICATIONS

Items	Characteristics						
Category Temperature Range	-25~+85°C						
Rated Voltage Range	350~450Vdc						
Capacitance Tolerance	±20% (20°C, 120Hz)						
Leakage Current(MAX)	$I=3\sqrt{CV}$ (After 5 minutes application of rated voltage) I =Leakage Current(μ A) C =Capacitance(μ F) V =Rated Voltage(Vdc)						
Dissipation Factor(MAX) (tan δ)	0.2 (20°C, 120Hz)						
Endurance	After applying rated voltage with rated ripple current for 10000 hours at 85°C, the capacitors shall meet the following requirements. <table border="1" style="width: 100%;"> <tr> <td>Capacitance Change</td> <td>Within ±20% of the initial value.</td> </tr> <tr> <td>Dissipation Factor</td> <td>Not more than 200% of the specified value.</td> </tr> <tr> <td>Leakage Current</td> <td>Not more than the specified value.</td> </tr> </table>	Capacitance Change	Within ±20% of the initial value.	Dissipation Factor	Not more than 200% of the specified value.	Leakage Current	Not more than the specified value.
Capacitance Change	Within ±20% of the initial value.						
Dissipation Factor	Not more than 200% of the specified value.						
Leakage Current	Not more than the specified value.						
Low Temperature Stability Impedance Ratio(MAX)	<table border="1" style="width: 100%;"> <tr> <td>Rated Voltage (Vdc)</td> <td>350~450</td> <td>(120Hz)</td> </tr> <tr> <td>Z(-25°C)/Z(20°C)</td> <td>8</td> <td></td> </tr> </table>	Rated Voltage (Vdc)	350~450	(120Hz)	Z(-25°C)/Z(20°C)	8	
Rated Voltage (Vdc)	350~450	(120Hz)					
Z(-25°C)/Z(20°C)	8						

◆MULTIPLIER FOR RIPPLE CURRENT

Frequency (Hz)	60(50)	120(100)	300	500	1k	10k \leq
Coefficient	0.80	1.00	1.15	1.20	1.25	1.40

◆OPTION

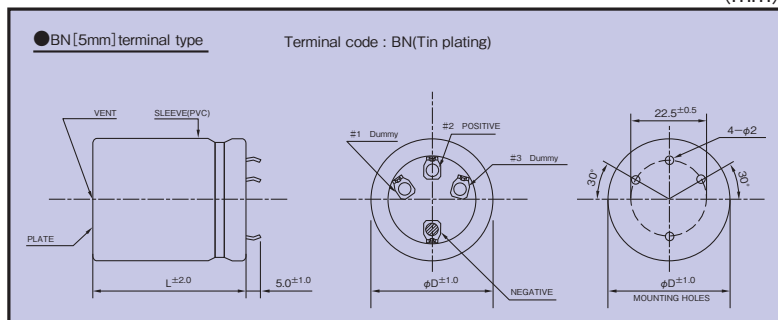
	Code
PVC Sleeve with plate	Blank

◆PART NUMBER

□□□	UFG	□□□□□	M	□□□	BN	DXL
Rated Voltage	Series	Capacitance	Capacitance Tolerance	Option	Terminal Code	Case Size

◆DIMENSIONS

(mm)



◆ STANDARD SIZE

Cap (μ F)	Vdc		350					
	ϕ D		ϕ 35	ϕ 40	ϕ 45			
680			35×50	4.02				
820			35×55	4.41	40×50	4.53		
1000			35×65	5.04	40×55	4.95		
1200			35×75	5.65	40×60	5.35	45×50	4.92
1500			35×95	6.64	40×70	6.08	45×60	5.78
1800					40×90	7.23	45×65	6.14
2200							45×85	7.48
2700							45×100	8.47

Cap (μ F)	Vdc		400					
	ϕ D		ϕ 35	ϕ 40	ϕ 45			
560			35×50	3.83				
680			35×60	4.42	40×50	4.33		
820			35×65	4.80	40×55	4.72	45×50	4.74
1000			35×80	5.58	40×65	5.42	45×55	5.15
1200			35×90	6.15	40×75	6.08	45×60	5.54
1500					40×90	7.00	45×70	6.28
1800							45×80	6.98
2200							45×95	7.98

Cap (μ F)	Vdc		420					
	ϕ D		ϕ 35	ϕ 40	ϕ 45			
560			35×50	3.77				
680			35×60	4.35	40×50	4.28		
820			35×65	4.73	40×55	4.68		
1000			35×80	5.49	40×65	5.36	45×50	4.70
1200			35×95	6.20	40×75	6.02	45×60	5.52
1500					40×90	6.88	45×70	6.26
1800							45×85	7.22
2200							45×100	8.18

Cap (μ F)	Vdc		450					
	ϕ D		ϕ 35	ϕ 40	ϕ 45			
470			35×50	3.61				
560			35×55	3.96	40×50	4.11		
680			35×65	4.52	40×55	4.51		
820			35×75	5.06	40×60	4.90	45×50	4.60
1000			35×85	5.63	40×70	5.56	45×60	5.38
1200			35×100	6.34	40×80	6.19	45×65	5.76
1500					40×95	7.07	45×80	6.81
1800							45×90	7.46

↑ Ripple Current (A r.m.s./120Hz, 85°C)
 ↑ Case Size ϕ D×L(mm)