



Chipsmall Limited consists of a professional team with an average of over 10 year of expertise in the distribution of electronic components. Based in Hongkong, we have already established firm and mutual-benefit business relationships with customers from,Europe,America and south Asia,supplying obsolete and hard-to-find components to meet their specific needs.

With the principle of “Quality Parts,Customers Priority,Honest Operation,and Considerate Service”,our business mainly focus on the distribution of electronic components. Line cards we deal with include Microchip,ALPS,ROHM,Xilinx,Pulse,ON,Everlight and Freescale. Main products comprise IC,Modules,Potentiometer,IC Socket,Relay,Connector.Our parts cover such applications as commercial,industrial, and automotives areas.

We are looking forward to setting up business relationship with you and hope to provide you with the best service and solution. Let us make a better world for our industry!



## Contact us

Tel: +86-755-8981 8866 Fax: +86-755-8427 6832

Email & Skype: info@chipsmall.com Web: www.chipsmall.com

Address: A1208, Overseas Decoration Building, #122 Zhenhua RD., Futian, Shenzhen, China



DO NOT SCALE FROM THIS PRINT

DIMENSIONS ARE IN INCHES		UNLESS OTHERWISE NOTED		TOLERANCES ARE:		TITLE: ASSEMBLY	DWG NO: XDMX-XX-X-XX.XX-XXX-XXX
ONE PLACE DECIMALS ± .1	TWO PLACE DECIMALS ± .01	THREE PLACE DECIMALS ± .005	FOUR PLACE DECIMALS ± .0020	ANGLES ± 1		INSULATION DISPLACEMENT TERMINAL CONNECTOR	SHEET 1 OF 2

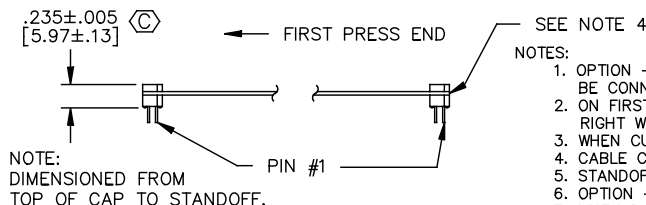
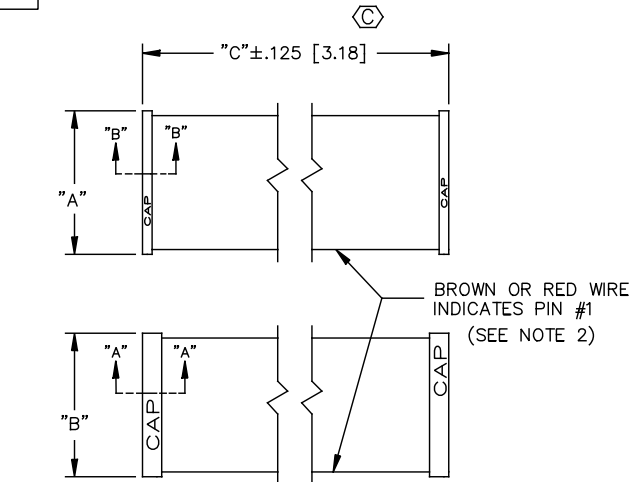
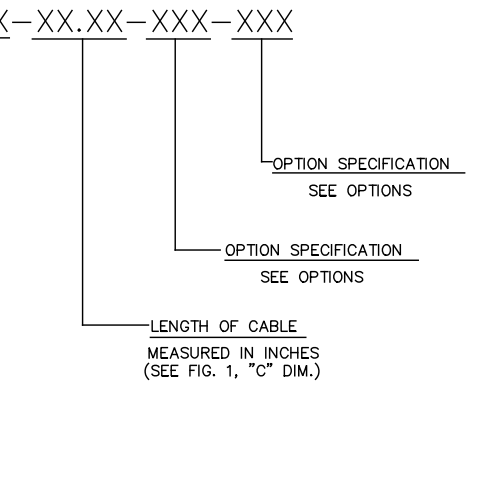


FIG 2

**TAIL SPECIFICATION**  
(SEE SECT. "A-A" & "B-B")  
I: D=.125 (T-1S7-01-X)  
\*\*E: D=.200 (T-1S7-02-X)

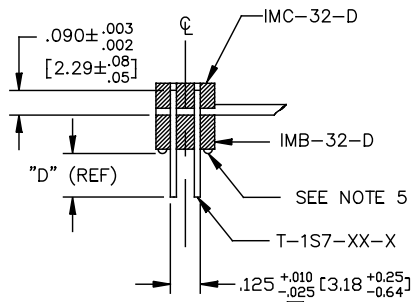
**ROW SPECIFICATION**  
-S: SINGLE  
-D: DOUBLE

**NO. OF CONDUCTORS**  
(-02 THRU -32 PER ROW)  
USE CABLE CB-XX-28-7/36-100-C (XDMS)  
USE CABLE CB-XX-28-7/36-050-C (XDMD)  
"A" ± .015 [.38] = "XX"x.100 [2.54] + .019 [.48] (-01 THRU -31)  
OR 3.210 [81.53] REF (-32)  
"B" ± .015 [.38] = "XX"x.100 [2.54] + .059 [1.50] (-01 THRU -31)  
OR 3.250 [82.55] REF (-32)  
(SEE NOTE 3)  
\* NOTE: STANDARD COLOR-CODED CABLE N/A FOR DOUBLE ROW 31 & 32 POSITION - SEE -G OPTION.  
\*\* = EXISTING CUSTOMERS ONLY

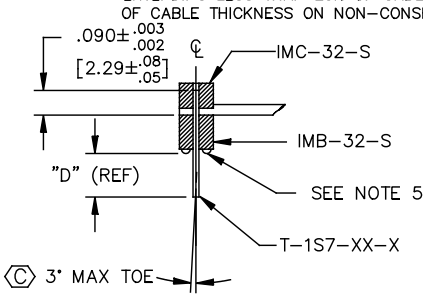


NOTES:

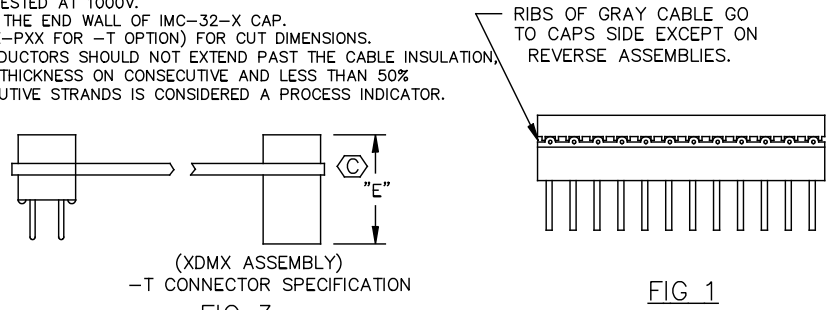
- OPTION -SXX WHEN MATING DOUBLE ROW CONNECTOR WITH 2 SINGLE ROW CONNECTORS, THE OUTER MOST SINGLE WILL BE CONNECTED TO CONDUCTOR #1 AND THE INSIDE SINGLE TO CONDUCTOR #2.
- ON FIRST CABLE INSERTION PRESS, THE BROWN WIRE (COLORED CABLE) OR THE RED WIRE (GRAY CABLE) IS POSITIONED TO THE RIGHT WITH THE "FAT END" OF THE BASE AND CAP.
- WHEN CUTTING BASE AND CAPS TO POSITION, END WALLS ON CUT ENDS SHALL BE .010 [.25] MIN.
- CABLE CAN BE RECESSED OR EXTENDED .010 [.25] MAX. FROM FLUSH
- STANDOFFS ON BASE SHALL STAND .010 [.25] MIN. FROM SURFACE OF IMB-32-X.
- OPTION -PXX: POLARIZING OPTION CAN ONLY BE USED ON IDX END OF -T (TRANSFER) OPTION.
- WHEN DAISY CHAINING A TRANSFER END OPTION, ONLY THE FIRST CONNECTOR IS MALE; THE REMAINING CONNECTORS ARE FEMALE.
- A CHAMFER ON THE END OF THE CAP IS GUARANTEED ON FINAL ASSEMBLIES THAT ARE AT LEAST 18 POSITIONS FOR MALE AND FEMALE TERMINATION.
- ALL ASSEMBLIES TO BE 100% ELECTRICALLY TESTED FOR SHORTS AND OPENS.
- ALL ASSEMBLIES TO BE 100% HI-POT TESTED AT 1000V.
- CONTACT NOT TO BE VISIBLE THROUGH THE END WALL OF IMC-32-X CAP.
- REFERENCE XMD-XX-X (AND IDX-XX-X-PXX FOR -T OPTION) FOR CUT DIMENSIONS.
- WHEN CUTTING CABLE TO LENGTH, CONDUCTORS SHOULD NOT EXTEND PAST THE CABLE INSULATION, EXTENDING LESS THAN 25% OF CABLE THICKNESS ON CONSECUTIVE AND LESS THAN 50% OF CABLE THICKNESS ON NON-CONSECUTIVE STRANDS IS CONSIDERED A PROCESS INDICATOR.



SECT. "A-A"  
(XDMD ASSEMBLY)  
(REFER TO XMD-XX-X ASSEMBLY)



SECT. "B-B"  
(XDMS ASSEMBLY)  
(REFER TO XMS-XX-X ASSEMBLY)



POSITION	"E"
2,3,4	.360 ± .005 [.914 ± .13]
5 AND UP	.365 ± .010 [.927 ± .25]

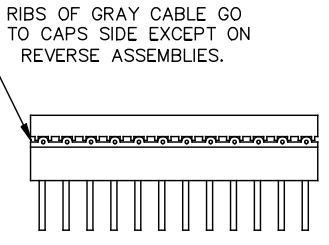


FIG 1

**PROPRIETARY NOTE**  
THIS DOCUMENT CONTAINS INFORMATION CONFIDENTIAL AND PROPRIETARY TO SAMTEC INC. AND SHALL NOT BE REPRODUCED OR TRANSFERRED TO OTHER DOCUMENTS OR DISCLOSED TO OTHERS OR USED FOR ANY PURPOSE OTHER THAN THAT FOR WHICH IT WAS OBTAINED WITHOUT THE EXPRESSED WRITTEN CONSENT OF SAMTEC INC.

**samtec**

520 PARK EAST BLVD. NEW ALBANY, INDIANA 47150  
PHONE (812) 944-6733 P.O. BOX 1147  
CODE 55322

MADE BY: JORDAN 12-30-87  
XDMX-XX-X-XX.XX-XXX-XXX  
SHEET 1 OF 2