



Chipsmall Limited consists of a professional team with an average of over 10 year of expertise in the distribution of electronic components. Based in Hongkong, we have already established firm and mutual-benefit business relationships with customers from,Europe,America and south Asia,supplying obsolete and hard-to-find components to meet their specific needs.

With the principle of “Quality Parts,Customers Priority,Honest Operation,and Considerate Service”,our business mainly focus on the distribution of electronic components. Line cards we deal with include Microchip,ALPS,ROHM,Xilinx,Pulse,ON,Everlight and Freescale. Main products comprise IC,Modules,Potentiometer,IC Socket,Relay,Connector.Our parts cover such applications as commercial,industrial, and automotives areas.

We are looking forward to setting up business relationship with you and hope to provide you with the best service and solution. Let us make a better world for our industry!



Contact us

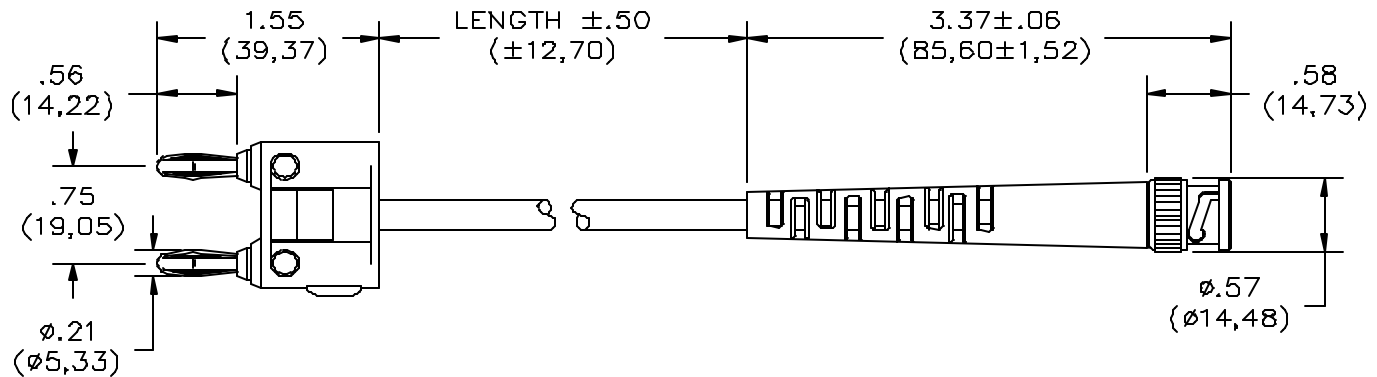
Tel: +86-755-8981 8866 Fax: +86-755-8427 6832

Email & Skype: info@chipsmall.com Web: www.chipsmall.com

Address: A1208, Overseas Decoration Building, #122 Zhenhua RD., Futian, Shenzhen, China



Model 4530 BNC (Male) With Molded Strain Relief To Stacking Double Banana Plug



FEATURES:

- Cable allows interconnection between Banana Plug and BNC based test instruments.
- BNC Connector and Double Banana Plug are molded directly to the cable for superior cable strength.
- Double Banana Plug features nickel plated Beryllium Copper springs for tarnish resistance and long insertion Life
- Double Banana Plugs have vertical and horizontal stacking capabilities.

MATERIALS:

BNC: Body: Brass, Nickel Plated, Center Pin: Brass, Gold Plated, Impedance: 50 Ohms

Strain Relief and Molded Breakout: PVC, Color: Black

Cable: RG58C/U, Capacitance: 30.8 pF/Ft., O.D.: .195" (5,0 0mm) Nom.

Marking "POMONA ELECTRONICS 4530-C-XX"

Double Banana Plug: Body – Brass, Nickel Plated

Spring – Beryllium Copper, Nickel Plated

Insulation: Polypropylene, Color: Black

RATING:

Voltage: Hand-held testing: 30VAC/60VDC Max.

Hands free testing in controlled voltage environments: 500VRMS Max.

Operating Temperature: 50°C (+122°F) Max.

ORDERING INFORMATION: Model 4530-C-XX

XX = Cable Type, Std. Lengths: 18" (45.72cm), 24" (60.96 cm), 36" (91.44 cm), 48" (121.92 cm)

& 60" (152.40 cm) Ordering Example: 4530-C-36, Cable length will be 36" long.

Additional lengths are available upon request.

All dimensions are in inches. Tolerances (except noted): .xx = ±.02" (.51 mm), .xxx = ± .005" (.127 mm).

All specifications are to the latest revisions. Specifications are subject to change without notice.

Registered trademarks are the property of their respective companies. Made in USA