



Chipsmall Limited consists of a professional team with an average of over 10 year of expertise in the distribution of electronic components. Based in Hongkong, we have already established firm and mutual-benefit business relationships with customers from,Europe,America and south Asia,supplying obsolete and hard-to-find components to meet their specific needs.

With the principle of “Quality Parts,Customers Priority,Honest Operation,and Considerate Service”,our business mainly focus on the distribution of electronic components. Line cards we deal with include Microchip,ALPS,ROHM,Xilinx,Pulse,ON,Everlight and Freescale. Main products comprise IC,Modules,Potentiometer,IC Socket,Relay,Connector.Our parts cover such applications as commercial,industrial, and automotives areas.

We are looking forward to setting up business relationship with you and hope to provide you with the best service and solution. Let us make a better world for our industry!



Contact us

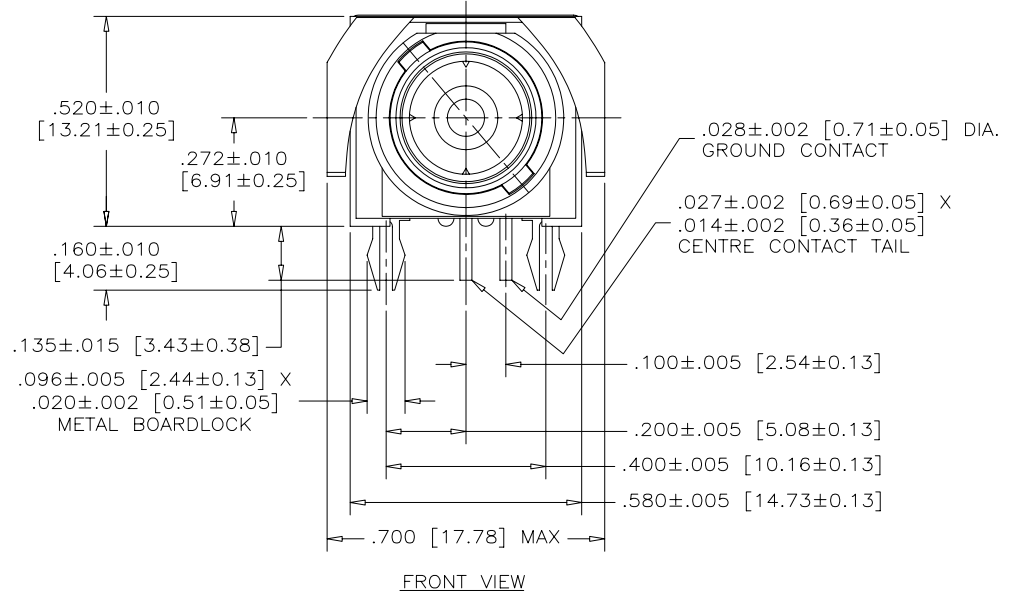
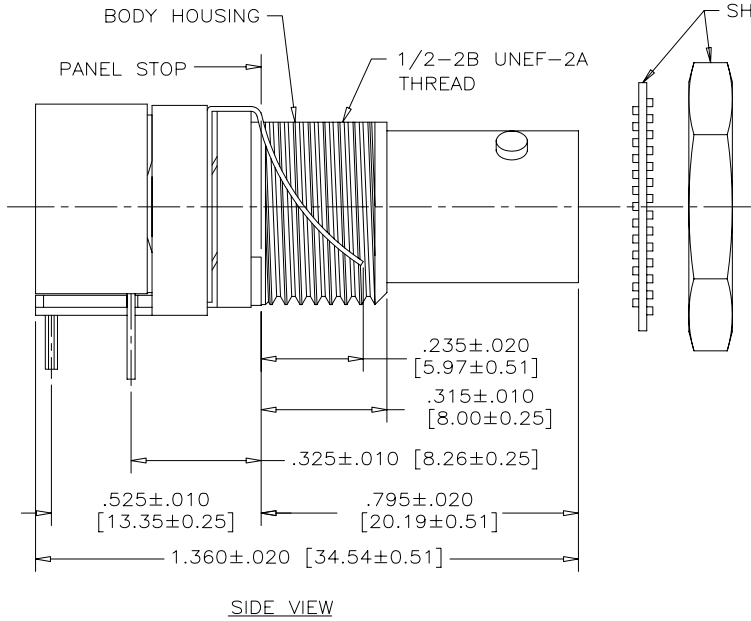
Tel: +86-755-8981 8866 Fax: +86-755-8427 6832

Email & Skype: info@chipsmall.com Web: www.chipsmall.com

Address: A1208, Overseas Decoration Building, #122 Zhenhua RD., Futian, Shenzhen, China



REVISIONS			
REV	ECN, ERN NO.	DATE	APPRD.
A	PRODUCT DRAWING (EAR 12935)	MAR30/06	K.L.



MECHANICAL SPECIFICATION:

ALL MATERIALS ARE RoHS COMPLIANT

BODY HOUSING: THERMOPLASTIC POLYESTER

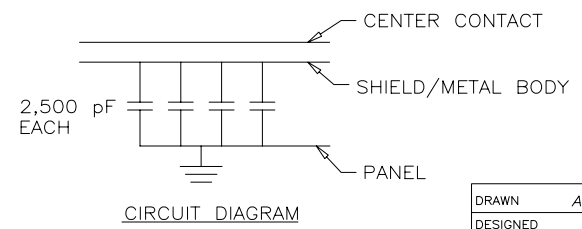
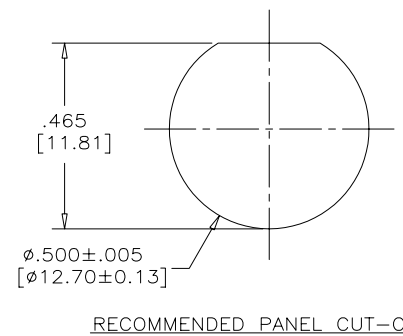
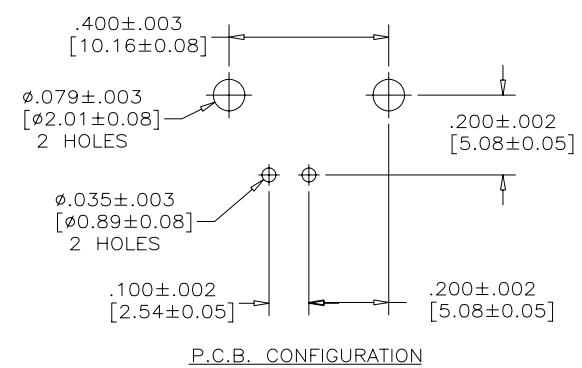
GROUNDING DEVICE: COPPER ALLOY, TIN PLATED

CENTRE CONTACT: PHOSPHOR BRONZE, 10µ" [0.25 MICRONS] GOLD PLATED OVER NICKEL WITH TIN ON P.C.B. TAILS

METAL BODY: HIGH STRENGTH ZINC DIECAST NICKEL PLATED

ELECTRICAL SPECIFICATION:

CAPACITANCE	10000 pF ± 15%
DIELECTRIC WITHSTANDING VOLTAGE	1000 VDC 500 VRMS
WORKING VOLTAGE	200 VDC
IMPEDANCE (SEE PART NUMBER)	50 OR 75 OHM NOMINAL
OPERATING TEMPERATURE	-20°C TO +85°C



AMPHENOL PART NO.	IMPEDANCE
456E-117H	50 OHM
456E-717H	75 OHM

NOTE: BOARDLOCKS ARE ELECTRICALLY CONNECTED TO THE BODY.

THIS DOCUMENT CONTAINS PROPRIETARY INFORMATION AND SUCH INFORMATION MAY NOT BE DISCLOSED TO OTHERS FOR ANY PURPOSE OR USED FOR MANUFACTURING PURPOSES WITHOUT WRITTEN PERMISSION FROM AMPHENOL CANADA CORP.

DRAWN	A.CHENG	DATE	MAR30/06	Amphenol Canada Corp.	
DESIGNED					
CHECKED	K.LAMBIE	DATE	MAR30/06		
I. E. APPRD.					
Q. A. APPRD.				TITLE	456E SERIES CAPACITIVELY DECOUPLED B.N.C. CONNECTOR, RIGHT ANGLE, 10,000 pF, WITH HARDWARE, RoHS COMPLIANT
DWG. APPRD.				DWG	DRAWING NO.
ENG. REL. NO.				C	P-456E-X17H
REF.	EAR 12935			DIMENSIONS ARE IN INCHES [mm]	03554
				SCALE	4/1
				WT.	-----
				SURF.	-----
				SHEET	1 OF 1