



Chipsmall Limited consists of a professional team with an average of over 10 year of expertise in the distribution of electronic components. Based in Hongkong, we have already established firm and mutual-benefit business relationships with customers from,Europe,America and south Asia,supplying obsolete and hard-to-find components to meet their specific needs.

With the principle of “Quality Parts,Customers Priority,Honest Operation,and Considerate Service”,our business mainly focus on the distribution of electronic components. Line cards we deal with include Microchip,ALPS,ROHM,Xilinx,Pulse,ON,Everlight and Freescale. Main products comprise IC,Modules,Potentiometer,IC Socket,Relay,Connector.Our parts cover such applications as commercial,industrial, and automotives areas.

We are looking forward to setting up business relationship with you and hope to provide you with the best service and solution. Let us make a better world for our industry!



## Contact us

Tel: +86-755-8981 8866 Fax: +86-755-8427 6832

Email & Skype: info@chipsmall.com Web: www.chipsmall.com

Address: A1208, Overseas Decoration Building, #122 Zhenhua RD., Futian, Shenzhen, China



4

3

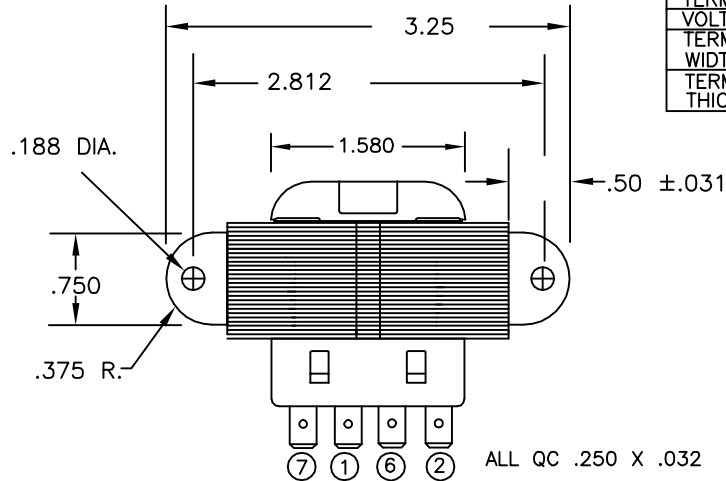
2

1

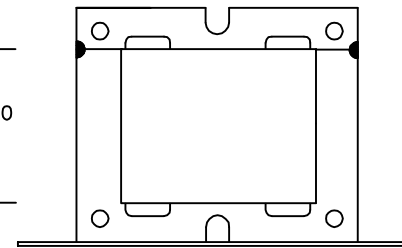
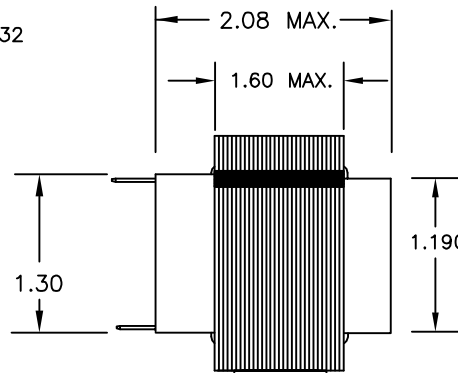
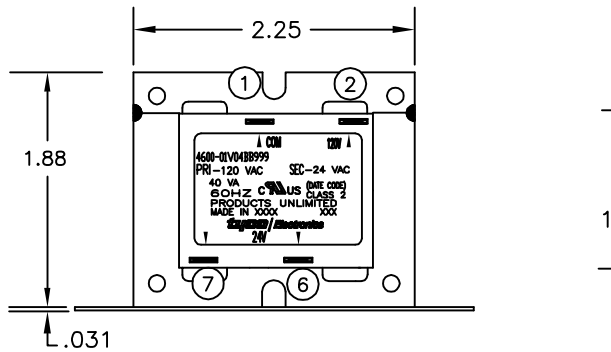
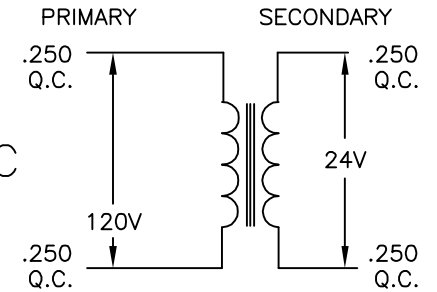
THIS DRAWING IS UNPUBLISHED. RELEASED FOR PUBLICATION  
COPYRIGHT BY TYCO ELECTRONICS CORPORATION. ALL RIGHTS RESERVED.

LOC	DIST	REVISONS		
GZ	00	P	LTR	DESCRIPTION
		B		NEW FORMAT & EC0611-0528-03
				DATE
				04SEPT03
				DWN
				MD
				APVD
				WS

PRIMARY				NOTES		CERTIFICATION:	
TERMINAL NO.	1	2	3	1. DIMENSIONS FOR REFERENCE ONLY.		UL & CUL FILE NO. E87824	
VOLTAGE	COM	120		2. WINDING PROTECTION—INHERENTLY LIMITING		SECONDARY	
TERMINAL WIDTH	.250	.250				TERMINAL NO.	6
TERMINAL THICKNESS	.032	.032				VOLTAGE	24
						TERMINAL WIDTH	.250
						TERMINAL THICKNESS	.032
							.032



SCHEMATIC



TYCO PART NUMBER  
9-1611476-3

THIS DRAWING IS A CONTROLLED DOCUMENT.		DWN	04SEP03	Products Tyco Electronics Corporation	
		CHK	04SEP03	W.SORAH Harrisburg, PA, 17105	
		APVD	04SEP03	NAME	
		W.SORAH			
DIMENSIONS: INCHES		PRODUCT SPEC			
TOLERANCES UNLESS OTHERWISE SPECIFIED:		APPLICATION SPEC			
0 PLC ± -		WEIGHT			
1 PLC ± -		A3			
2 PLC ± -		00779			
3 PLC ± -		C-4600-01V04BB999			
4 PLC ± -		RESTRICTED TO			
ANGLES ± -		SIZE			
FINISH		CAGE CODE			
		DRAWING NO			
		C-4600-01V04BB999			
		SHEET 1 OF 1			
		REV B			
		CUSTOMER DRAWING			
		SCALE NTS			