



Chipsmall Limited consists of a professional team with an average of over 10 year of expertise in the distribution of electronic components. Based in Hongkong, we have already established firm and mutual-benefit business relationships with customers from,Europe,America and south Asia,supplying obsolete and hard-to-find components to meet their specific needs.

With the principle of "Quality Parts,Customers Priority,Honest Operation,and Considerate Service",our business mainly focus on the distribution of electronic components. Line cards we deal with include Microchip,ALPS,ROHM,Xilinx,Pulse,ON,Everlight and Freescale. Main products comprise IC,Modules,Potentiometer,IC Socket,Relay,Connector.Our parts cover such applications as commercial,industrial, and automotives areas.

We are looking forward to setting up business relationship with you and hope to provide you with the best service and solution. Let us make a better world for our industry!



Contact us

Tel: +86-755-8981 8866 Fax: +86-755-8427 6832

Email & Skype: info@chipsmall.com Web: www.chipsmall.com

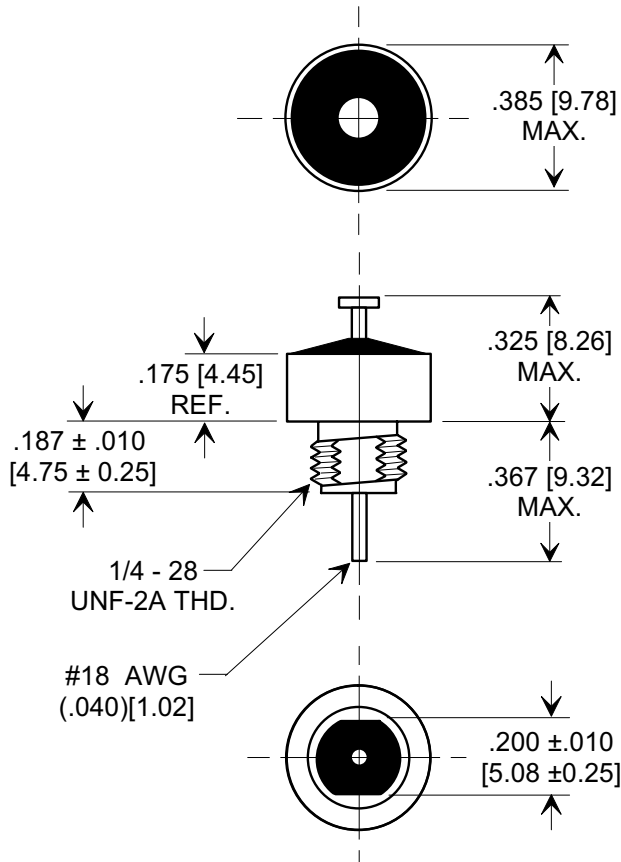
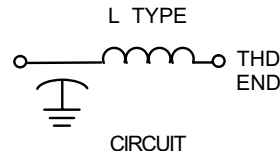
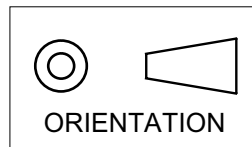
Address: A1208, Overseas Decoration Building, #122 Zhenhua RD., Futian, Shenzhen, China



MARKETING SALES DRAWING

DIMENSIONS IN INCHES - DO NOT SCALE THIS DRAWING
 DIMENSIONS IN METRIC - []

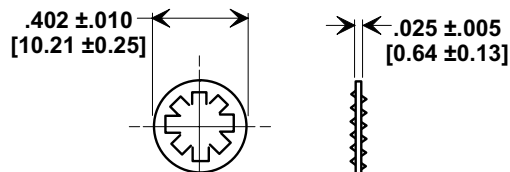
Electrical Testing
 per Tusonix standard
 test plans and Mil-Std-202
 Test Methods.



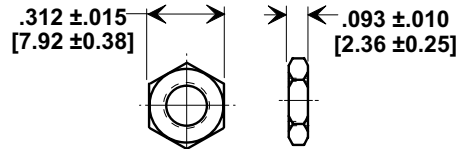
NOTES:

- TUSONIX STANDARD PART NUMBER: 4600-053.
 TUSONIX RoHS COMPLIANT PART NUMBER: 4600-053 LF.
 CUSTOMER MUST SPECIFY STANDARD OR RoHS PART NUMBER WHEN ORDERING.
- MATERIALS:
 BUSHING - TIN PLATED STEEL.
 LEAD STANDARD PART; SOLDER PLATED COPPER.
 RoHS PART; SILVER PLATED COPPER.
 NUT - TIN PLATED BRASS.
 L"WASHER - TIN PLATED PHOSPHOR BRONZE.
- PART MARKING: TRADEMARK AND VARIATION NUMBER.
 STANDARD PART: BLACK INK. RoHS PART: GREEN INK.
- MOUNTING TORQUE: 8 lb - ins. max.
- DCR - .01Ω max.
- MAX. SOLDER TEMPERATURE 500°F.

MOUNTING HARDWARE



LOCK WASHER



HEX NUT

MIN. Cx (μF)	WVDC		CURRENT DC (AMPS)	D.W.V. (VDC)	I.R. MIN.	MIN. NO LOAD INSERTION LOSS (dB) PER MIL-STD 220 @ +25°C						TEMP. CHARA.
	85°C	125°C				30 KHz	100 KHz	300 KHz	1 MHz	10 MHz	1GHz	
1.4	80	50	15	300	500 M Ω	15	25	34	44	60	70	X7R

X-2015 Rev-0	REVISION RECORD		TUSONIX TUCSON, ARIZONA	--TOLERANCES-- Unless Otherwise Specified		Title COAXIAL BROADBAND - "L"	
	0	Original Release C.O. 930129-1		DECIMAL ±			
	4	-066 ADDED 0-400 TO 125°C. S.M. 11-18-97		ANGLES ±		Drawn S.M. 08-19-02	Scale 2 X
	5	1997111-9-03 REVISED DWG & DRAWING MADE FOR EACH VAR. S.M. 08-19-02				Approved B.Mc. 08-19-02	
6	20020819-3-01 REVISED & ADDED NOTES. S.M. 01-05-06			A		4600-053	
6	20060104-3-01						