



Chipsmall Limited consists of a professional team with an average of over 10 year of expertise in the distribution of electronic components. Based in Hongkong, we have already established firm and mutual-benefit business relationships with customers from,Europe,America and south Asia,supplying obsolete and hard-to-find components to meet their specific needs.

With the principle of “Quality Parts,Customers Priority,Honest Operation,and Considerate Service”,our business mainly focus on the distribution of electronic components. Line cards we deal with include Microchip,ALPS,ROHM,Xilinx,Pulse,ON,Everlight and Freescale. Main products comprise IC,Modules,Potentiometer,IC Socket,Relay,Connector.Our parts cover such applications as commercial,industrial, and automotives areas.

We are looking forward to setting up business relationship with you and hope to provide you with the best service and solution. Let us make a better world for our industry!



Contact us

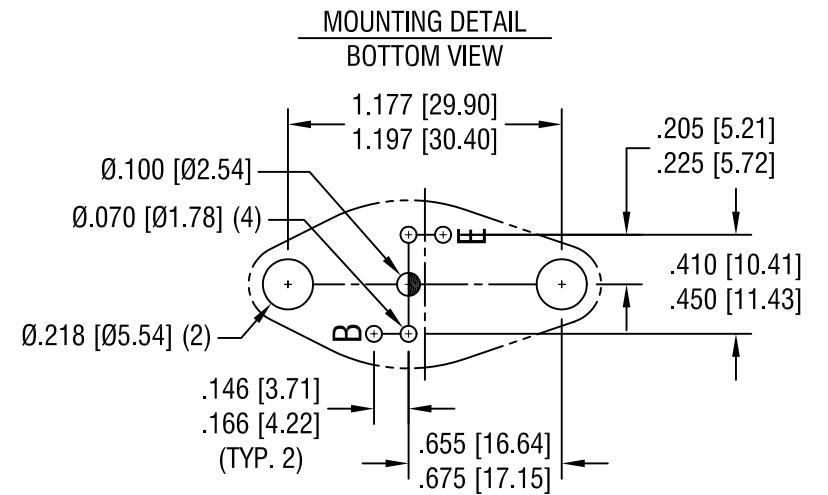
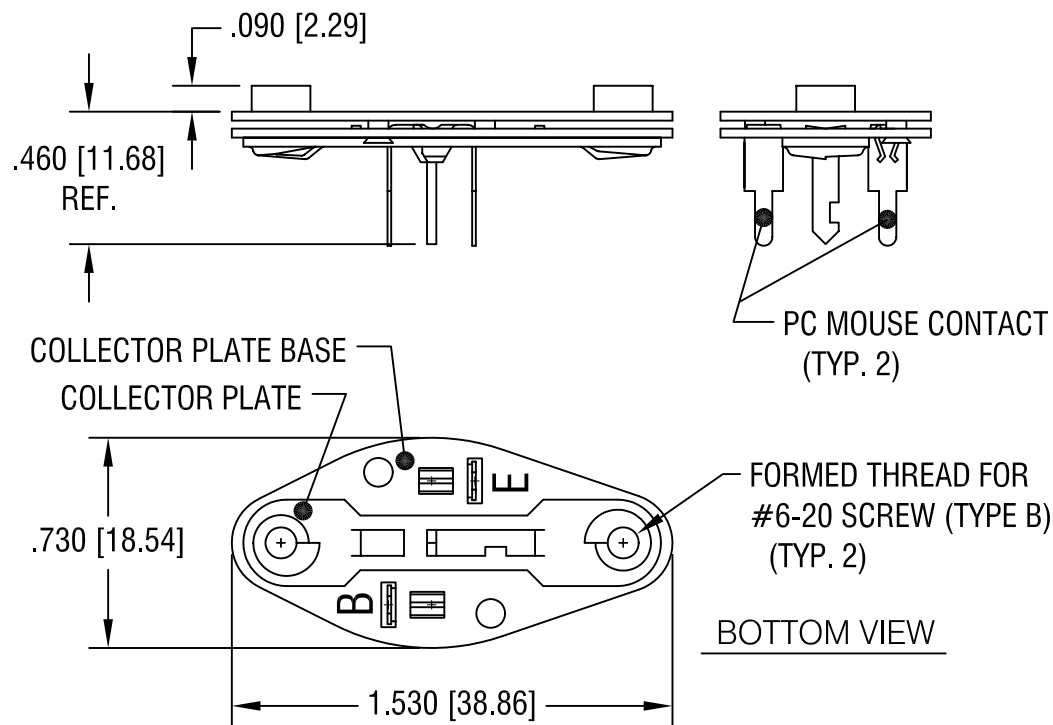
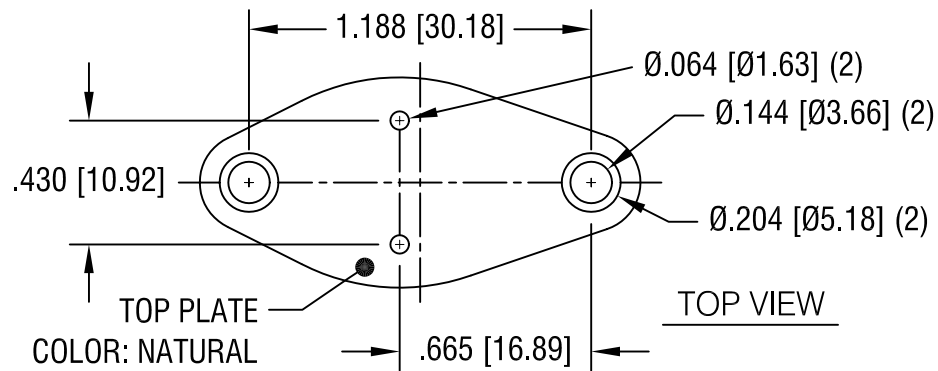
Tel: +86-755-8981 8866 Fax: +86-755-8427 6832

Email & Skype: info@chipsmall.com Web: www.chipsmall.com

Address: A1208, Overseas Decoration Building, #122 Zhenhua RD., Futian, Shenzhen, China



DATE	DESCRIPTION	REV.
10.1.03	CHANGE AS PER ECN 03-071	A



NOTES:

1. TOP PLATE: COLOR - NATURAL
 MAT'L - NYLON 6/6 UL 94V-2
 COLLECTOR PLATE BASE:
 MAT'L - .032 [0.81] TH'K PHENOLIC

COLLECTOR PLATE:
 MAT'L - .032 [0.81] TH'K STEEL
 FINISH - TIN PLATE
 PC MOUSE CONTACT:
 MAT'L - .013 [0.33] TH'K BRASS
 FINISH - TIN PLATE

THIS DOCUMENT IS THE PROPERTY OF
 KEYSTONE ELECTRONICS CORP. AND
 SHALL NOT BE REPRODUCED, DISTRIBUTED
 OR USED AS A BASIS FOR MANUFACTURE
 WITHOUT PRIOR WRITTEN PERMISSION
 FROM KEYSTONE ELECTRONICS CORP.

KEYSTONE ELECTRONICS CORP.			
ASTORIA, N.Y. 11105-2017			
PART NAME TO-3 POWER TRANSISTOR SOCKET			
MATERIAL AS NOTED			
FINISH AS NOTED	DRN BY BOONE	DATE 3.18.91	
	APPD LN	SCALE 1.5X	
TOLERANCES INCH [MM] DECIMAL ± .005 [± 0.15] ANGULAR ± 1° UNLESS OTHERWISE SPECIFIED	CODE C	DWG NO. 4600	