



Chipsmall Limited consists of a professional team with an average of over 10 year of expertise in the distribution of electronic components. Based in Hongkong, we have already established firm and mutual-benefit business relationships with customers from,Europe,America and south Asia,supplying obsolete and hard-to-find components to meet their specific needs.

With the principle of “Quality Parts,Customers Priority,Honest Operation,and Considerate Service”,our business mainly focus on the distribution of electronic components. Line cards we deal with include Microchip,ALPS,ROHM,Xilinx,Pulse,ON,Everlight and Freescale. Main products comprise IC,Modules,Potentiometer,IC Socket,Relay,Connector.Our parts cover such applications as commercial,industrial, and automotives areas.

We are looking forward to setting up business relationship with you and hope to provide you with the best service and solution. Let us make a better world for our industry!



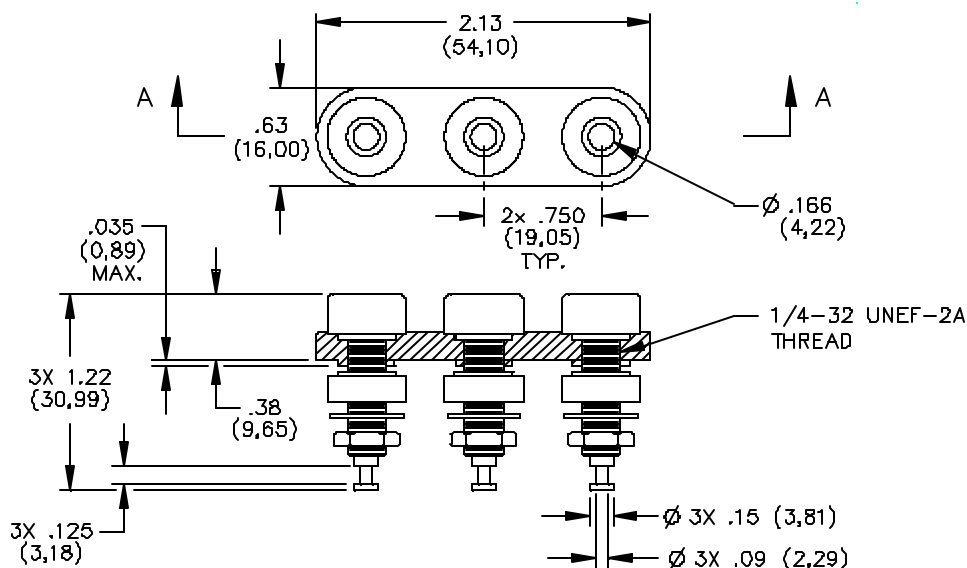
Contact us

Tel: +86-755-8981 8866 Fax: +86-755-8427 6832

Email & Skype: info@chipsmall.com Web: www.chipsmall.com

Address: A1208, Overseas Decoration Building, #122 Zhenhua RD., Futian, Shenzhen, China





SECTION A-A

FEATURES:

- Closed entry receptacle, 4.2 (.166) dia. x 23.4 (.920) deep.
- Mounts in panels from 1.6 (.063) to 9.5 (.375) thick.
- Nickel plated lock washer and 1/4-32 hex nut.
- Mates to Model #2970.
- Ideal for connection to power supplies with positive, negative and return connections.

MATERIALS:

Banana jack insulation: Polycarbonate molded to banana jack bodies.

Color: One Red, one Black, and one Green.

Mounting Plate: Polycarbonate.

Color: See ordering instructions.

Insulator: Polycarbonate. Color matches color of banana jack insulation.

Lockwasher 1/4 Int tooth:

Material: Steel.

Finish: Nickel plated per QQ-N-290

Hex nut 1/4-32:

Material: Brass.

Finish: Nickel plated per QQ-N-290.

Banana jack body/solder turret:

Material: Brass, per QQ-B-626, Alloy 360,
1/2 Hard.

Finish: Bright tin plated per MIL-T-10727.

RATINGS: (Entire assembly)

Operating Temperature: +115°C. (+239°F.) Max.

Voltage: Hand-held testing: 30VAC/60VDC Max.

Hands free testing in controlled voltage
environments: 2500 WVDC Max.

Current: 15 Amperes

ORDERING INFORMATION: Model 4601-*

*=Color, -0 Black, -2 Red

Ordering Example: 4601-2 Color is Red.

All dimensions are in inches. Tolerances (except noted): .xx = ±.02" (.51 mm), .xxx = ±.005" (.127 mm).

All specifications are to the latest revisions. Specifications are subject to change without notice.

Registered trademarks are the property of their respective companies. Made in USA