



Chipsmall Limited consists of a professional team with an average of over 10 year of expertise in the distribution of electronic components. Based in Hongkong, we have already established firm and mutual-benefit business relationships with customers from,Europe,America and south Asia,supplying obsolete and hard-to-find components to meet their specific needs.

With the principle of “Quality Parts,Customers Priority,Honest Operation,and Considerate Service”,our business mainly focus on the distribution of electronic components. Line cards we deal with include Microchip,ALPS,ROHM,Xilinx,Pulse,ON,Everlight and Freescale. Main products comprise IC,Modules,Potentiometer,IC Socket,Relay,Connector.Our parts cover such applications as commercial,industrial, and automotives areas.

We are looking forward to setting up business relationship with you and hope to provide you with the best service and solution. Let us make a better world for our industry!



Contact us

Tel: +86-755-8981 8866 Fax: +86-755-8427 6832

Email & Skype: info@chipsmall.com Web: www.chipsmall.com

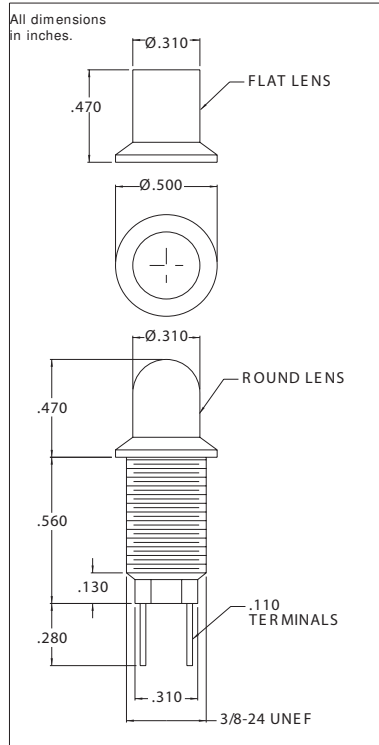
Address: A1208, Overseas Decoration Building, #122 Zhenhua RD., Futian, Shenzhen, China





4611 Series Relampable Indicator Light

DESCRIPTION AND FEATURES



Ordering Information:

For use with T-1 3/4 wedge-based lamps, complete assembly consists of socket (4611) lamp and lens (see chart below). Items supplied unassembled. Lamp lens and socket must be ordered separately.

Mounting: Model 4611 (threaded) supplied with zinc finished hex nut and internal tooth lock washer.
 Mounting hole pattern on page SP2.

Lens: Polycarbonate, twist-on, positively held

Bezel: Polished stainless steel.

Socket: Black Nylon

Lens Color Table		
Color	Round Lens No.	Flat Lens No.
Red	4621	4631
Clear	4622	4632
Amber	4623	4633
White	4624	4634
Green	4625	4635
Blue	4626	4636
Yellow	4627	4637