



Chipsmall Limited consists of a professional team with an average of over 10 year of expertise in the distribution of electronic components. Based in Hongkong, we have already established firm and mutual-benefit business relationships with customers from,Europe,America and south Asia,supplying obsolete and hard-to-find components to meet their specific needs.

With the principle of “Quality Parts,Customers Priority,Honest Operation,and Considerate Service”,our business mainly focus on the distribution of electronic components. Line cards we deal with include Microchip,ALPS,ROHM,Xilinx,Pulse,ON,Everlight and Freescale. Main products comprise IC,Modules,Potentiometer,IC Socket,Relay,Connector.Our parts cover such applications as commercial,industrial, and automotives areas.

We are looking forward to setting up business relationship with you and hope to provide you with the best service and solution. Let us make a better world for our industry!



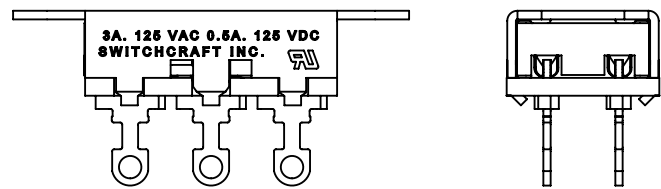
Contact us

Tel: +86-755-8981 8866 Fax: +86-755-8427 6832

Email & Skype: info@chipsmall.com Web: www.chipsmall.com

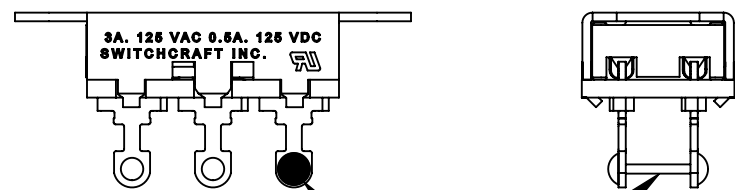
Address: A1208, Overseas Decoration Building, #122 Zhenhua RD., Futian, Shenzhen, China





SCHEMATIC
DOUBLE POLE DOUBLE THROW

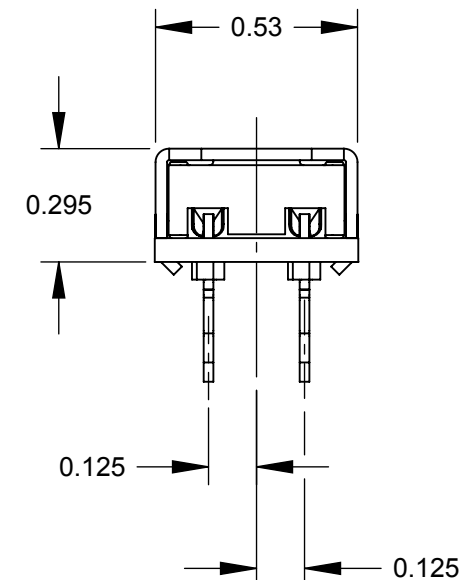
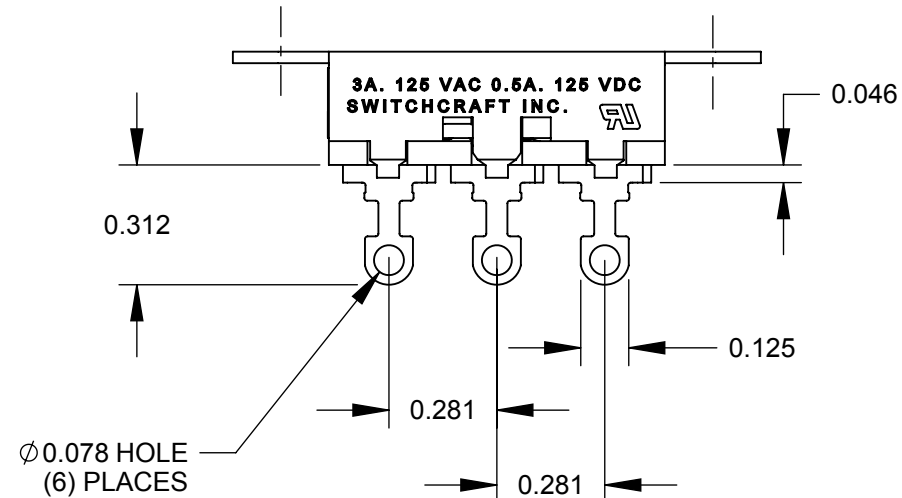
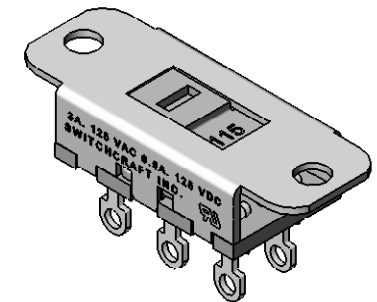
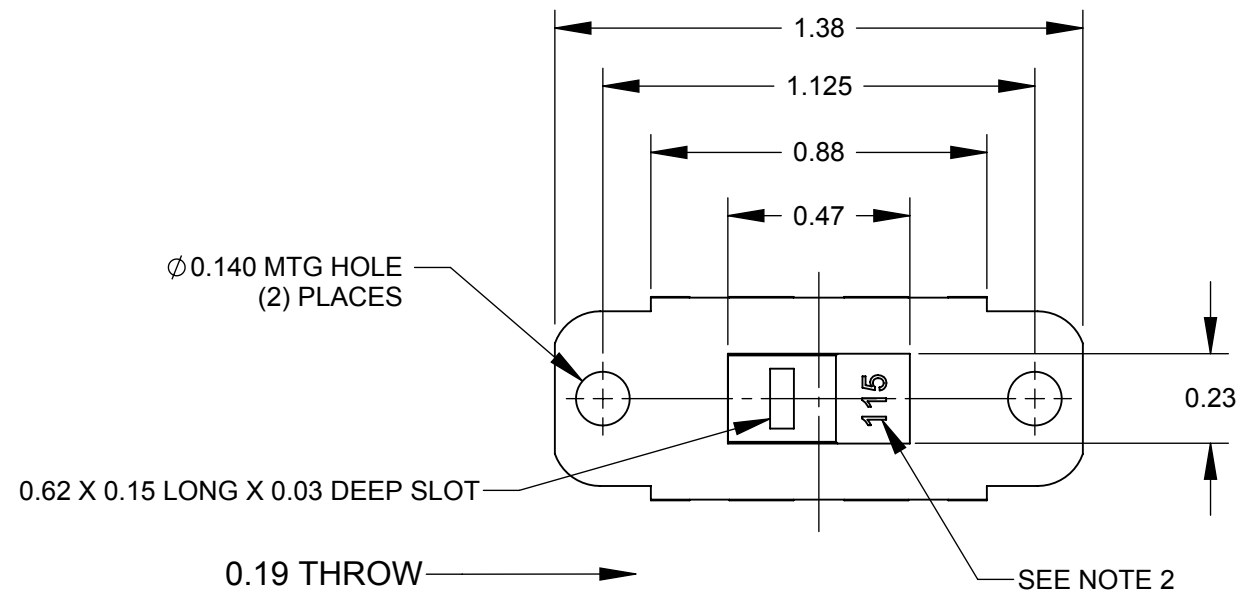
46206LFRX



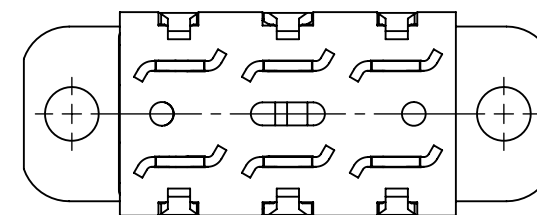
JUMPER

SCHEMATIC
DOUBLE POLE DOUBLE THROW
WITH JUMPER

46256LFRX



**46206LFRX
SHOWN**



CUSTOMER DRAWING

NOTES:

1. ALL DIMENSIONS REFERENCE UNLESS OTHERWISE SPECIFIED.
2. NUMBERS HOT STAMPED IN WHITE. 230 VISIBLE IN OTHER DIRECTION
3. MATERIALS:
HOUSING - STEEL, ZINC PLATED
BUTTON - THERMOPLASTIC, BLACK
TERMINALS & CONTACT SLIDER - BRASS, SILVER PLATED
TERMINAL BOARD - PHENOLIC
4. SWITCH RATING:
3 AMP, 125 V.A.C., 0.5 AMP, 125 V.D.C.
5. THIS PRODUCT IS RoHS COMPLIANT.

					THIS DRAWING DESCRIBES A DESIGN CONSIDERED PROPRIETARY IN NATURE, DEVELOPED AND MANUFACTURED BY SWITCHCRAFT INC. AND IS RELEASED ON A CONFIDENTIAL BASIS FOR IDENTIFICATION PURPOSES ONLY.						
					UNLESS OTHERWISE SPECIFIED	SIZE	WIDTH	MULT	LBS/M	TEMPER	
					1. ALL DIMENSIONS IN INCHES	FINISH				MATERIAL	
					- TWO PLACE DECIMALS ±0.02	SPEC No.				SPEC No.	
					- THREE PLACE DECIMALS ±0.005	FIRST USED ON		SCALE		Switchcraft®	
						2:1					
A	26008	8/5/06	RS	TJK	DATE DRAWN	BY	CHKD	APVD	SHEET 1 OF 1		
REV	ECO NUMBER	DATE	BY	APVD	2/19/09	RS	RS	TJK	PART No.		
REVISIONS					DO NOT SCALE DRAWING					46200LFRX SERIES	
					NAME 115 - 230 POWER SELECTION SLIDE SWITCH, RoHS					REV	A

SolidWorks CAD File **B**