



Chipsmall Limited consists of a professional team with an average of over 10 year of expertise in the distribution of electronic components. Based in Hongkong, we have already established firm and mutual-benefit business relationships with customers from,Europe,America and south Asia,supplying obsolete and hard-to-find components to meet their specific needs.

With the principle of “Quality Parts,Customers Priority,Honest Operation,and Considerate Service”,our business mainly focus on the distribution of electronic components. Line cards we deal with include Microchip,ALPS,ROHM,Xilinx,Pulse,ON,Everlight and Freescale. Main products comprise IC,Modules,Potentiometer,IC Socket,Relay,Connector.Our parts cover such applications as commercial,industrial, and automotives areas.

We are looking forward to setting up business relationship with you and hope to provide you with the best service and solution. Let us make a better world for our industry!



Contact us

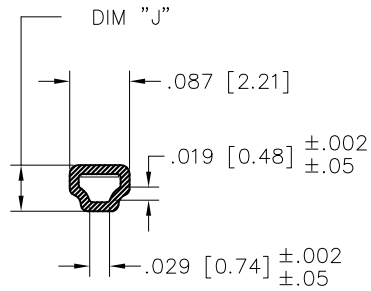
Tel: +86-755-8981 8866 Fax: +86-755-8427 6832

Email & Skype: info@chipsmall.com Web: www.chipsmall.com

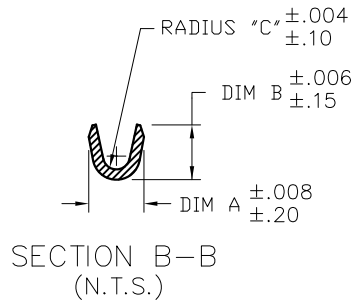
Address: A1208, Overseas Decoration Building, #122 Zhenhua RD., Futian, Shenzhen, China



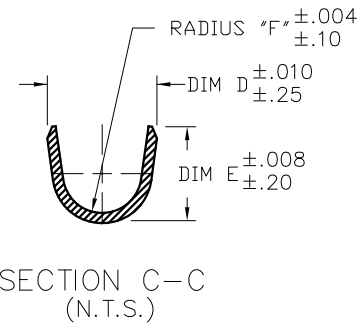
PRODUCT NUMBER
SEE TABLE



SECTION A-A

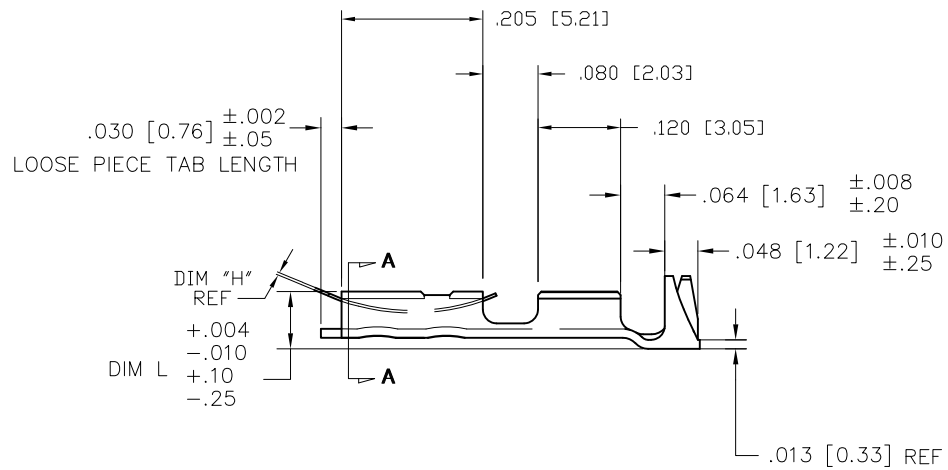
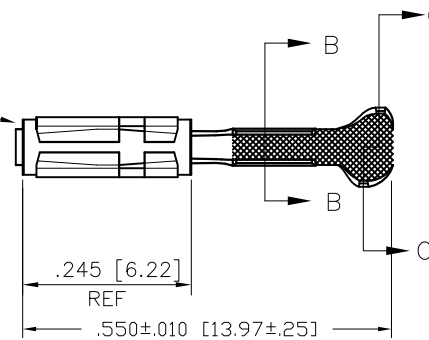


SECTION B-B
(N.T.S.)



SECTION C-C
(N.T.S.)

SIDES OF SPRING MAY NOT
EXTEND BEYOND SIDE OF
TERMINAL MORE THAN .004/.10



mat'l. code				surface	tolerance	projection	product family
SEE TABLE							PV TERMINALS
ltr	ecn no	dr	date	tolerances unless otherwise specified		INCH/MM	title
AA	v08-0113	HTB	2008-03-28	angles	.XX±.01/.X±.3		MAXI PV™ RECEPTACLE CRIMP TO WIRE
AB	v08-0510	HTB	2008-12-02	linear	.XXX±.005/.XX±.13		
AC	v11-0038	HTB	2011-10-11		.XXXX±.0020/.XXX±.051		
				dr	T. BREWBAKER	2006-04-18	sheet 1 of 3
W	v06-0218	HTB	2006-03-07	engr	T. BREWBAKER	2006-04-18	size
X	v06-0303	HTB	2006-04-18	chr	T. BREWBAKER	2006-04-18	A3
Y	v07-0218	HTB	2007-03-16	appd	T. BREWBAKER	2006-04-18	
sheet	revision	AC	AC	AC			
index	sheet	1	2	3			



dwg no 46220

type Product Customer Drawing

PRODUCT NUMBER		AWG RANGE	MATERIAL AND PLATING		SPRING THICKNESS		BODY			
REELED	LOOSE PC.		BODY :	SPRING :	DIM H		DIM J		DIM L	
					ENGLISH	METRIC	ENGLISH	METRIC	ENGLISH	METRIC
46220-000	46224-000									
46230-000	46234-000									
46240-000	46244-000									
46221-000LF	46225-000LF	18-20	40μ"/1.02μm MIN GOLD OVER		0.0058	0.147	0.067	1.70	0.083	2.11
46231-000LF	46235-000LF	22-26	50μ"/1.27μm MIN NICKLE IN	GOLD FLASH	0.0058	0.147	0.067	1.70	0.083	2.11
46241-000	46245-000	28-32	OBS. CONTACT AREA (NOTE 4)		OBSOLETE					
46222-000LF	47418-000LF									
46232-000LF	47419-000LF									
46242-000	47420-000									
46223-000LF	47387-000LF									
46233-000LF	47384-000LF									
46243-000	47403-000									
46226-000LF	46227-000LF	18-20	40μ"/1.02μm MIN GOLD OVER		0.0048	0.122	0.067	1.70	0.083	2.11
46236-000LF	46237-000LF	22-26	50μ"/1.27μm MIN NICKLE IN	GOLD FLASH	0.0048	0.122	0.067	1.70	0.083	2.11
46246-000	46247-000	28-32	OBS. CONTACT AREA (NOTE 4)		OBSOLETE					
46228-000	46229-000									
46238-000	46239-000									
46248-000	46249-000									
46580-000	46581-000									
46590-000	46591-000									
46600-000	46601-000									
47388-000	47391-000									
47389-000	47392-000									
47390-000	47393-000									
47612-000										
47613-000										
47614-000										
47621-000										
47622-000										
47653-000										
47733-000										
47734-000										
47735-000										
47736-000	46582-000									
47737-000	46592-000									
47738-000	46602-000									
48188-000	48189-000									

OBSOLETE

OBSOLETE

OBSOLETE

OBSOLETE

SEE SHEET 3 FOR PRODUCTS WITH LEAD-FREE TIN PLATING.



FCJconnect.com

Copyright FCJ

mat'l. code SEE TABLE				surface ✓	tolerance	projection ⊕	product family PV TERMINALS
ltr	ecn no	dr	date	tolerances unless otherwise specified		INCH/MM	title
AC				angles	.XX±.01/.X±.3	scale 1:1	MAXI PV™ RECEPTACLE CRIMP TO WIRE
				linear	.XXX±.005/.XX±.13		
					.XXXX±.0020/.XXX±.051		
				dr	T. BREWBAKER 2006-04-18	FCJ	dwg no 46220
				engr	T. BREWBAKER 2006-04-18		sheet 2 of 3
				chr	T. BREWBAKER 2006-04-18		size A3
				appd	T. BREWBAKER 2006-04-18		type Product Customer Drawing
sheet	revision						
index	sheet						

PRODUCT NUMBER		AWG RANGE	MATERIAL AND PLATING		SPRING THICKNESS		BODY					
REELED	LOOSE PC.		BODY : 1/4 HD BRASS		SPRING : BE-CU HEAT TREATED		DIM H		DIM J		DIM L	
46580-000LF	46581-000LF					ENGLISH	METRIC	ENGLISH	METRIC	ENGLISH	METRIC	
46590-000LF	46591-000LF	OBSOLETE										
46600-000LF	46601-000LF	OBSOLETE										
47388-000LF	47391-000LF	18-20	HOT DIPPED TIN (NOTE 7)		TIN PLATED		0.0058	0.147	0.067	1.70	0.083	2.11
47389-000LF	47392-000LF	22-26					0.0058	0.147	0.067	1.70	0.083	2.11
47390-000LF	47393-000LF	28-32					0.0058	0.147	0.067	1.70	0.083	2.11
47736-000LF	46582-000LF	18-20	HOT DIPPED TIN (NOTE 7)		TIN PLATED		0.0048	0.122	0.067	1.70	0.083	2.11
47737-000LF	46592-000LF	22-26					0.0048	0.122	0.067	1.70	0.083	2.11
47738-000LF	46602-000LF	28-32					0.0048	0.122	0.067	1.70	0.083	2.11

AWG RANGE	WIRE BARREL						INSULATION BARREL									
	DIM A		DIM B		DIM C		INSULATION DIA. RANGE FOR DISCRETE TERMINALS		INSULATION DIA. RANGE WHEN USED WITH MAXI LATCH HSG.		DIM D		DIM E		DIM F	
	ENGLISH	METRIC	ENGLISH	METRIC	ENGLISH	METRIC	ENGLISH	METRIC	ENGLISH	METRIC	ENGLISH	METRIC	ENGLISH	METRIC	ENGLISH	METRIC
18-20	0.110	2.79	0.110	2.79	0.021	0.53	0.042 - 0.103	1.07 - 2.62	0.042 - 0.060	1.07 - 1.52	0.139	3.53	0.123	3.12	0.050	1.27
22-26	0.070	1.78	0.070	1.78	0.017	0.43	0.036 - 0.103	0.91 - 2.62	0.036 - 0.060	0.91 - 1.52	0.139	3.53	0.123	3.12	0.050	1.27
28-30	0.054	1.37	0.058	1.47	0.011	0.28	0.028 - 0.054	0.71 - 1.37	0.028 - 0.054	0.71 - 1.37	0.115	2.92	0.110	2.79	0.040	1.02

NOTES:

- FOR DIMENSIONS OF WIRE BARREL AND INSULATION BARREL SEE TABLE.
- PART TO MATE WITH $.025 \pm .002$ [0.64 ± 0.05] SQ. PIN.
- APPLICABLE SPECIFICATIONS:
 - BUS-12-096 : PRODUCT SPECIFICATION
 - TA-213 : CRIMP SPECIFICATION FOR TERMINALS USED WITH MAXI-LATCH HOUSINGS.
 - TA-356 : CRIMP SPECIFICATION FOR CONTACTS NOT USED IN HOUSINGS.
- FINISH TO BE AS SPECIFIED IN CONTACT AREA. REMAINDER OF TOP OF PART TO BE GOLD FLASH OVER 50μ "/1.27 μ m NICKEL. BACKSIDE OF TERMINALS PLATED WITH 30μ "/0.76 μ m NICKEL ONLY.
- PRODUCT MEETS EUROPEAN UNION DIRECTIVES AND OTHER COUNTRY REGULATIONS AS DESCRIBED IN GS-22-008.
- THIS PRODUCT IS NOT INTENDED TO BE EXPOSED TO MANUFACTURING SOLDER PROCESSES.
- THIS PRODUCT HAS 100% TIN PLATING IN THE INTERFACE AND HAS NOT BEEN TESTED FOR WHISKER GROWTH IN ALL INTERCONNECT ENVIRONMENTS.

mat'l. code SEE TABLE				surface <input checked="" type="checkbox"/>	tolerance	projection	product family PV TERMINALS
ltr	ecn no	dr	date	tolerances unless otherwise specified			title
AC				angles	linear	INCH/MM	MAXI PV™ RECEPTACLE CRIMP TO WIRE
						scale 1:1	
				dr	T. BREWBAKER	2006-04-18	sheet 3 of 3
				engr	T. BREWBAKER	2006-04-18	size
				chr	T. BREWBAKER	2006-04-18	A3
				appd	T. BREWBAKER	2006-04-18	type
sheet index	revision	sheet					Product Customer Drawing