

Chipsmall Limited consists of a professional team with an average of over 10 year of expertise in the distribution of electronic components. Based in Hongkong, we have already established firm and mutual-benefit business relationships with customers from,Europe,America and south Asia,supplying obsolete and hard-to-find components to meet their specific needs.

With the principle of “Quality Parts,Customers Priority,Honest Operation,and Considerate Service”,our business mainly focus on the distribution of electronic components. Line cards we deal with include Microchip,ALPS,ROHM,Xilinx,Pulse,ON,Everlight and Freescale. Main products comprise IC,Modules,Potentiometer,IC Socket,Relay,Connector.Our parts cover such applications as commercial,industrial, and automotives areas.

We are looking forward to setting up business relationship with you and hope to provide you with the best service and solution. Let us make a better world for our industry!

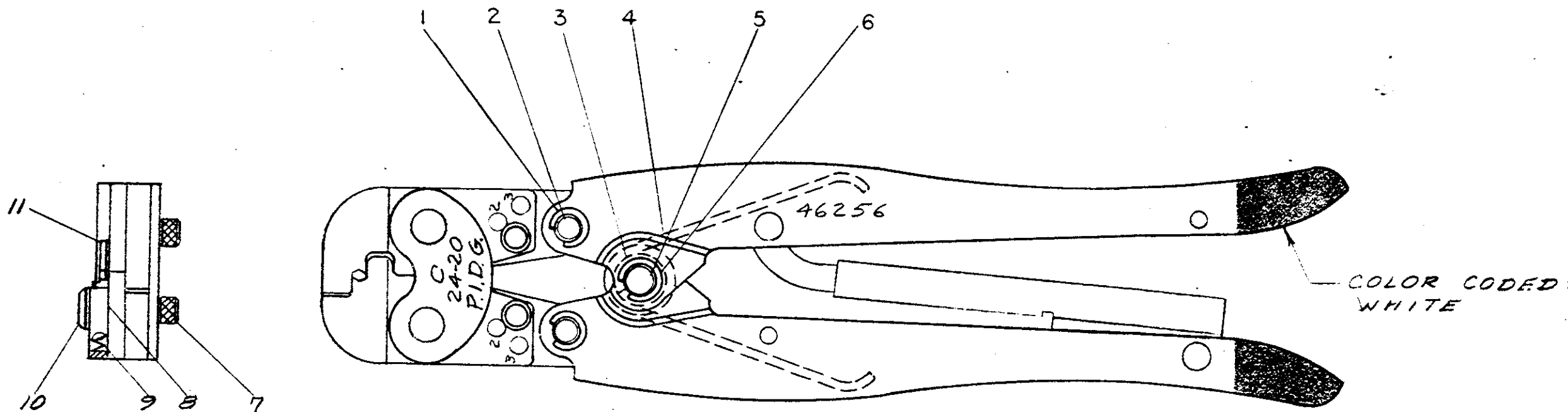


Contact us

Tel: +86-755-8981 8866 Fax: +86-755-8427 6832

Email & Skype: info@chipsmall.com Web: www.chipsmall.com

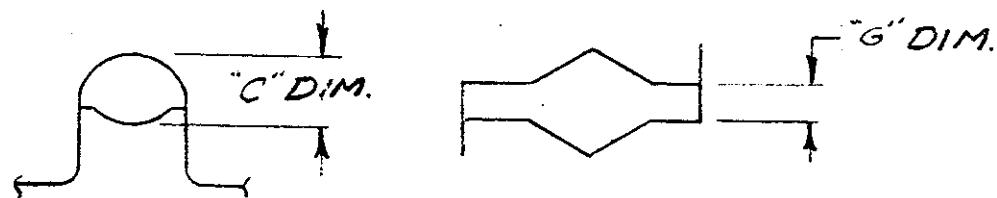
Address: A1208, Overseas Decoration Building, #122 Zhenhua RD., Futian, Shenzhen, China



SUPERSEDED BY I.S. 2177

GAGE DIMENSIONS APPLY WHEN TOOL IS BOTTOMED BUT NOT UNDER PRESSURE.

FOR REPLACEMENT OF PARTS OTHER THAN LISTED, TOOL SHOULD BE RETURNED TO OUR FACTORY TO INSURE PROPER CERTI-CRIMP ADJUSTMENT.



QTY	UNIT	NUMBER	NAME	REMARKS	FIG. NO.
1	A	303542	STOP-LOCATOR		11
1	A	9-3007201	SCREW		10
1	A	301201	SPRING		9
1	A	302994	STOP-HOUSING		8
2	A	39207	PIN-ADJUSTMENT		7
2	A	21045-6	RING-RETAINING		6
1	A	300449	PIN-RETAINING		5
1	A	39364	SPRING		4
1	A	39366	COLLAR		3
2	A	300432	PIN-RETAINING		2
4	A	21045-3	RING-RETAINING		1

GAGE DIM.			
"C" DIM.		"G" DIM.	
GO	NO GO	GO	NO GO
.059	.065	.035	.055

REV.	DESCRIPTION	DATE	BY	CHK.	APP.
G	SUPERSEDED BY I.S. 2177	11/77	E.W.		
F	REVISED		F.E.		
E	REVISED		C.M.		
D	REVISED		C.M.		
C	REVISED		R.Y.		
B	REVISED		R.Y.		

46256	REQUIRED PER ASSEMBLY	QTY	UNIT	NUMBER	NAME	REMARKS
	© 1960 AMP INCORPORATED ALL RIGHTS RESERVED AMP PRODUCTS COVERED BY PATENTS AND PATENT PENDING					
	CHECKED BY: <i>C. J. ...</i> DATE: 4-29-62		MATERIAL ALL IN IN		CUSTOMER COPY REFERENCE ONLY	
	APPROVED BY: <i>E. J. ...</i>		PRE INSULATED DIAMOND GRIP		1-1 M B 46256 G	
HAND TOOL ASSEMBLY						

DIMENSIONS IN INCHES DO NOT SCALE PRINT