



Chipsmall Limited consists of a professional team with an average of over 10 year of expertise in the distribution of electronic components. Based in Hongkong, we have already established firm and mutual-benefit business relationships with customers from,Europe,America and south Asia,supplying obsolete and hard-to-find components to meet their specific needs.

With the principle of “Quality Parts,Customers Priority,Honest Operation,and Considerate Service”,our business mainly focus on the distribution of electronic components. Line cards we deal with include Microchip,ALPS,ROHM,Xilinx,Pulse,ON,Everlight and Freescale. Main products comprise IC,Modules,Potentiometer,IC Socket,Relay,Connector.Our parts cover such applications as commercial,industrial, and automotives areas.

We are looking forward to setting up business relationship with you and hope to provide you with the best service and solution. Let us make a better world for our industry!



## Contact us

Tel: +86-755-8981 8866 Fax: +86-755-8427 6832

Email & Skype: info@chipsmall.com Web: www.chipsmall.com

Address: A1208, Overseas Decoration Building, #122 Zhenhua RD., Futian, Shenzhen, China

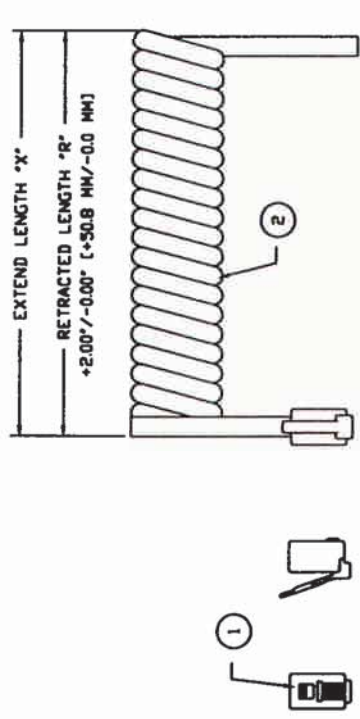
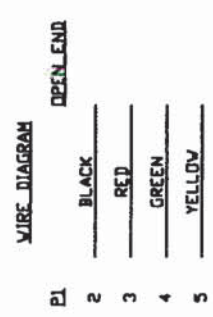




A B C D E F G H

THESE DRAWINGS AND SPECIFICATIONS ARE THE SOLE PROPERTY OF I/O INTERCONNECT INC. U.S.A. AND SHALL NOT BE REPRODUCED, COPIED, OR USED IN ANY MANNER WITHOUT THE PRIOR WRITTEN CONSENT OF I/O INTERCONNECT INC. OR ITS AFFILIATED SUBSIDIARIES.

DWG. NO.	ZONE	REV.	DESCRIPTION	DATE	APPROVED
XX4-52X-D		X1	CUSTOMER APPROVAL	03/26/99	E.V.
		X2	ADD RETRACTED LENGTH	03/29/99	E.V.



OPEN END

PL



CUSTOMER APPROVAL  
 ENGR. SIGN *Matt Jensen*  
 DATE: 4-13-99

NOTES: UNLESS OTHERWISE SPECIFIED.

1. TEST CABLE FOR ALL OPENS & SHORTS.
2. PACKAGE CABLE ASSEMBLY INDIVIDUALLY IN PLASTIC BAG. PACKAGE INDIVIDUAL BAG PER LOT NUMBER QUANTITIES.

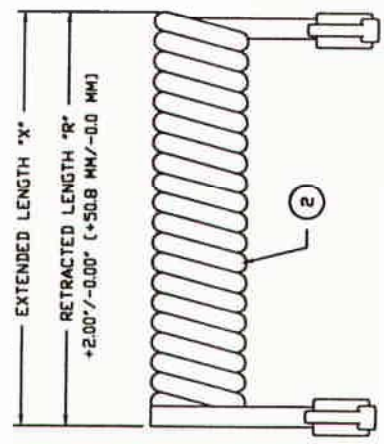
464-144-525-D	121-410-022	14.0 FT (4.3 M)	34.0 IN (863.6 MM)	WHITE
464-144-524-D	121-410-012	14.0 FT (4.3 M)	34.0 IN (863.6 MM)	BLACK
464-144-523-D	121-410-002	14.0 FT (4.3 M)	34.0 IN (863.6 MM)	SILVER SATIN
464-104-522-D	121-410-021	10.0 FT (3.0 M)	30.0 IN (762.0 MM)	WHITE
464-104-521-D	121-410-011	10.0 FT (3.0 M)	30.0 IN (762.0 MM)	BLACK
464-104-520-D	121-410-001	10.0 FT (3.0 M)	30.0 IN (762.0 MM)	SILVER SATIN
464-074-525-D	121-410-020	7.0 FT (2.1 M)	21.0 IN (533.4 MM)	WHITE
464-074-524-D	121-410-010	7.0 FT (2.1 M)	21.0 IN (533.4 MM)	BLACK
464-074-523-D	121-410-000	7.0 FT (2.1 M)	21.0 IN (533.4 MM)	SILVER SATIN
464-054-525-D	121-410-023	5.0 FT (1.5 M)	17.0 IN (431.8 MM)	WHITE
464-054-521-D	121-410-013	5.0 FT (1.5 M)	17.0 IN (431.8 MM)	BLACK
464-054-520-D	121-410-003	5.0 FT (1.5 M)	17.0 IN (431.8 MM)	SILVER SATIN
IOI PART NUMBER	IOI CABLE PART NUMBER	EXTENDED LENGTH "X"	RETRACTED LENGTH "R"	COLOR

TABULATION BLOCK

THIRD ANGLE PROJECTION					
UNLESS OTHERWISE NOTED, DIMENSIONS ARE IN INCHES (MILLIMETER) TOLERANCES: .XXX ± 0.25 (6.35)					
2	"X" FT	IOI	SEE "TABULATION BLOCK"	MODULAR COIL CABLE, 26 AVG (7/34) BARE COPPER, 4 CONDUCTOR, UNSHIELDED, PVC JACKET, (SEE TABULATION BLOCK FOR COLOR).	
1	1 PC	IOI	325-641-50X	CONNECTOR, MODULAR PLUG, 6 POSITION, 4 CONDUCTOR, 50" AWG, FLAT TYPE EXIT.	
ITEM	QTY	MFG.	IOI PART NO.	DESCRIPTION	
CABLE ASSEMBLY PARTS LIST					
I/O INTERCONNECT		SANTA ANA, CALIFORNIA		TITLE: 6P4C COIL CABLE TO OPEN END, CABLE ASSEMBLY PART NO: 464-XX4-52X-D DWG NO: 464-XX4-52X-D CUSTOMER: DIGI KEY REV: X2 SCALE: NONE SHEET 1 OF 1	

A B C D E F G H

THESE DRAWINGS AND SPECIFICATIONS ARE THE SOLE PROPERTY OF I/O INTERCONNECT INC. U.S.A. AND SHALL NOT BE REPRODUCED, COPIED, OR USED IN ANY MANNER WITHOUT THE PRIOR WRITTEN CONSENT OF I/O INTERCONNECT INC. OR ITS AFFILIATED SUBSIDIARIES.

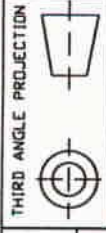


464-144-515-D	121-410-022	14.0 FT (4.3 M)	34.0 IN (863.6 MM)	WHITE
464-144-514-D	121-410-012	14.0 FT (4.3 M)	34.0 IN (863.6 MM)	BLACK
464-144-513-D	121-410-002	14.0 FT (4.3 M)	34.0 IN (863.6 MM)	SILVER SATIN
464-104-512-D	121-410-021	10.0 FT (3.0 M)	30.0 IN (762.0 MM)	WHITE
464-104-511-D	121-410-011	10.0 FT (3.0 M)	30.0 IN (762.0 MM)	BLACK
464-104-510-D	121-410-001	10.0 FT (3.0 M)	30.0 IN (762.0 MM)	SILVER SATIN
464-074-515-D	121-410-020	7.0 FT (2.1 M)	21.0 IN (533.4 MM)	WHITE
464-074-514-D	121-410-010	7.0 FT (2.1 M)	21.0 IN (533.4 MM)	BLACK
464-074-513-D	121-410-000	7.0 FT (2.1 M)	21.0 IN (533.4 MM)	SILVER SATIN
464-054-512-D	121-410-023	5.0 FT (1.5 M)	17.0 IN (431.8 MM)	WHITE
464-054-511-D	121-410-013	5.0 FT (1.5 M)	17.0 IN (431.8 MM)	BLACK
464-054-510-D	121-410-003	5.0 FT (1.5 M)	17.0 IN (431.8 MM)	SILVER SATIN
IOI PART NUMBER	IOI CABLE PART NUMBER	EXTENDED LENGTH "X"	RETRACTED LENGTH "R"	COLOR

CUSTOMER APPROVAL  
 ENGR. SIGN *Matt J. Lerner*  
 DATE: 4-13-99

- NOTES: UNLESS OTHERWISE SPECIFIED.
- TEST CABLE FOR ALL OPENS & SHORTS.
  - PACKAGE CABLE ASSEMBLY INDIVIDUALLY IN PLASTIC BAG. PACKAGE INDIVIDUAL BAG PER LOT NUMBER QUANTITIES.

TABULATION BLOCK



THIRD ANGLE PROJECTION

UNLESS OTHERWISE NOTED:  
 1) DIMENSIONS ARE IN INCHES (MILLIMETER)  
 2) TOLERANCES:  
 X.XX ± 0.25 (6.35)



SANTA ANA, CALIFORNIA

ITEM	QTY	MFG.	IOI PART NO.	DESCRIPTION	SCALE	NONE	SHEET	1	OF	1
2	*X	FT	IOI	SEE 'TABULATION BLOCK'	MODULAR COIL CABLE, 26 AWG (7/34) BARE COPPER, 4 CONDUCTOR, UNSHIELDED, PVC JACKET, (SEE TABULATION BLOCK FOR COLOR).					
1	2	PCS	IOI	325-641-50X	CONNECTOR, MODULAR PLUG, 6 POSITION, 4 CONDUCTOR, 50U" AU, FLAT TYPE EXIT.					
					CABLE ASSEMBLY PARTS LIST					

REV. X2	REV. X1	DATE 03/26/99	APPROVED E.V.
ADD RETRACTED LENGTH	CUSTOMER APPROVAL	DESCRIPTION	
ZONE	REV. X2	DATE 03/29/99	APPROVED E.V.
DWG. NO. XX4-SIX-D	REV. X1		

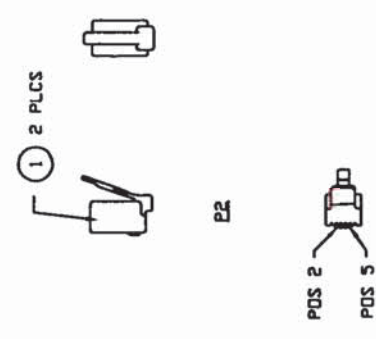
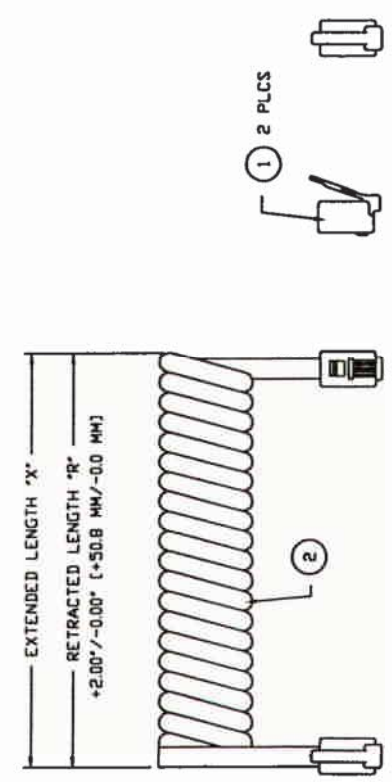
TITLE	6P4C/6P4C COIL CABLE.
STANDARD STYLE	STANDARD STYLE, CABLE ASSEMBLY
PART NO.	464-XX4-SIX-D
DWG NO.	464-XX4-SIX-D
CUSTOMER	
DIGI KEY	
SCALE	NONE
SHEET	1
OF	1



A B C D E F G H

THESE DIMENSIONS AND SPECIFICATIONS ARE THE SOLE PROPERTY OF I/O INTERCONNECT INC. U.S.A. AND SHALL NOT BE REPRODUCED, COPIED, OR USED IN ANY MANNER WITHOUT THE PRIOR WRITTEN CONSENT OF I/O INTERCONNECT INC. OR ITS AFFILIATED SUBSIDIARIES.

DWG. NO. XX4-50X-D	ZONE	REV. X1	DESCRIPTION CUSTOMER APPROVAL	DATE 03/25/99	APPROVED E.V.
		X2	ADD RETRACTED LENGTH	03/29/99	E.V.



CUSTOMER APPROVAL  
ENGR. SIGN Y. Math Danner  
DATE: 4-13-99

- NOTES: UNLESS OTHERWISE SPECIFIED.
1. TEST CABLE FOR ALL OPENS & SHORTS.
  2. PACKAGE CABLE ASSEMBLY INDIVIDUALLY IN PLASTIC BAG. PACKAGE INDIVIDUAL BAG PER LOT NUMBER QUANTITIES.

464-144-505-D	121-410-022	14.0 FT (4.3 M)	34.0 IN (863.6 MM)	WHITE
464-144-504-D	121-410-012	14.0 FT (4.3 M)	34.0 IN (863.6 MM)	BLACK
464-144-503-D	121-410-002	14.0 FT (4.3 M)	34.0 IN (863.6 MM)	SILVER SATIN
464-104-502-D	121-410-021	10.0 FT (3.0 M)	30.0 IN (762.0 MM)	WHITE
464-104-501-D	121-410-011	10.0 FT (3.0 M)	30.0 IN (762.0 MM)	BLACK
464-104-500-D	121-410-001	10.0 FT (3.0 M)	30.0 IN (762.0 MM)	SILVER SATIN
464-074-503-D	121-410-020	7.0 FT (2.1 M)	21.0 IN (533.4 MM)	WHITE
464-074-504-D	121-410-010	7.0 FT (2.1 M)	21.0 IN (533.4 MM)	BLACK
464-074-503-D	121-410-000	7.0 FT (2.1 M)	21.0 IN (533.4 MM)	SILVER SATIN
464-054-502-D	121-410-023	5.0 FT (1.5 M)	17.0 IN (431.8 MM)	WHITE
464-054-501-D	121-410-013	5.0 FT (1.5 M)	17.0 IN (431.8 MM)	BLACK
464-054-500-D	121-410-003	5.0 FT (1.5 M)	17.0 IN (431.8 MM)	SILVER SATIN
IDI PART NUMBER	IDI CABLE PART NUMBER	EXTENDED LENGTH "X"	RETRACTED LENGTH "R"	COLOR

TABULATION BLOCK

THIRD ANGLE PROJECTION

UNLESS OTHERWISE NOTED: 1) DIMENSIONS ARE IN INCHES (MILLIMETER) 2) TOLERANCES: .XXX ± .025 (6.35)

REV. X1 X2

SCALE: NONE SHEET 1 OF 1

I/O INTERCONNECT  
SANTA ANA, CALIFORNIA

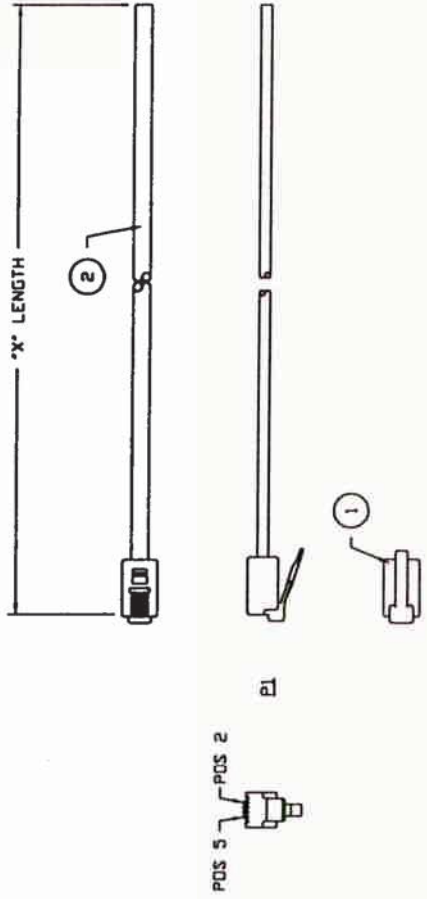
FILE: 6P4C/6P4C COIL CABLE.  
REVERSE STYLE, CABLE ASSEMBLY

PART NO. 464-XX4-50X-D  
DWG NO. 464-XX4-50X-D  
CUSTOMER 464-XX4-50X-D

ITEM	QTY	MFG.	IDI PART NO.	DESCRIPTION
2	2 PCS	SEE "TABULATION BLOCK"	325-641-50X	MODULAR COIL CABLE, 26 AWG (7/34) BARE COPPER, 4 CONDUCTOR, UNSHIELDED, PVC JACKET, (SEE TABULATION BLOCK FOR COLOR).
1	2 PCS	IDI	IDI	CONNECTOR, MODULAR PLUG, 6 POSITION, 4 CONDUCTOR, 50u" Au, FLAT TYPE EXIT.

CABLE ASSEMBLY PARTS LIST

A	B	C	D	E	F	G	H	
THESE DRAWINGS AND SPECIFICATIONS ARE THE SOLE PROPERTY OF I/O INTERCONNECT INC. U.S.A. AND SHALL NOT BE REPRODUCED, COPIED, OR USED IN ANY MANNER WITHOUT THE PRIOR WRITTEN CONSENT OF I/O INTERCONNECT INC. OR ITS AFFILIATED SUBSIDIARIES.		DWG. NO. XX4-522-D		ZONE 	REV. X1	DESCRIPTION CUSTOMER APPROVAL	DATE 03/24/99	APPROVED E.V.



WIRE DIAGRAM

P1	BLACK	OPEN END
2	RED	
3	GREEN	
4	YELLOW	

CUSTOMER APPROVAL  
 ENGR. SIGN Matt Lerner  
 DATE: 4-12-99

- NOTES: UNLESS OTHERWISE SPECIFIED.
- CABLE TO BE BUNDLED AND TWIST TIED.
  - TEST CABLE FOR ALL OPENS & SHORTS.
  - PACKAGE CABLE ASSEMBLY INDIVIDUALLY IN PLASTIC BAG. PACKAGE INDIVIDUAL BAG PER LOT NUMBER QUANTITIES.

H3641-25-ND  
 H3641-14-ND  
 H3641-07-ND

464-254-522-D	25.0 FT ± 4.0 IN 7.62 M ± 101.6 MM
464-144-522-D	14.0 FT ± 3.0 IN 4.27 M ± 76.2 MM
464-074-522-D	7.0 FT ± 2.0 IN 2.13 M ± 50.8 MM
PART NUMBER I/O INTERCONNECT	LENGTH *X*

THIRD ANGLE PROJECTION

UNLESS OTHERWISE NOTED  
 1) DIMENSIONS ARE IN INCHES (MILLIMETER)  
 2) TOLERANCES:  
 .XXX ± 0.25 (6.35)

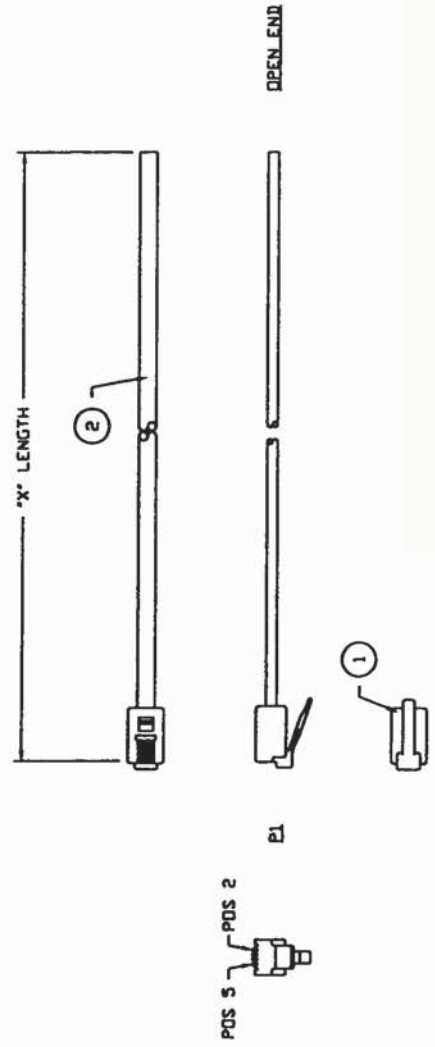
I/O INTERCONNECT SANTA ANA, CALIFORNIA	
PART NO. 464-XX4-522-D	REV. X1
DRAWING NO. 464-XX4-522-D	CUSTOMER DIGI KEY
SCALE NONE	SHEET 1 OF 1

ITEM	QTY	MFG.	IOI PART NO.	DESCRIPTION
2	*X*	IOI	120-410-020	MODULAR CABLE, 26 AVG (7/34) BARE COPPER, 4 CONDUCTOR, UNSHIELDED, WHITE PVC.
1	1 PC	IOI	325-641-50X	CONNECTOR, MODULAR PLUG, 6 POSITION, 4 CONDUCTOR, 50" AW, FLAT TYPE EXIT.

CABLE ASSEMBLY PARTS LIST

A	B	C	D	E	F	G	H
DWG. NO. XX4-521-D		ZONE REV. XI	DESCRIPTION CUSTOMER APPROVAL	DATE 03/24/99	APPROVED E.V.		

THESE DRAWINGS AND SPECIFICATIONS ARE THE SOLE PROPERTY OF I/O INTERCONNECT INC. NO PARTS OR INFORMATION HEREON ARE TO BE REPRODUCED OR USED IN ANY MANNER WITHOUT THE WRITTEN CONSENT OF I/O INTERCONNECT INC. OR ITS AFFILIATED SUBSIDIARIES.



WIRE DIAGRAM

2	BLACK	OPEN END
3	RED	
4	GREEN	
5	YELLOW	

CUSTOMER APPROVAL  
 ENGR. SIGN *Matt Armes*  
 DATE: 4-12-99

H3642-25-ND  
 H3642-14-ND  
 H3642-07-ND

- NOTES: UNLESS OTHERWISE SPECIFIED.
- CABLE TO BE BUNDLED AND TWIST TIED.
  - TEST CABLE FOR ALL OPENS & SHORTS.
  - PACKAGE CABLE ASSEMBLY INDIVIDUALLY IN PLASTIC BAG. PACKAGE INDIVIDUAL BAG PER LOT NUMBER QUANTITIES.

464-254-521-D	25.0 FT ± 4.0 IN 7.62 M ± 101.6 MM
464-144-521-D	14.0 FT ± 3.0 IN 4.27 M ± 76.2 MM
464-074-521-D	7.0 FT ± 2.0 IN 2.13 M ± 50.8 MM

I/O INTERCONNECT	
SANTA ANA, CALIFORNIA	
TITLE	6PAC MODULAR TO OPEN END, BLACK, CABLE ASSEMBLY
PART NO.	464-XX4-521-D
DWG. NO.	464-XX4-521-D
CUSTOMER	DIGI KEY
SCALE	NONE
SHEET	1 OF 1

THIRD ANGLE PROJECTION

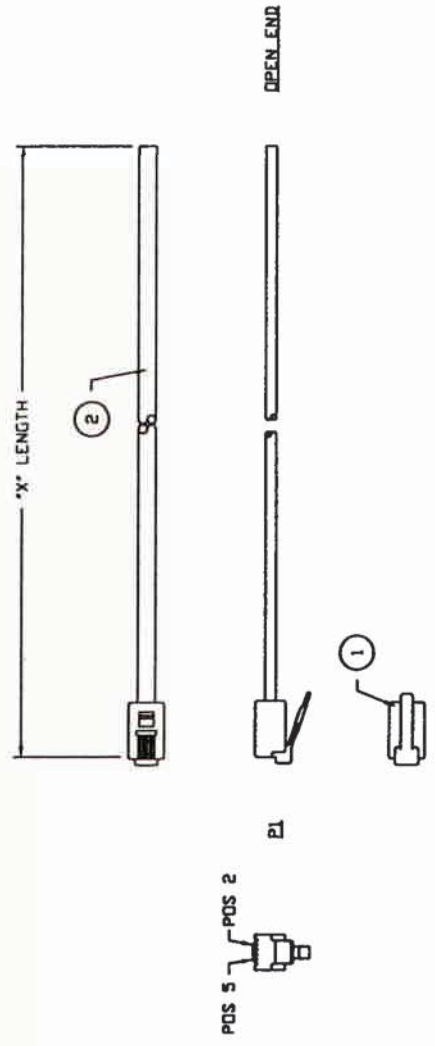
UNLESS OTHERWISE NOTED DIMENSIONS ARE IN INCHES (MILLIMETER) TOLERANCES: X.XX ± 0.25 (6.35)

ITEM	QTY	MFG.	DOI PART NO.	DESCRIPTION
2	1	DOI	120-410-010	MODULAR CABLE, 26 AVG (7/34) BARE COPPER, 4 CONDUCTOR, UNSHIELDED, BLACK PVC.
1	1	PC	325-641-50X	CONNECTOR, MODULAR PLUG, 6 POSITION, 4 CONDUCTOR, 50U" AU, FLAT TYPE EXIT.

CABLE ASSEMBLY PARTS LIST



THESE DRAWINGS AND SPECIFICATIONS ARE THE SOLE PROPERTY OF I/O INTERCONNECT INC. NO PARTS MAY BE REPRODUCED OR TRANSMITTED IN ANY FORM OR BY ANY MEANS WITHOUT WRITTEN CONSENT OF I/O INTERCONNECT INC. OR ITS AFFILIATED SUBSIDIARIES.



WIRE DIAGRAM

PL	OPEN END
2	BLACK
3	RED
4	GREEN
5	YELLOW

CUSTOMER APPROVAL  
 ENGR. SIGN *Math Arnold*  
 DATE: 4-12-99

- NOTES: UNLESS OTHERWISE SPECIFIED.
1. CABLE TO BE BUNDLED AND TWIST TIED.
  2. TEST CABLE FOR ALL OPENS & SHORTS.
  3. PACKAGE CABLE ASSEMBLY INDIVIDUALLY IN PLASTIC BAG. PACKAGE INDIVIDUAL BAG PER LOT NUMBER QUANTITIES.

H3643-25-ND  
 H3643-14-ND  
 H3643-07-ND

464-254-520-D	23.0 FT ± 4.0 IN 7.62 M ± 101.6 MM
464-144-520-D	14.0 FT ± 3.0 IN 4.27 M ± 76.2 MM
464-074-520-D	7.0 FT ± 2.0 IN 2.13 M ± 50.8 MM
PART NUMBER	LENGTH *X*
I/O INTERCONNECT	



UNLESS OTHERWISE NOTED  
 1) DIMENSIONS ARE IN INCHES (MILLIMETER)  
 2) TOLERANCES:  
 X.XX ± 0.25 (6.35)

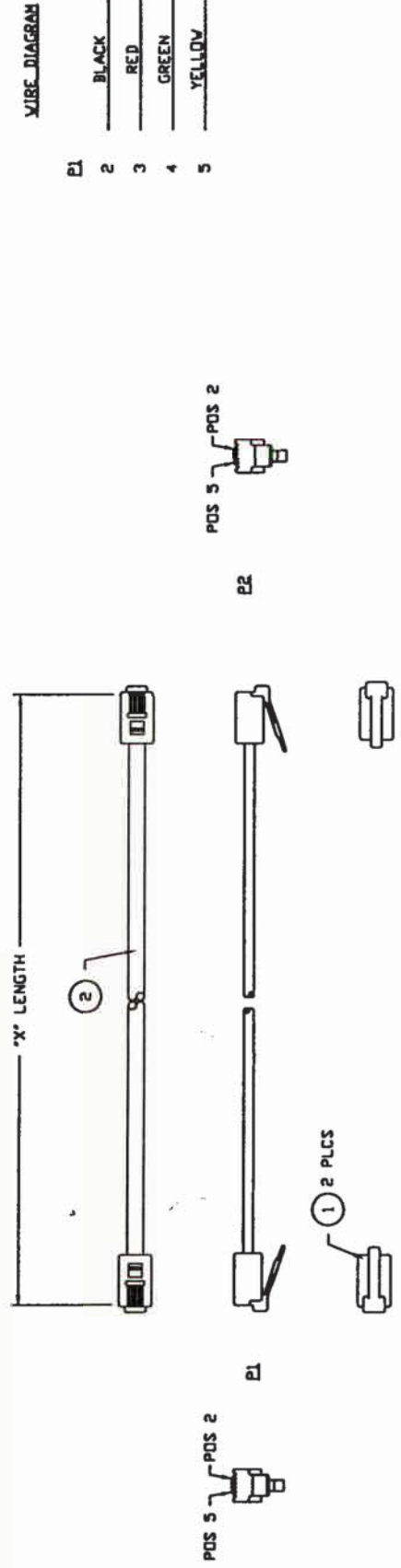
I/O INTERCONNECT	
SANTA ANA, CALIFORNIA	
TITLE	6P4C MODULAR TO OPEN END, SILVER SATIN, CABLE ASSEMBLY
PART NO.	464-XX4-520-D
REV.	464-XX4-520-D
CUSTOMER	DIGI KEY
SCALE	NONE
SHEET	1 OF 1

ITEM	QTY	MFG	IDI PART NO.	DESCRIPTION
2	1	IDI	120-410-000	MODULAR CABLE, 26 AVG (7/34) BARE COPPER, 4 CONDUCTOR, UNSHIELDED, SILVER SATIN PVC.
1	1	IDI	325-641-50X	CONNECTOR, MODULAR PLUG, 6 POSITION, 4 CONDUCTOR, 50u" AU, FLAT TYPE EXIT.

CABLE ASSEMBLY PARTS LIST

A	B	C	D	E	F	G	H
DVG. NO. XX4-512-D		ZONE REV. X1		DESCRIPTION CUSTOMER APPROVAL		DATE APPROVED 03/24/99 E.V.	

THESE DRAWINGS AND SPECIFICATIONS ARE THE SOLE PROPERTY OF I/O INTERCONNECT INC., U.S.A. AND SHALL NOT BE REPRODUCED, COPIED, OR USED IN ANY MANNER WITHOUT THE PRIOR WRITTEN CONSENT OF I/O INTERCONNECT INC. OR ITS AFFILIATED SUBSIDIARIES.



CUSTOMER APPROVAL  
 ENGR. SIGN *Matt L...*  
 DATE: 4-12-99

H1641-25-ND  
 H1641-14-ND  
 H1641-07-ND

- NOTES: UNLESS OTHERWISE SPECIFIED.
- CABLE TO BE BUNDLED AND TWIST TIED.
  - TEST CABLE FOR ALL OPENS & SHORTS.
  - PACKAGE CABLE ASSEMBLY INDIVIDUALLY IN PLASTIC BAG. PACKAGE INDIVIDUAL BAG PER LOT NUMBER QUANTITIES.

ITEM	QTY	MFG.	IOI PART NO.	DESCRIPTION
2	'X'	IOI	120-410-020	MODULAR CABLE, 26 AVG (7/34) BARE COPPER, 4 CONDUCTOR, UNSHIELDED, WHITE PVC
1	2 PCS	IOI	325-641-50X	CONNECTOR, MODULAR PLUG, 6 POSITION, 4 CONDUCTOR, 50U" AU, FLAT TYPE EXIT.

CABLE ASSEMBLY PARTS LIST

464-254-512-D	25.0 FT ± 4.0 IN 7.62 M ± 101.6 MM
464-144-512-D	14.0 FT ± 3.0 IN 4.27 M ± 76.2 MM
464-074-512-D	7.0 FT ± 2.0 IN 2.13 M ± 50.8 MM
PART NUMBER I/O INTERCONNECT LENGTH 'X'	

**I/O INTERCONNECT**  
 SANTA ANA, CALIFORNIA

THIRD ANGLE PROJECTION

UNLESS OTHERWISE NOTED DIMENSIONS ARE IN INCHES (MILLIMETER) TOLERANCES: XXX ± 0.25 (6.35)

REV.	REV.
X1	X1

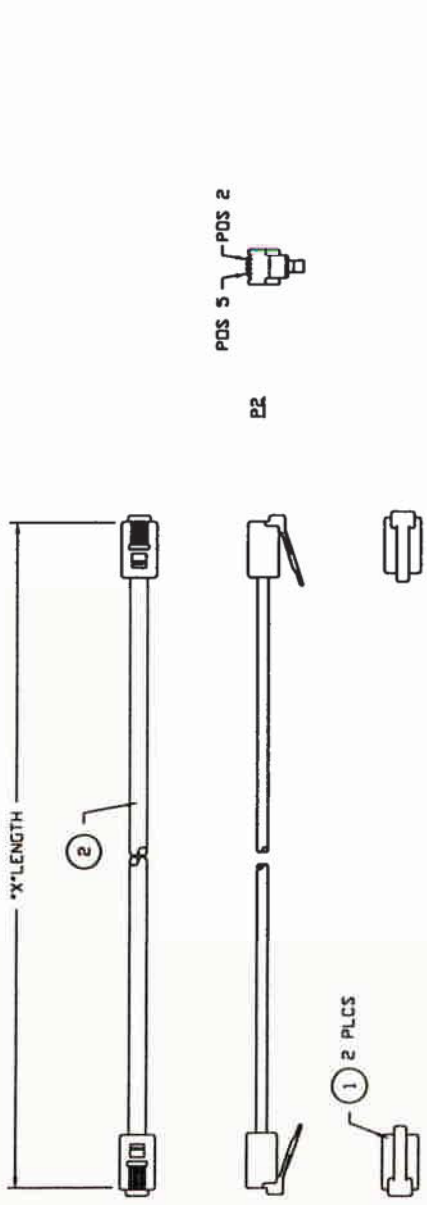
DIGI KEY

SCALE	NONE	SHEET 1 OF 1
-------	------	--------------



A	B	C	D	E	F	G	H
DWG. NO. XX4-511-D		REV. XI	DESCRIPTION	DATE	APPROVED		
ZONE		CUSTOMER APPROVAL	03/24/99	E.V.			

THESE DRAWINGS AND SPECIFICATIONS ARE THE SOLE PROPERTY OF I/O INTERCONNECT INC. USA, AND SHALL NOT BE REPRODUCED, COPIED OR USED IN ANY MANNER WITHOUT THE PRIOR WRITTEN CONSENT OF I/O INTERCONNECT INC. OR ITS AFFILIATED SUBSIDIARIES.



WIRE DIAGRAM

PI	PR
2	BLACK
3	RED
4	GREEN
5	YELLOW

CUSTOMER APPROVAL  
 ENGR. SIGN *Math Larmer*  
 DATE: 4-12-99

- NOTES: UNLESS OTHERWISE SPECIFIED.
- CABLE TO BE BUNDLED AND TWIST TIED.
  - TEST CABLE FOR ALL OPENS & SHORTS.
  - PACKAGE CABLE ASSEMBLY INDIVIDUALLY IN PLASTIC BAG. PACKAGE INDIVIDUAL BAG PER LOT NUMBER QUANTITIES.

464-254-511-D	25.0 FT ± 4.0 IN 7.62 M ± 101.6 MM
464-144-511-D	14.0 FT ± 3.0 IN 4.27 M ± 76.2 MM
464-074-511-D	7.0 FT ± 2.0 IN 2.13 M ± 50.8 MM
PART NUMBER	LENGTH "X"

THIRD ANGLE PROJECTION

I/O INTERCONNECT  
 SANTA ANA, CALIFORNIA

UNLESS OTHERWISE NOTED 1) DIMENSIONS ARE IN INCHES (MILLIMETER) 2) TOLERANCES X.XX ± 0.25 (6.35)	REV. XI
DIGI KEY	PAGE 1 OF 1

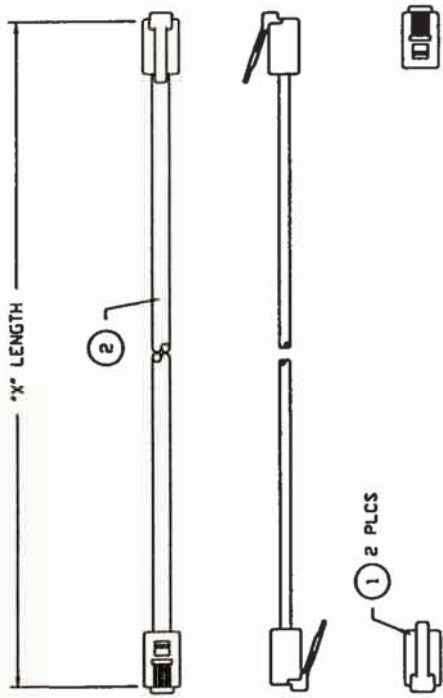
2	"X"	IDI	120-410-010	MODULAR CABLE, 26 AVG (7/34) BARE COPPER, 4 CONDUCTOR, UNSHIELDED, BLACK PVC.
1	2 PCS	IDI	325-641-50X	CONNECTOR, MODULAR PLUG, 6 POSITION, 4 CONDUCTOR, 50u" Au, FLAT TYPE EXIT.
ITEM	QTY	MFG.	IDI PART NO.	DESCRIPTION

CABLE ASSEMBLY PARTS LIST





A	B	C	D	E	F	G	H	
THESE DRAWINGS AND SPECIFICATIONS ARE THE SOLE PROPERTY OF I/O INTERCONNECT INC. NO PARTS OR MATERIALS ARE TO BE PRODUCED OR USED WITHOUT THE WRITTEN CONSENT OF I/O INTERCONNECT INC. OR ITS AFFILIATED SUBSIDIARIES.		DWG. NO. XX4-502-D	REV. X1	DESCRIPTION CUSTOMER APPROVAL	DATE 03/24/99	APPROVED E.V.		



WIRE DIAGRAM

P1	BLACK	P2
2	RED	2
3	GREEN	3
4	YELLOW	4
5		5

CUSTOMER APPROVAL  
 ENGR. SIGN Math Lopez  
 DATE: 4-12-99

- NOTES: UNLESS OTHERWISE SPECIFIED.
- CABLE TO BE BUNDLED AND TWIST TIED.
  - TEST CABLE FOR ALL OPENS & SHORTS.
  - PACKAGE CABLE ASSEMBLY INDIVIDUALLY IN PLASTIC BAG. PACKAGE INDIVIDUAL BAG PER LOT NUMBER QUANTITIES.

464-254-502-D	25.0 FT ± 4.0 IN 7.62 M ± 101.6 MM
464-144-502-D	14.0 FT ± 3.0 IN 4.27 M ± 76.2 MM
464-074-502-D	7.0 FT ± 2.0 IN 2.13 M ± 50.8 MM
PART NUMBER I/O INTERCONNECT	LENGTH 'X'

TITLE I/O INTERCONNECT SANTA ANA, CALIFORNIA	
IN. BY DESIGNED BY REV.	6P4C MODULAR, REVERT STYLE, WHITE, CABLE ASSEMBLY
PART NO. 464-XX4-502-D	REV.
DRAWING NO. 464-XX4-502-D	CUSTOMER
DATE/PRICE	DIGI KEY
REV.	SCALE NONE
SHEET 1 OF 1	

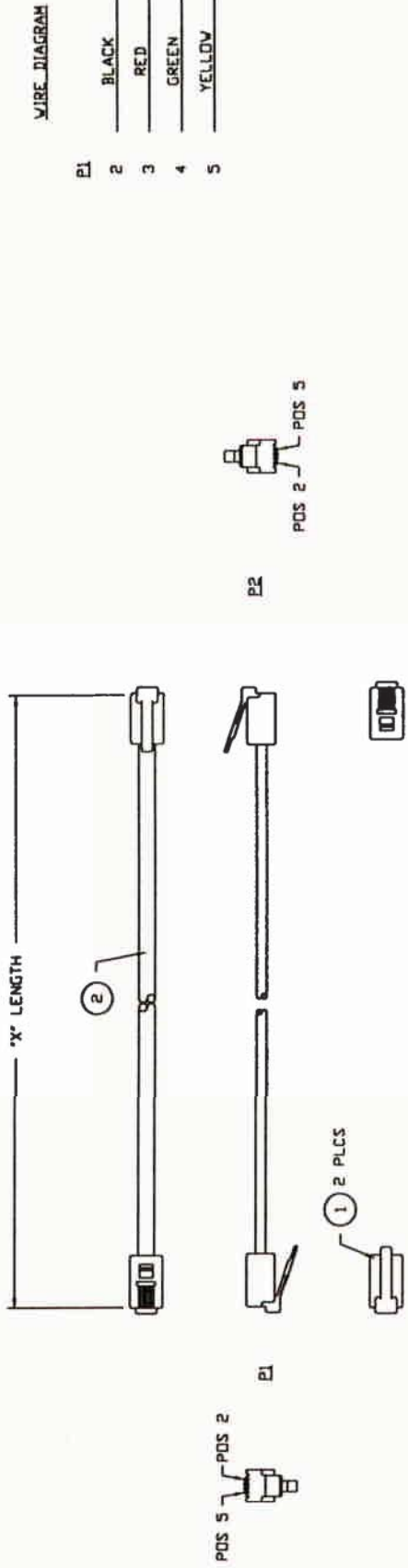
THIRD ANGLE PROJECTION

UNLESS OTHERWISE NOTED  
 1) DIMENSIONS ARE IN INCHES (MILLIMETERS)  
 2) TOLERANCES:  
 XXX ± 0.25 (6.35)

2	"X"	101	120-410-020	MODULAR CABLE, 26 AVG (7/34) BARE COPPER, 4 CONDUCTOR, UNSHIELDED, WHITE PVC.
1	2 PCS	101	325-641-50X	CONNECTOR, MODULAR PLUG, 6 POSITION, 4 CONDUCTOR, 50U" Au., FLAT TYPE EXIT.
ITEM	QTY	MFG.	I/OI PART NO.	DESCRIPTION

CABLE ASSEMBLY PARTS LIST

THESE DRAWINGS AND SPECIFICATIONS ARE THE SOLE PROPERTY OF I/O INTERCONNECT INC. U.S. AND CANADA. NO PART OF THIS DOCUMENT IS TO BE REPRODUCED OR TRANSMITTED IN ANY FORM OR BY ANY MEANS, ELECTRONIC OR MECHANICAL, WITHOUT THE WRITTEN CONSENT OF I/O INTERCONNECT INC. OR ITS AFFILIATED SUBSIDIARIES.

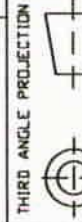


CUSTOMER APPROVAL  
 ENGR. SIGN Y. Matt James  
 DATE: 4-12-99

- NOTES: UNLESS OTHERWISE SPECIFIED.
- CABLE TO BE BUNDLED AND TWIST TIED.
  - TEST CABLE FOR ALL OPENS & SHORTS.
  - PACKAGE CABLE ASSEMBLY INDIVIDUALLY IN PLASTIC BAG. PACKAGE INDIVIDUAL BAG PER LOT NUMBER QUANTITIES.

H2642-25-ND  
 H2642-14-ND  
 H2642-07-ND

464-254-501-D	250 FT ± 4.0 IN 7.62 M ± 101.6 MM
464-144-501-D	14.0 FT ± 3.0 IN 4.27 M ± 76.2 MM
464-074-501-D	7.0 FT ± 2.0 IN 2.13 M ± 50.8 MM
PART NUMBER I/O_INTERCONNECT	LENGTH 'X'



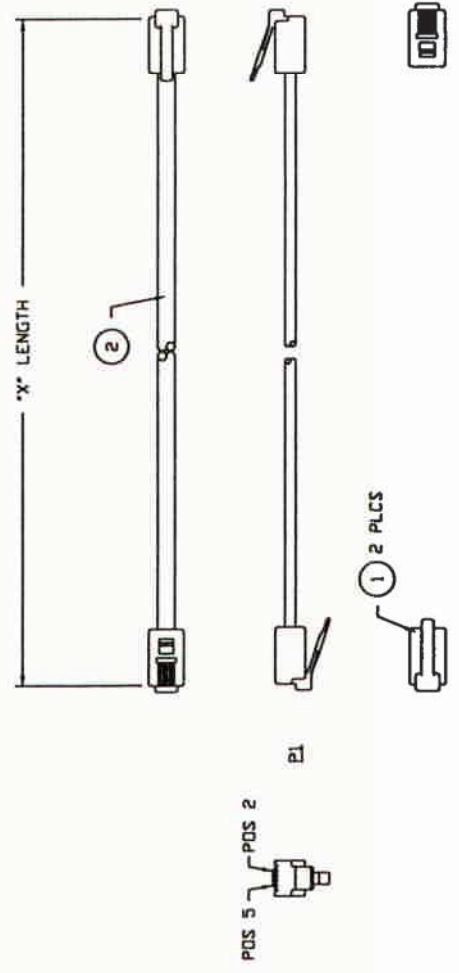
TITLE I/O INTERCONNECT SANTA ANA, CALIFORNIA	
DATE	REV.
03/24/99	XI
DESCRIPTION 6P4C MODULAR, REVERT STYLE, BLACK, CABLE ASSEMBLY	
PART NO.	464-XX4-501-D
DWG. NO.	464-XX4-501-D
CUSTOMER	DIGI KEY
SCALE	NONE
SHEET	1 OF 1

ITEM	QTY	MFG.	IOI PART NO.	DESCRIPTION
2			120-410-010	MODULAR CABLE, 26 AVG (7/34) BARE COPPER, 4 CONDUCTOR, UNSHIELDED, BLACK PVC.
1	2 PCS	IOI	325-641-50X	CONNECTOR, MODULAR PLUG, 6 POSITION, 4 CONDUCTOR, 50U" ALL, FLAT TYPE EXIT.

CABLE ASSEMBLY PARTS LIST



A	B	C	D	E	F	G	H
THESE DRAWINGS AND SPECIFICATIONS ARE THE SOLE PROPERTY OF I/O INTERCONNECT INC. U.S.A. AND SHALL NOT BE REPRODUCED, COPIED, OR USED IN ANY MANNER WITHOUT THE WRITTEN CONSENT OF I/O INTERCONNECT INC. OR ITS AFFILIATED SUBSIDIARIES.		DWG. NO. XX4-500-D	ZONE	REV. X1	DESCRIPTION CUSTOMER APPROVAL	DATE 03/24/99	APPROVED E.V.



CUSTOMER APPROVAL  
 ENGR. SIGN Matt Lammie  
 DATE: 4-12-99

- NOTES: UNLESS OTHERWISE SPECIFIED.
- CABLE TO BE BUNDLED AND TWIST TIED.
  - TEST CABLE FOR ALL OPENS & SHORTS.
  - PACKAGE CABLE ASSEMBLY INDIVIDUALLY IN PLASTIC BAG. PACKAGE INDIVIDUAL BAG PER LOT NUMBER QUANTITIES.

H2643-25-ND  
 H2643-14-ND  
 H2643-07-ND

464-254-500-D	25.0 FT ± 4.0 IN 7.62 M ± 101.6 MM
464-144-500-D	14.0 FT ± 3.0 IN 4.27 M ± 76.2 MM
464-074-500-D	7.0 FT ± 2.0 IN 2.13 M ± 50.8 MM
PART NUMBER	LENGTH *X*
I/O INTERCONNECT	

THIRD ANGLE PROJECTION

UNLESS OTHERWISE NOTED:  
 1) DIMENSIONS ARE IN INCHES (MILLIMETER)  
 2) TOLERANCES:  
 .XXX ± 0.25 (6.35)

I/O INTERCONNECT  
 SANTA ANA, CALIFORNIA

TITLE	6P4C MODULAR, REVERT STYLE, SILVER SATIN, CABLE ASSEMBLY
PART NO.	464-XX4-500-D
DRAWN	
CHECKED	
DATE	
SCALE	NDNE
SHEET	1 OF 1

2	*X*	IDI	120-410-000	MODULAR CABLE, 26 AVG (7/34) BARE COPPER, 4 CONDUCTOR, UNSHIELDED, SILVER SATIN PVC.
1	2 PCS	IDI	325-641-50X	CONNECTOR, MODULAR PLUG, 6 POSITION, 4 CONDUCTOR, 50U* Au, FLAT TYPE EXIT.
ITEM	QTY	MFG.	IDI PART NO.	DESCRIPTION

CABLE ASSEMBLY PARTS LIST