



Chipsmall Limited consists of a professional team with an average of over 10 year of expertise in the distribution of electronic components. Based in Hongkong, we have already established firm and mutual-benefit business relationships with customers from,Europe,America and south Asia,supplying obsolete and hard-to-find components to meet their specific needs.

With the principle of “Quality Parts,Customers Priority,Honest Operation,and Considerate Service”,our business mainly focus on the distribution of electronic components. Line cards we deal with include Microchip,ALPS,ROHM,Xilinx,Pulse,ON,Everlight and Freescale. Main products comprise IC,Modules,Potentiometer,IC Socket,Relay,Connector.Our parts cover such applications as commercial,industrial, and automotives areas.

We are looking forward to setting up business relationship with you and hope to provide you with the best service and solution. Let us make a better world for our industry!



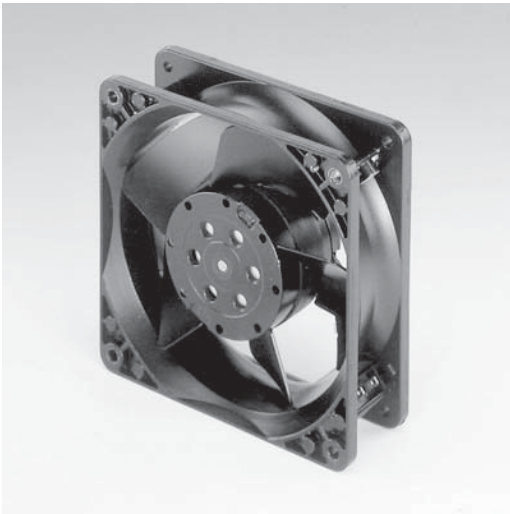
## Contact us

Tel: +86-755-8981 8866 Fax: +86-755-8427 6832

Email & Skype: info@chipsmall.com Web: www.chipsmall.com

Address: A1208, Overseas Decoration Building, #122 Zhenhua RD., Futian, Shenzhen, China





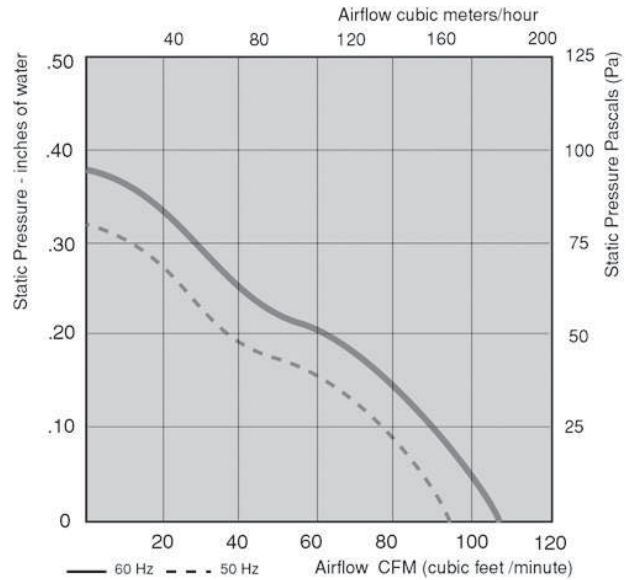
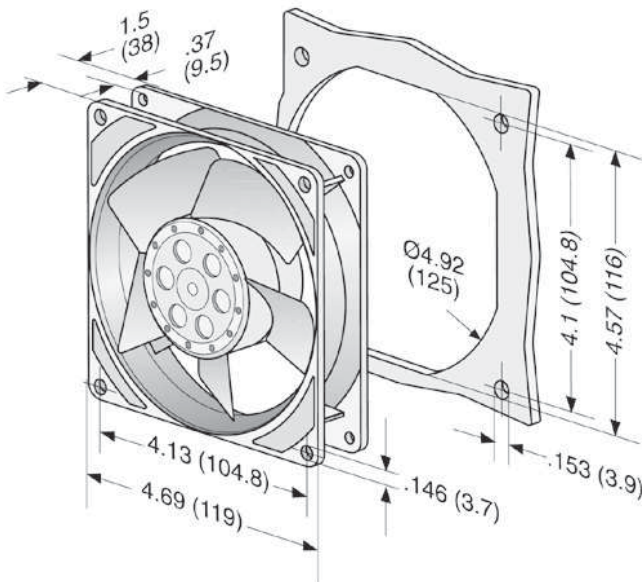
# 4000VX Series

Tubeaxial

119x119x38mm

- AC fans with external rotor shaded-pole motor. Impedance protected against overloading.
- Metal fan housing and impeller.
- Air exhaust over struts. Rotational direction CW looking at rotor.
- Mounting from either face using four 3.7 mm holes.
- Electrical connection via 2 flat pins 3.0 x 0.5 mm.
- Fan housing with ground lug for screw M4.
- Mounting: Either face using four 3.7mm (.146") holes..
- UL, CSA, VDE approvals on some models, please contact application engineering.

Part Number	CFM @ 0	VAC	Hertz	Power (W)	dBA	Max. Amb. Temp. C	Bearing Type	Features	Wgt. (lbs)
4600VX-820	106	115	50/60	18	45	60	Sintec	Terminals	1.13
4606VX	106	115	50/60	18	45	90	Ball	Terminals	1.13
4650VX	106	230	50/60	18	45	60	Sintec	Terminals	1.13
4656VX-817	106	230	50/60	18	45	90	Ball	Terminals	1.13



**ebmpapst**

e-mail: [sales@us.ebmpapst.com](mailto:sales@us.ebmpapst.com) · TEL: 860-674-1515 · FAX: 860-674-8536

ebm-papst Inc., 100 Hyde Road, Farmington, CT 06034 USA

ebm-papst Inc., 2004 © ebm-papst Inc. reserves the right to change any specifications or data without notice