



Chipsmall Limited consists of a professional team with an average of over 10 year of expertise in the distribution of electronic components. Based in Hongkong, we have already established firm and mutual-benefit business relationships with customers from,Europe,America and south Asia,supplying obsolete and hard-to-find components to meet their specific needs.

With the principle of “Quality Parts,Customers Priority,Honest Operation,and Considerate Service”,our business mainly focus on the distribution of electronic components. Line cards we deal with include Microchip,ALPS,ROHM,Xilinx,Pulse,ON,Everlight and Freescale. Main products comprise IC,Modules,Potentiometer,IC Socket,Relay,Connector.Our parts cover such applications as commercial,industrial, and automotives areas.

We are looking forward to setting up business relationship with you and hope to provide you with the best service and solution. Let us make a better world for our industry!



Contact us

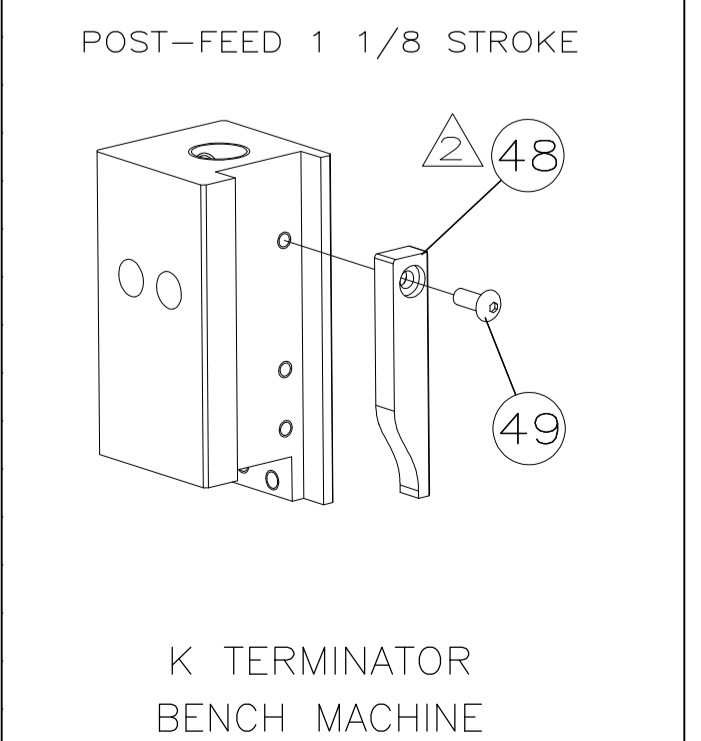
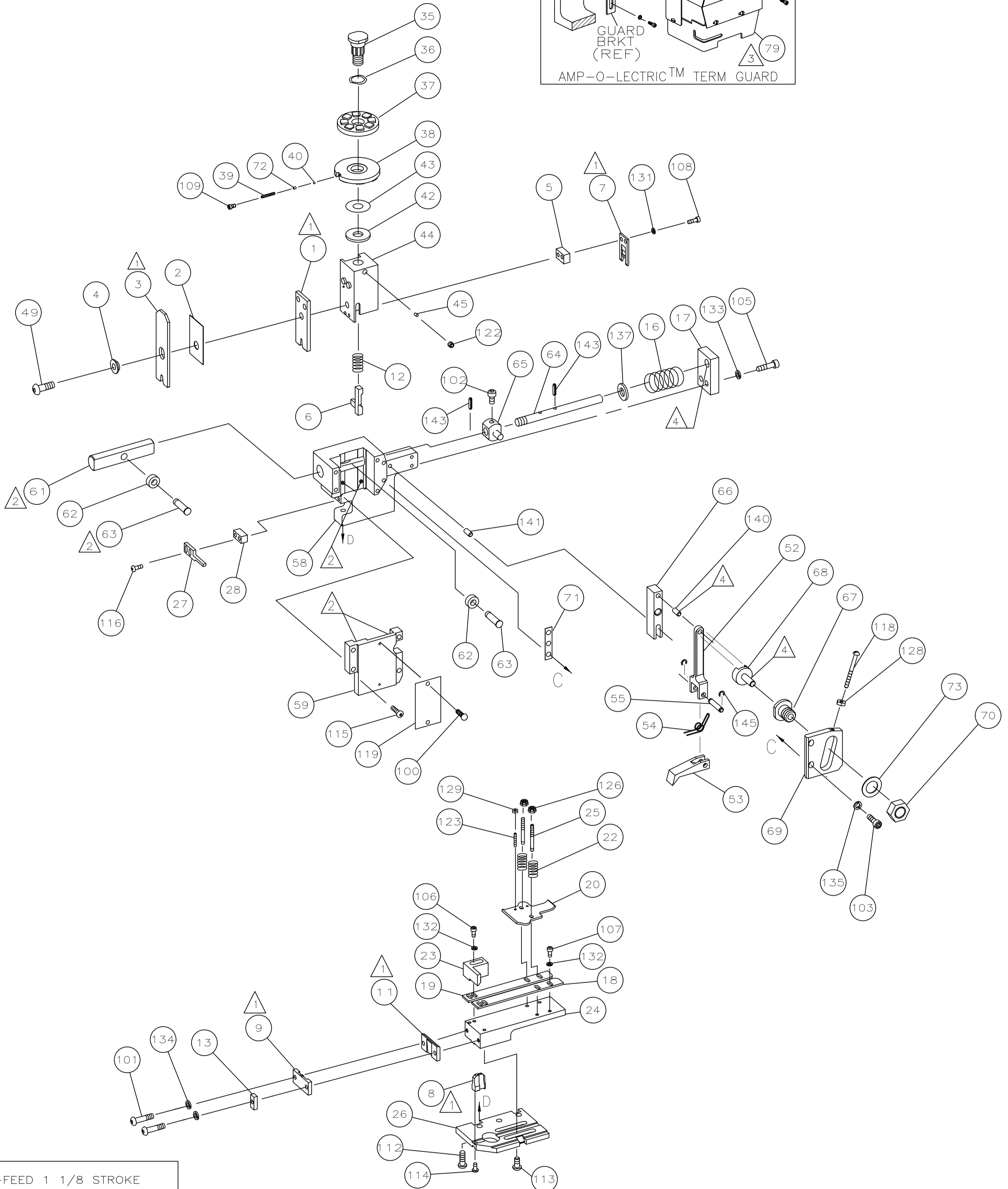
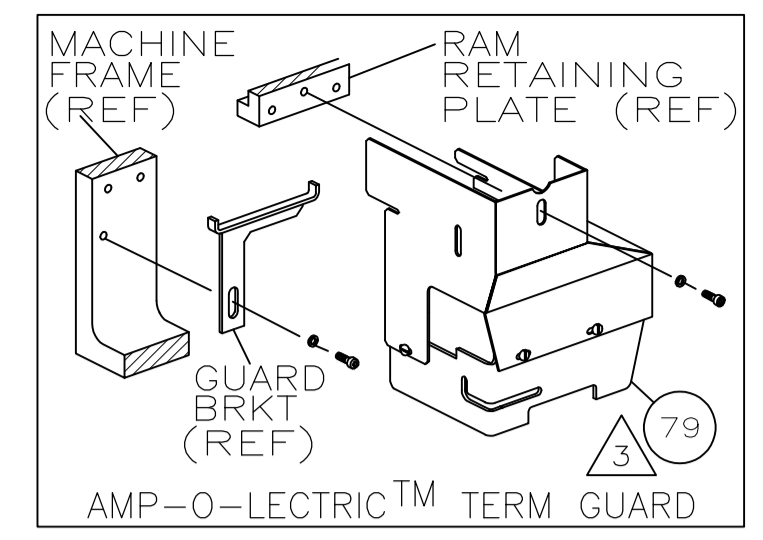
Tel: +86-755-8981 8866 Fax: +86-755-8427 6832

Email & Skype: info@chipsmall.com Web: www.chipsmall.com

Address: A1208, Overseas Decoration Building, #122 Zhenhua RD., Futian, Shenzhen, China



PART NUMBER	REV	FIRST USED
466089-2	F	565435-5



- 1 RECOMMENDED SPARE PARTS.
- 2 GREASE LIGHTLY.
- 3 GUARD MUST BE IN PLACE WHEN OPERATING APPLICATOR.
- 4 LUBRICATE DAILY USING NO. 20 MACHINE OIL.

TERMINAL NAME: -

60469		CRIMPING DATA			
PAD LTR		CRIMP HEIGHT	WIRE SIZE		
A		.041 ±.002	20		
B		.037 ±.002	22		
C		.034 ±.002	24		
D		NOT	USED		
CRIMP		SIZE	TYPE	RANGE	
WIRE		.055	F	24-20	
INSUL		.120	F	.090-.130	
WIRE STRIP LENGTH	TERM APPL SPEC	FEED	APPL INSTRUCTION	SET UP GAGE	LAYOUT
.150-.180	114-2080	.621	AI-8039	458638-1	-

REF	-	21045-3	RING, RETAINING "C"(ø.187)FEED FINGER PIN	145
				144
REF	-	5-21028-1	PIN,SLOT SPR(ø.125x.50)FD ADJ ROD	143
				142
REF	-	1-21030-7	PIN,DOWEL(ø.187x1.50)HOUSING	141
REF	-	1-21030-1	PIN,DOWEL(ø.187x.50)LEVER	140
				139
				138
REF	-	21899-4	WASHER,FLAT(ø5/16)SCR ADJ	137
				136
REF	-	21024-5	WASHER,LOCK(#10)FEED ADJ PLATE	135
2	-	21024-5	WASHER,LOCK(#10)SHEAR PLATE	134
REF	-	21024-5	WASHER,LOCK(#10)FEED GUIDE ROD	133
5	-	21024-4	WASHER,LOCK(#8)STRIP GUIDE	132
2	-	21024-4	WASHER,LOCK(#8)SHEAR BLADE	131
				130
2	-	21018-4	NUT,HEX(4-40)DRAG	129
REF	-	21068-5	NUT,HEX(6-32)FEED ADJ PLATE	128
				127
2	-	21022-2	NUT,HEX SELF-LKG(8-32)DRAG STUD	126
				125
				124
2	-	4-21078-8	SCR,SET OVAL PT(4-40x.75)DRAG	123
1	-	21009-2	SCR,SET(1/4-20x.25)(LOC-WEL)RAM	122
				121
1	-	2-21003-0	SCR,FHC(6-32x.50)CAM	120
1	-	461264-1	PLATE, IDENTIFICATION	119
REF	-	3-21064-2	SCR,RH(6-32x1.50)FEED ADJ	118
				117
2	-	2-21002-2	SCR,BHSC(8-32x.50)STRIPPER	116
REF	-	2-21002-9	SCR,BHSC(10-32x.75)HSG CAP	115
1	-	22733-8	SCR,BHSC(8-32x.38)(LOC-WEL)ANVIL	114
4	-	3-21002-3	SCR,BHSC(1/4-20x.50)STR GDE PL	113
REF	-	1-24073-9	SCR,BHSC(1/4-20x.75)BASE PL	112
				111
				110
1	-	23030-1	SCR,SHC(6-32x.25)(LO-WEL)CP DISC	109
2	-	2-21000-6	SCR,BHC(8-32x.38)SHEAR BLADE	108
3	-	7-21000-4	SCR,SHC(8-32x.31)STRIP GUIDE	107
2	-	2-21000-8	SCR,SHC(8-32x.62)STRIP GUIDE	106
REF	-	3-21000-7	SCR,SHC(10-32x.75)FEED ROD GUIDE	105
				104
REF	-	3-21000-6	SCR,SHC(10-32x.62)FEED ADJ BLOCK	103
REF	-	3-21000-4	SCR,SHC(10-32x.38)PIVOT BLOCK	102
2	-	3-21000-8	SCR,SHC(10-32x.88)SHEAR PLATE	101
2	-	21017-2	SCR,DRIVE(#2x.19)ID PLATE	100
				99
				98
				97
				96
				95
				94
				93
				92
				91
				90
				89
				88
				87
				86
				85
				84
				83
				82
				81
				80
				79
				78
				77
				76

-2	U/M	PART NO	DESCRIPTION
PARTS LIST			
QTY REQD PER ASSY			

-2	U/M	PART NO	DESCRIPTION	ITEM NO
PARTS LIST				
QTY REQD PER ASSY				

THIS DRAWING IS A CONTROLLED DOCUMENT.

APPROVED: M. YOUNGER, G. RAILLEY, G. RAILLEY

DATE: 19APR2007

NAME: END FEED HDM APPLICATOR

SIZE: A1, CAGE CODE: 00779, DRAWING NO: 466089-2

SCALE: 1 OF 1, REV: F

LOC	DIST	REVISIONS			
A	66	REV	DESCRIPTION	DATE	BY
		F	ECR-07-00	4-2007	MY

					75
REF	-	458109-1	WASHER, SPECIAL		74
2	-	690603-1	SPRING, ASSIST		72
REF	-	690517-1	SPACER		71
REF	-	22594-8	NUT, HEX		70
REF	-	240628-1	PLATE, ADJUSTMENT		69
REF	-	240626-1	SHAFT, PIVOT		68
REF	-	240633-1	BUSHING		67
REF	-	455680-1	LEVER, INTERMEDIATE		66
REF	-	240629-1	BLOCK, PIVOT		65
REF	-	240632-2	SCR, ADJ FEED ROD		64
REF	-	240659-3	PIN, CAM ROLLER		63
REF	-	240658-1	ROLLER, CAM		62
REF	-	454398-1	ROD, FEED		61
					60
REF	-	454220-1	CAP, RAM		59
REF	-	453736-1	HOUSING		58
					57
					56
REF	-	240624-1	PIN, FEED FINGER		55
REF	-	691499-1	SPRING, FEED FINGER		54
REF	-	240635-1	FINGER, FEED		53
REF	-	240634-3	LEVER, TERMINAL FEED ARM		52
					51
					50
1	-	7-21002-9	BOLT, CRIMPER		49
1	-	690501-3	CAM POST-FEED, 1 1/8 STROKE		48
					47
					46
1	-	690191-1	PLUG, NYLON		45
1	-	455674-1	RAM		44
1	-	690125-1	WASHER, LAMINATED		43
1	-	690124-1	WASHER, RAM		42
					41
2	-	23241-6	BALL, STEEL		40
2	-	690170-1	SPRING, COMPRESSION		39
1	-	690142-1	DISC, INSULATION		38
1	-	5-690692-9	DISC, WIRE		37
1	-	22480-5	WASHER, SPRING		36
1	-	690212-1	POST, RAM		35
					34
					33
1	-	458980-1	APPLICATOR, BASIC (SUB ASSY)		32
					31
					30
					29
1	-	3-690451-2	SPACER, STRIPPER		28
1	-	240639-1	STRIPPER		27
REF	-	455675-1	PLATE, BASE		26
2	-	22354-8	DRAG, STUD		25
1	-	455678-1	PLATE, STRIP GUIDE		24
1	-	240825-2	PLATE, STRIP HOLD		23
2	-	4-22281-1	SPRING, DRAG		22
					21
1	-	454177-1	DRAG, STOCK		20
1	-	454204-1	GUIDE, STRIP (REAR)		19
1	-	454204-1	GUIDE, STRIP (FRONT)		18
REF	-	454178-1	GUIDE, FEED ROD		17
REF	-	4-22284-9	SPRING, FEED RETURN		16
					15
					14
1	-	690481-8	SPACER, HOLD DOWN		13
1	-	23846-1	SPRING, HOLD DOWN		12
1	-	240644-1	PLATE, REAR SHEAR		11
					10
1	-	690482-6	PLATE, FRONT SHEAR		9
1	-	2-240655-8	ANVIL		8
1	-	690474-6	BLADE, SLUG		7
1	-	2-455892-2	HOLD DOWN TERMINAL		6
1	-	3-240641-8	SPACER, SHEAR BLADE		5
1	-	238009-1	SPACER, TUBULAR		4
1	-	2-456134-6	CRIMPER, INSULATION		3
1	-	455888-4	SPACER, INSULATION		2
1	-	1-456402-6	CRIMPER, WIRE		1