



Chipsmall Limited consists of a professional team with an average of over 10 year of expertise in the distribution of electronic components. Based in Hongkong, we have already established firm and mutual-benefit business relationships with customers from,Europe,America and south Asia,supplying obsolete and hard-to-find components to meet their specific needs.

With the principle of “Quality Parts,Customers Priority,Honest Operation,and Considerate Service”,our business mainly focus on the distribution of electronic components. Line cards we deal with include Microchip,ALPS,ROHM,Xilinx,Pulse,ON,Everlight and Freescale. Main products comprise IC,Modules,Potentiometer,IC Socket,Relay,Connector.Our parts cover such applications as commercial,industrial, and automotives areas.

We are looking forward to setting up business relationship with you and hope to provide you with the best service and solution. Let us make a better world for our industry!



## Contact us

Tel: +86-755-8981 8866 Fax: +86-755-8427 6832

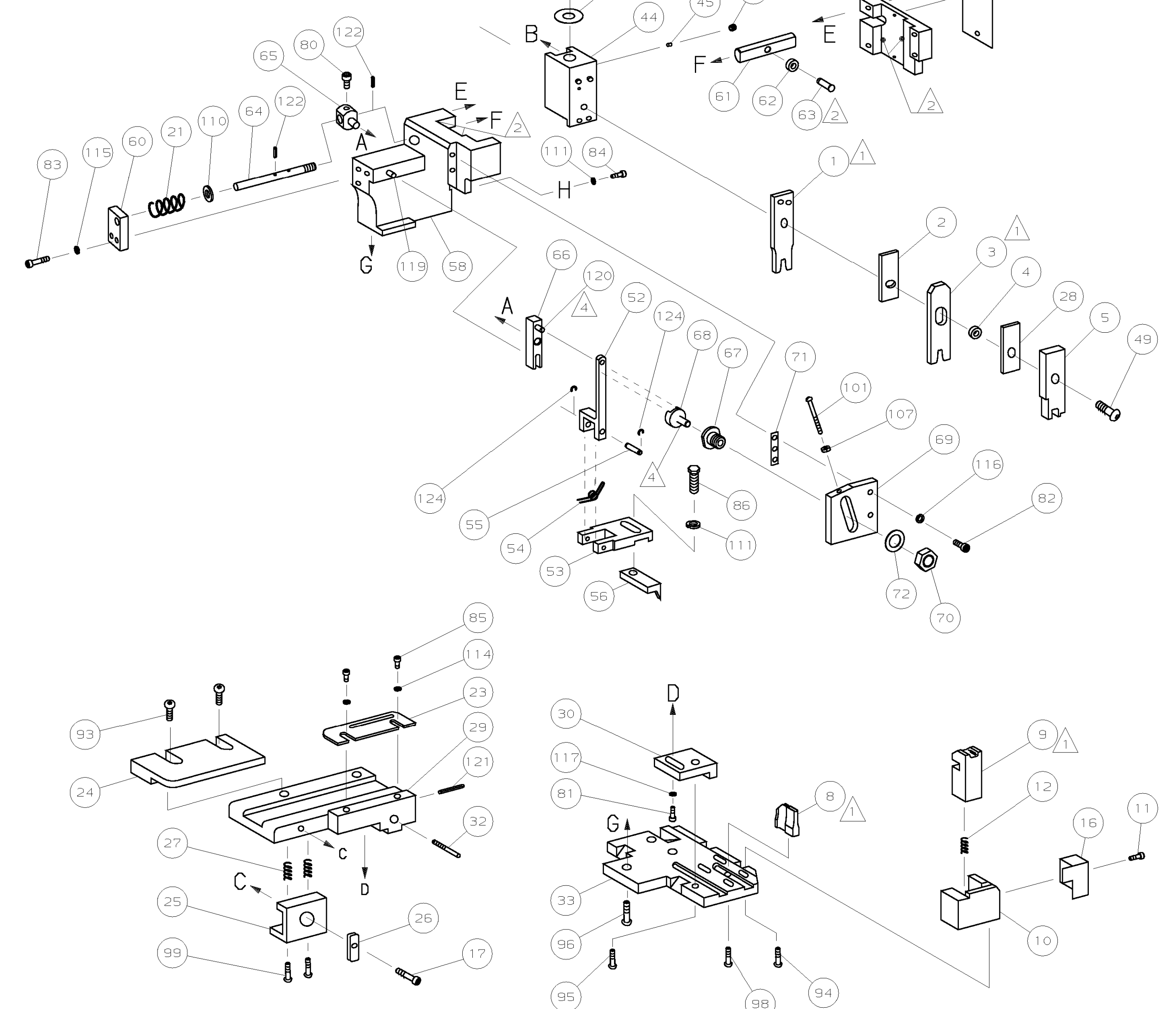
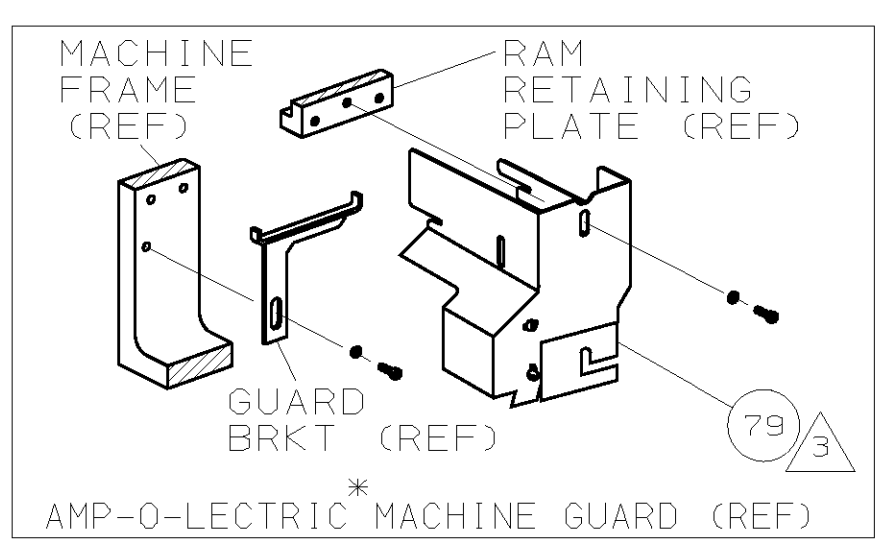
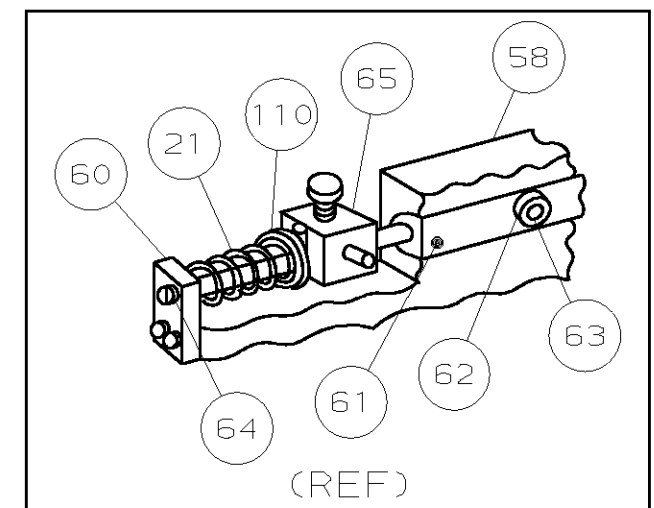
Email & Skype: info@chipsmall.com Web: www.chipsmall.com

Address: A1208, Overseas Decoration Building, #122 Zhenhua RD., Futian, Shenzhen, China

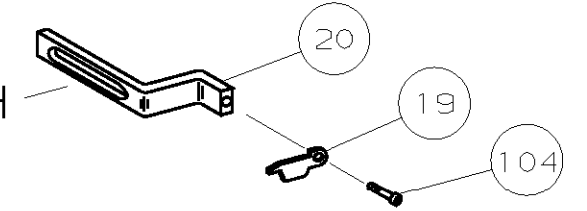
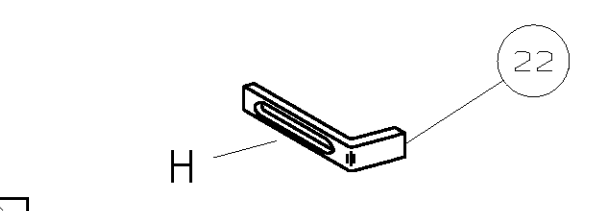
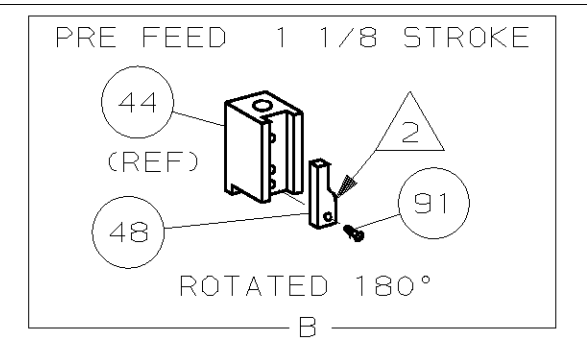
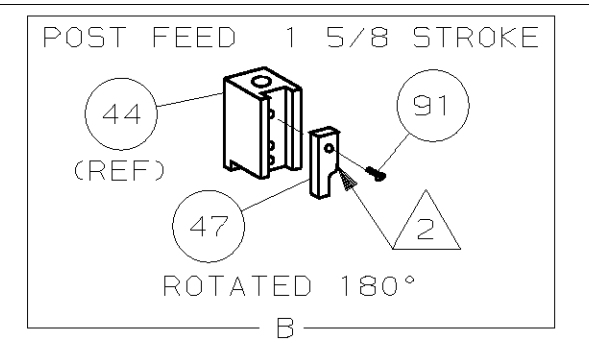


PART NUMBER	REV	FIRST USED
466685-1	H	054400-1
466685-2	K	565435-5
466685-3	K	054400-1

OBsolete  
PRELIMINARY  
OBsolete



\* Trademark of AMP Incorporated



- 1 RECOMMENDED SPARE PARTS.
- 2 GREASE LIGHTLY.
- 3 GUARD MUST BE IN PLACE WHEN OPERATING APPLICATOR IN AMP-0-ELECTRIC MACHINE.
- 4 LUBRICATE DAILY USING NO. 20 MACHINE OIL.
- 5. ITEMS WITH QTY OF REF SPECIFIED (EXCEPT ITEM 79) ARE USED ON ITEM 46.
- 6 ELONGATE .50 DIA HOLE IN DRAG (ITEM 25) BY REMOVING .015 FROM TOP AT ASSY TO ACHIEVE PROPER DRAG PRESSURE.

TERMINAL NAME:	
54494-1	TERMINAL-BODY ELECTRODE GRIP
63626-1	

CRIMPING DATA			
PAD LTR	CRIMP HEIGHT	WIRE SIZE	
A	.029 ±.002	22 - 24	
B	.026 ±.002	26	
C	NOT	USED	
D	NOT	USED	
CRIMP	SIZE	TYPE	RANGE
WIRE	.055	F	26 - 22
INSUL	.080	0	.050 - .065
FEED	APPL INST	SET UP GAGE	LAYOUT
.600	A1 8040	458637-1	L1450
WIRE STRIP LENGTH			
-1	LEADMAKER	MECH-POST FEED	
-2	AMP-0-ELECTRIC	MECH-PRE FEED	
-3	LEADMAKER	MECH-POST FEED	

REF	REF								
		-	A	21045-3	RING, RET °C (Ø.187) FD FING PIN	125			
						124			
		-	A	5-21028-1	PIN, SLT SPR (Ø.125x.50) ADJ ROD	122			
		-	A	4-21028-0	PIN, SLT SPR (Ø.093x.75) ST GDE PL	121			
		-	A	1-21030-1	PIN, DOWEL (Ø.187x.50) LEVER	120			
		-	A	1-21030-6	PIN, DOWEL (Ø.187x1.25) HOUSING	119			
						118			
		-	A	21024-5	WASHER, LOCK (#10) ADJ BLOCK	117			
		-	A	21024-5	WASHER, LOCK (#10) ADJ PLATE	116			
		-	A	21024-5	WASHER, LOCK (#10) FEED GDE ROD	115			
		-	A	21024-2	WASHER, LOCK (#4) FRONT STP GUIDE	114			
						113			
						112			
		-	A	21024-4	WASHER, LOCK (#8) STRIPPER	111			
		-	A	21899-4	WASHER, FLAT (Ø5/16) SCREW ADJ	110			
						109			
						108			
		-	A	21018-5	NUT, HEX (6-32) FEED ADJ	107			
						106			
						105			
		-	A	456567-1	SCR, SHLD (Ø.188x.12) STRIP	104			
		-	A	21009-2	SCR, SKT SET (1/4-20x.25 LW) RAM	103			
		-	A	21017-2	SCR, DRIVE (#2x.19) ID PLATE	102			
		-	A	6-23715-5	SCR, PAN HD (6-32x1.50) FEED ADJ	101			
		-	B	461264-1	PLATE, IDENTIFICATION	100			
		-	A	2-21002-9	SCR, BHC (10-32x.75) DRAG	99			
		-	A	22733-8	SCR, BHC (8-32x.38 LW) ANVIL	98			
		-	A	2-21002-9	SCR, BHC (10-32x.75) CAP	97			
		-	A	2-22733-8	SCR, BHC (1/4-20x.62) HOUSING	96			
		-	A	2-21002-7	SCR, BHC (10-32x.50) 5G ADJ BLOCK	95			
		-	A	2-21002-2	SCR, BHC (8-32x.50) SHEAR	94			
		-	A	2-21002-1	SCR, BHC (8-32x.38) R STRIP GUIDE	93			
						92			
		-	A	1-21002-7	SCR, BHC (6-32x.38) CAM	91			
						90			
						89			
						88			
						87			
		-	A	2-22603-0	SCR, HEX HD (8-32x.31) FEED FINGER	86			
		-	A	1-21000-3	SCR, SHC (4-40x.25) F ST GUIDE	85			
		-	A	2-21000-7	SCR, SHC (8-32x.50) STRIPPER	84			
		-	A	3-21000-7	SCR, SHC (10-32x.75) FEED ROD GD	83			
		-	A	3-21000-6	SCR, SHC (10-32x.62) FD ADJ BLK	82			
		-	A	3-21000-4	SCR, SHC (10-32x.38) 5G ADJ BL	81			
		-	A	3-21000-4	SCR, SHC (10-32x.38) PIVOT BLK	80			
		-	B	455749-1	GUARD, WINDOW	79			
						78			
						77			
						76			
						75			
		-	A	690603-1	SPRING, ASSIST	74			
		-	A	23030-1	SCR, SHC (6-32x.25) CP DISC	73			
		-	A	458109-1	WASHER, SPECIAL	72			
		-	A	690517-1	SPACER	71			
						70			
						69			
						68			
						67			
						66			
						65			
						64			
						63			
						62			
						61			
						60			
						59			
						58			
						57			
						56			
						55			
						54			
						53			
						52			
						51			
						50			
						49			
						48			
						47			
						46			
						45			
						44			
						43			
						42			
						41			
						40			
						39			
						38			
						37			
						36			
						35			
						34			
						33			
						32			
						31			
						30			
						29			
						28			
						27			
						26			
						25			
						24			
						23			
						22			
						21			
						20			
						19			
						18			
						17			
						16			
						15			
						14			
						13			
						12			
						11			
						10			
						9			
						8			
						7			
						6			
						5			
						4			
						3			
						2			
						1			

REF	REF								
		-	B	22594-8	NUT, HEX (1/2-20)	70			
		-	B	240628-1	PLATE, ADJUSTMENT	69			
		-	B	240626-1	SHAFT, PIVOT	68			
		-	B	240633-1	BUSHING	67			
		-	A	455680-1	LEVER, INTERMEDIATE	66			
		-	B	240629-1	BLOCK, PIVOT	65			
		-	A	240632-2	SCREW, ADJ FEED ROD	64			
		-	B	240659-3	PIN, CAM ROLLER	63			
		-	B	240658-1	ROLLER, CAM	62			
		-	B	454398-2	ROD, FEED	61			
		-	A	454178-1	GUIDE, FEED ROD	60			
		-	C	454220-1	CAP, RAM	59			
		-	D	454485-1	HOUSING	58			
						57			
						56			
		-	B	690542-2	PAWL, FEED	55			
		-	B	240624-1	PIN, FEED FINGER	54			
		-	B	691499-1	SPRING, FEED FINGER	53			
		-	B	690541-1	HOLDER, FEED FINGER	52			
		-	A	455679-1	LEVER, TERMINAL FEED ARM	51			
						50			
						49			
		-	A	7-21002-9	BOLT, CRIMPER (5/16x1.00)	48			
		-	B	690602-5	CAM, PRE-FEED 1 1/8 ST	47			
		-	B	690501-4	CAM, POST-FEED 1 5/8 ST	46			
		-	B	459456-1	APPLICATOR, BASIC (SUBASSY)	45			
		-	A	690191-1	PLUG, NYLON	44			
		-	C	455673-1	RAM	43			
		-	A	690125-1	WASHER, LAMINATED	42			
		-	A	690124-1	WASHER, RAM	41			
						40			
		-	A	23241-6	BALL, STEEL	39			
		-	A	690170-1	SPRING, COMPRESSION	38			
		-	C	690142-1	DISC, INSULATION	37			
		-	B	5-690692-6	DISC, WIRE	36			
		-	A	22480-5	WASHER, SPRING	35			
		-	B	690212-1	POST, RAM	34			
						33			
		-	D	455675-1	PLATE, BASE	32			
		-	A	690432-3	SCREW, ADJUSTMENT	31			
						30			
		-	B	455689-1	BLOCK, STRIP GUIDE ADJ	29			
		-	C	1-458144-8	PLATE, STRIP GUIDE	28			
		-	C	1-455888-1	SPACER, FRONT SHEAR DEP	27			
		-	A	1-22284-0	SPRING, DRAG	26			
		-	B	240793-1	LEVER, DRAG RELEASE	25			
		-	B	240792-1	DRAG, TERMINAL	24			
		-	D	4-690504-9	GUIDE, STRIP (REAR)	23			
		-	A	690438-1	GUIDE, STRIP (FRONT)	22			
		-	B	690472-2	STRIPPER	21			
		-	A	4-22284-9	SPRING, FEED RETURN	20			
		-	B	458950-1	STRIPPER, WIRE STOP	19			
		-	B	690472-2					