



Chipsmall Limited consists of a professional team with an average of over 10 year of expertise in the distribution of electronic components. Based in Hongkong, we have already established firm and mutual-benefit business relationships with customers from,Europe,America and south Asia,supplying obsolete and hard-to-find components to meet their specific needs.

With the principle of "Quality Parts,Customers Priority,Honest Operation,and Considerate Service",our business mainly focus on the distribution of electronic components. Line cards we deal with include Microchip,ALPS,ROHM,Xilinx,Pulse,ON,Everlight and Freescale. Main products comprise IC,Modules,Potentiometer,IC Socket,Relay,Connector.Our parts cover such applications as commercial,industrial, and automotives areas.

We are looking forward to setting up business relationship with you and hope to provide you with the best service and solution. Let us make a better world for our industry!



Contact us

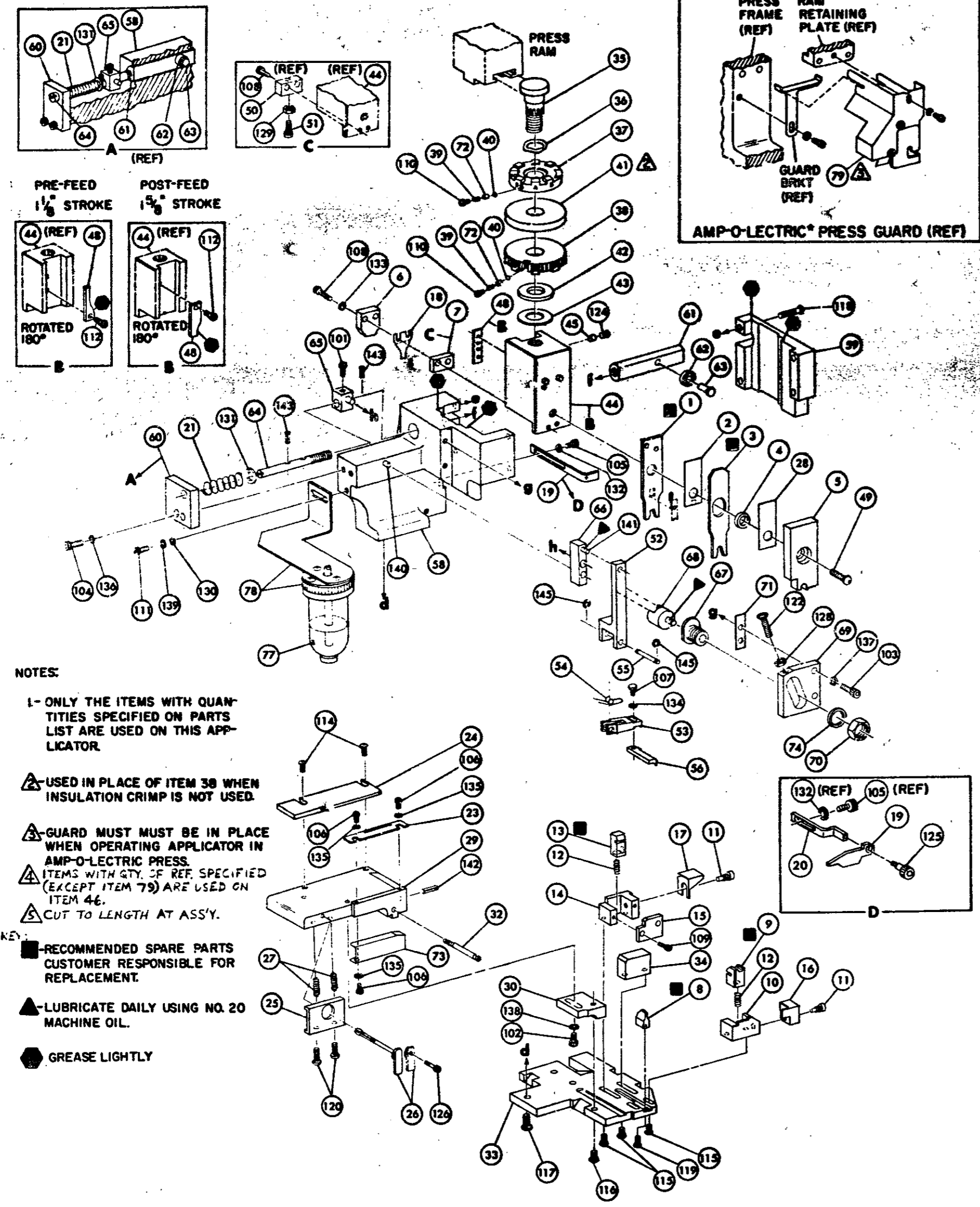
Tel: +86-755-8981 8866 Fax: +86-755-8427 6832

Email & Skype: info@chipsmall.com Web: www.chipsmall.com

Address: A1208, Overseas Decoration Building, #122 Zhenhua RD., Futian, Shenzhen, China



THIS DRAWING IS A CONTROLLED DOCUMENT.



NOTES:

- 1- ONLY THE ITEMS WITH QUANTITIES SPECIFIED ON PARTS LIST ARE USED ON THIS APPLICATOR.
- ▲ USED IN PLACE OF ITEM 30 WHEN INSULATION CRIMP IS NOT USED.
- ▲ GUARD MUST BE IN PLACE WHEN OPERATING APPLICATOR IN AMP-O-LECTRIC PRESS.
- ▲ ITEMS WITH QTY. OF REF SPECIFIED (EXCEPT ITEM 79) ARE USED ON ITEM 46.
- ▲ CUT TO LENGTH AT ASSY.
- RECOMMENDED SPARE PARTS CUSTOMER RESPONSIBLE FOR REPLACEMENT.
- ▲ LUBRICATE DAILY USING NO. 20 MACHINE OIL.
- GREASE LIGHTLY

REF	QTY	PART NO	DESCRIPTION	ITEM NO	REF	QTY	PART NO	DESCRIPTION	ITEM NO
REF	1	21045-3	RING, RETAINING 'C' (.187 DIA) FEED FINGER PIN	145	REF	1	454220-1	CAP, HOUSING	30
REF	1	4-21022-1	PIN, SLOT SPR (.125 DIA X .50) ADJ ROD	143	REF	1	454458-1	HOUSING	30
REF	1	4-21023-0	PIN, SLOT SPR (.093 DIA X .75) STR G PLATE	142	REF	1	690542-2	PAWL, FEED	30
REF	1	1-21030-1	PIN, DOWEL (.187 DIA X .50) LEVER	141	REF	1	240624-1	PIN, FEED FINGER	30
REF	1	1-21030-0	PIN, DOWEL (.187 DIA X 1.25) HOUSING	140	REF	1	601499-1	SPRING, FEED FINGER	30
REF	1	21024-5	WASHER, LOCK (NO 10) LUB ASSY	139	REF	1	600641-1	FINGER, FEED	30
REF	1	21024-5	WASHER, LOCK (NO 10) STRIP GUIDE ADJ BLOCK	138	REF	1	690679-1	LEVER, TERMINAL FEED ARM	30
REF	1	21024-5	WASHER, LOCK (NO 10) ADJ PLATE	137	REF	1	811242-2	BUSH, HOLD-DOWN	31
REF	1	21024-5	WASHER, LOCK (NO 10) FEED GUIDE ROD	136	REF	1	690753-1	SPACER, TONNER	30
REF	1	21057-2	WASHER, LOCK (NO 4) FRONT STRIP GUIDE	135	REF	1	7-21002-9	BOLT, CRIMPER	40
REF	1	21024-4	WASHER, LOCK (NO 8) FEED FINGER	134	REF	1	690402-5	CAM PRE-FEED 1/3 STROKE	40
REF	1	21024-4	WASHER, LOCK (NO 8) DEPRESSOR	133					
REF	1	21024-4	WASHER, LOCK (NO 8) STRIPPER	132					
REF	1	21899-4	WASHER, LOCK (5/16 DIA) SCREW ADJ	131					
REF	1	21899-2	WASHER, FLAT (NO 10) LUB ASSY	130					
REF	1	21068-5	NUT, HEX MACH (6-32) HOLD-DOWN	129					
REF	1	21068-5	NUT, HEX MACH (6-32) FEED ADJ	128					
				127					
				126					
				125					
				124					
REF	1	3-21064-2	SCR, RD HD MACH (6-32 X 1.50) FEED ADJ	123					
				122					
				121					
				120					
				119					
				118					
				117					
REF	1	3-21002-0	SCR, BHC (10-32 X .86) DRAG	116	REF	1	455689-1	BLOCK, STRIP GUIDE ADJ	30
				115					
				114					
				113					
				112					
				111					
				110					
				109					
				108					
				107					
				106					
				105					
				104					
				103					
				102					
				101					
				79					
				78					
				77					
				76					
				75					
				74					
				73					
				72					
				71					
				70					
				69					
				68					
				67					
				66					
				65					
				64					
				63					
				62					
				61					
				60					
				59					
				58					
				57					
				56					
				55					
				54					
				53					
				52					
				51					
				50					
				49					
				48					
				47					
				46					
				45					
				44					
				43					
				42					
				41					
				40					
				39					
				38					
				37					
				36					
				35					
				34					
				33					
				32					
				31					
				30					
				29					
				28					
				27					
				26					
				25					
				24					
				23					
				22					
				21					
				20					
				19					
				18					
				17					
				16					
				15					
				14					
				13					
				12					
				11					
				10					
				9					
				8					
				7					
				6					
				5					
				4					
				3					
				2					
				1					

CRIMPING DATA				APPLICATOR WILL APPLY																									
PAD LTR	CRIMP HEIGHT	WIRE SIZE	WIRE STRIP LENGTH	62505																									
A	.053	18																											
B	NOT USED																												
C	.049	20																											
D	.047	22																											
CRIMP WIRE	SIZE	TYPE	FEED	APPL INST																									
WIRE	.090	F	405	A1 8040																									
INSUL																													
WIRE RANGE	INSULATION RANGE		PRESS NO																										
22-18			565435-5																										
REMARKS																													
AMP-O-LECTRIC PRE-FEED																													
I.D. PLATE (REF: 461264-1)																													
<table border="1"> <tr> <td>REV</td> <td>DATE</td> <td>DESCRIPTION</td> </tr> <tr> <td>1</td> <td>0150-2572-02</td> <td>NS 16/38 SET UP GAGE 10-1</td> </tr> <tr> <td>2</td> <td>0150-6284-26</td> <td>EC 458437-1 917</td> </tr> <tr> <td>3</td> <td>0150-6575-56</td> <td>FB 1/50 DR 2-18 APP 7/14</td> </tr> <tr> <td>4</td> <td>0150-6124-95</td> <td>TE 5/82</td> </tr> <tr> <td>5</td> <td>REACT-0150-4470-2</td> <td>TE 5/82</td> </tr> <tr> <td>6</td> <td>OBS EC A-255740</td> <td>TE 5/82</td> </tr> <tr> <td>7</td> <td>ECN A163-2</td> <td>TE 5/82</td> </tr> </table>						REV	DATE	DESCRIPTION	1	0150-2572-02	NS 16/38 SET UP GAGE 10-1	2	0150-6284-26	EC 458437-1 917	3	0150-6575-56	FB 1/50 DR 2-18 APP 7/14	4	0150-6124-95	TE 5/82	5	REACT-0150-4470-2	TE 5/82	6	OBS EC A-255740	TE 5/82	7	ECN A163-2	TE 5/82
REV	DATE	DESCRIPTION																											
1	0150-2572-02	NS 16/38 SET UP GAGE 10-1																											
2	0150-6284-26	EC 458437-1 917																											
3	0150-6575-56	FB 1/50 DR 2-18 APP 7/14																											
4	0150-6124-95	TE 5/82																											
5	REACT-0150-4470-2	TE 5/82																											
6	OBS EC A-255740	TE 5/82																											
7	ECN A163-2	TE 5/82																											