



Chipsmall Limited consists of a professional team with an average of over 10 year of expertise in the distribution of electronic components. Based in Hongkong, we have already established firm and mutual-benefit business relationships with customers from,Europe,America and south Asia,supplying obsolete and hard-to-find components to meet their specific needs.

With the principle of "Quality Parts,Customers Priority,Honest Operation,and Considerate Service",our business mainly focus on the distribution of electronic components. Line cards we deal with include Microchip,ALPS,ROHM,Xilinx,Pulse,ON,Everlight and Freescale. Main products comprise IC,Modules,Potentiometer,IC Socket,Relay,Connector.Our parts cover such applications as commercial,industrial, and automotives areas.

We are looking forward to setting up business relationship with you and hope to provide you with the best service and solution. Let us make a better world for our industry!



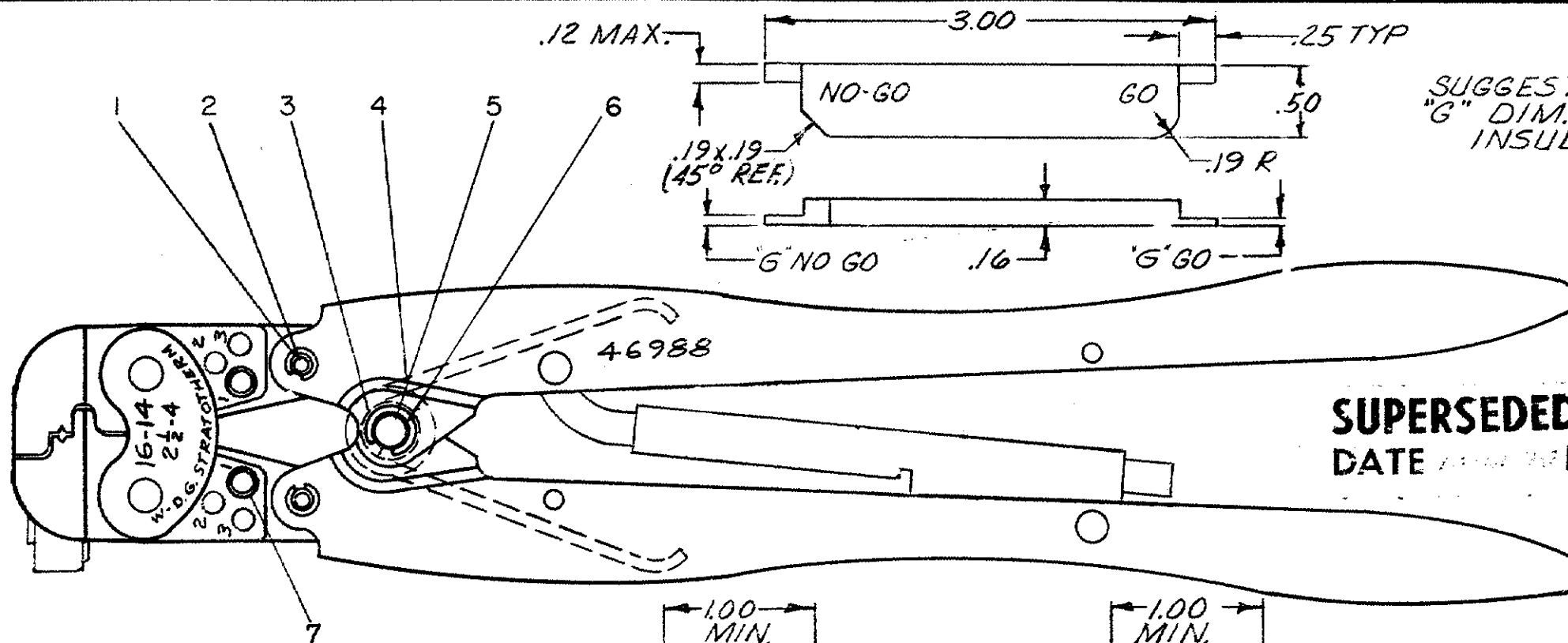
Contact us

Tel: +86-755-8981 8866 Fax: +86-755-8427 6832

Email & Skype: info@chipsmall.com Web: www.chipsmall.com

Address: A1208, Overseas Decoration Building, #122 Zhenhua RD., Futian, Shenzhen, China



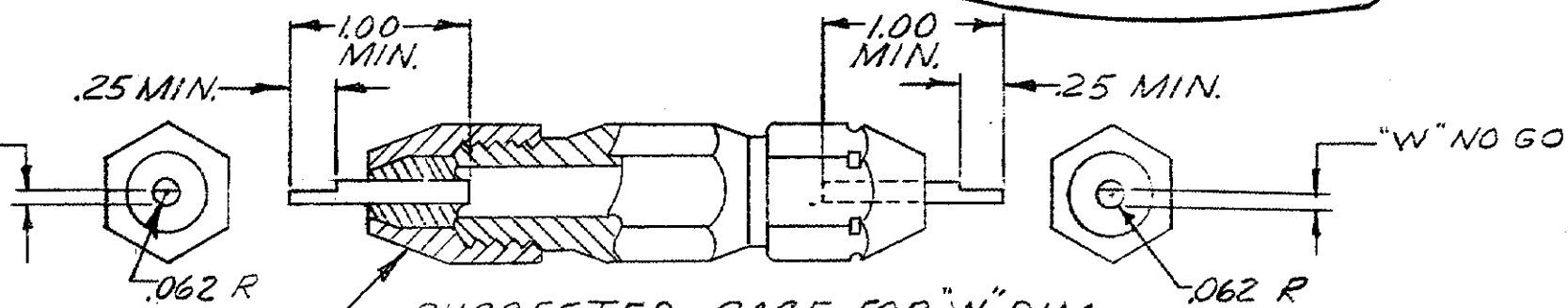


SUGGESTED GAGE FOR "G" DIM. INSULATION CRIMP

SUPERSEDED BY INSTRUCTION SHEET 1535
DATE *11-14-62* **ECN.**

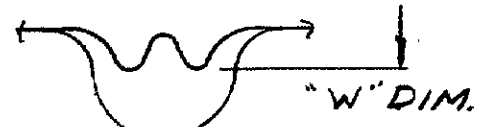
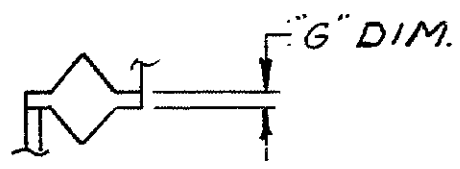
GAGE DIMENSIONS APPLY WHEN TOOL IS BOTTOMED BUT NOT UNDER PRESSURE.

FOR REPLACEMENT OF PARTS OTHER THAN LISTED, TOOL SHOULD BE RETURNED TO OUR FACTORY TO INSURE PROPER CERTI-CRIMP ADJUSTMENT.



SUGGESTED GAGE FOR "W" DIM. BARREL CRIMP

DOUBLE END HANDLE A.G.D. STANDARD



INSULATION CRIMP

BARREL CRIMP

2	A	39207	PIN-ADJUSTMENT	7
2	A	21045-6	RING-RETAINING	6
1	A	300449	PIN-RETAINING	5
1	A	39364	SPRING	4
1	A	39366	COLLAR	3
2	A	300432	PIN-RETAINING	2
4	A	21045-3	RING-RETAINING	1

GAGE DIM.			
"G" AT POS. #1		"W" DIM.	
GO	NOGO	GO	NOGO
.045	.065	.067	.073

REV	DESCRIPTION	BY	CHK	DATE
G	SUPERSEDED BY I.S. 1535	EJF	10-21-70	
F	REVISED	B.S. DJF	4-29-67	
E	REVISED	B.S. DJF	4-29-67	
D	REVISED	C.M. C.M.	12-22-63	
C	REVISED	C.M. C.M.	1-23-63	
B	REVISED	R.Y. DJF	6-14-62	

REV	DESCRIPTION	BY	CHK	DATE
46988	46988			

DWG SIZE	NUMBER	NAME	REMARKS	ITEM NO.
©1959 BY AMP INCORPORATED. ALL RIGHTS RESERVED. AMP PRODUCTS COVERED BY PATENTS AND/OR PATENTS PENDING.				
MATERIAL AND FINISH <i>Handwritten: 4-24-62</i>			CUSTOMER COPY REFERENCE ONLY AMP AMP INCORPORATED HARRISBURG, PENNA.	
WIRE RANGE 16-14			CLASS HIGH TEMPERATURE & HEAT RESISTANT TYPE "W" DIAMOND GRIP STRATOTHERM	
TOLERANCE EXCEPT AS NOTED .015		SCALE 1/2" = 1"	LOC M	NO B 46988
NAME <i>Handwritten: E.J. Frank 6-14-62</i>			HAND TOOL ASSEMBLY	

PRINTED IN U.S.A. DIMENSIONS IN INCHES (10 NOT SCALE PRINT)

8 | 7 | 6 | 5 | 4 | 3 | 2 | 1